

## Regulator

RGKM6C

COMPONENT ONLY Regulator Add-On Gooseneck Single Inlet Spout with Two-Tone Wheel Handle



SHOWN IN COMPONENT ONLY REGULATOR ADD-ON GOOSENECK SINGLE INLET SPOUT WITH TWO-TONE WHEEL HANDLE | RGKM6C

### INSPIRATION

A play on industrial controls from the early 1900s, when pride was lavished on parts. Translated to handcrafted, fittings project rugged beauty through powerful, detailed shapes.

### PRODUCT FEATURES

Stocked in Nickel and Brass

Two-Tone Wheel Handle controls volume and on off

Requires RGKM20 for Installation

Spout Installation can be left or right, Center Bar can be field cut or removed

### TECHNICAL DETAILS

Deck Thickness Maximum: 56 mm  
Deck Thickness Minimum: 6 mm  
Fittings Hole Diameter: 44 mm  
Handle Turn Angle: Quarter Turn  
Inlet Connection Size: 1/2"  
Inlet Connection Type: Female Straight  
Water Pressure Maximum: 6.0 bar  
Water Pressure Minimum: 1.5 bar  
Water Pressure Recommended: 3.0 bar

### CODES & STANDARDS

RGKM6C-F,RX, NSF/ANSI/CAN 61:Q < 1, NSF/ANSI/CAN 372, CEC

### CERTIFICATIONS

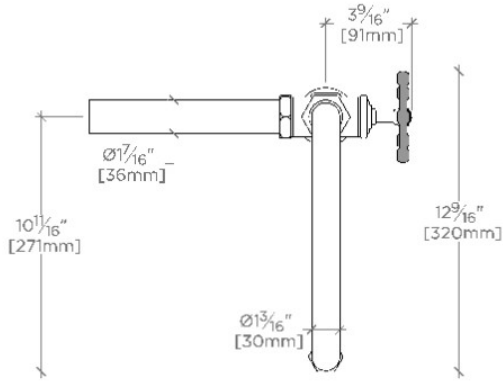
### PRODUCT (NOTES)

# WATERWORKS

## Regulator

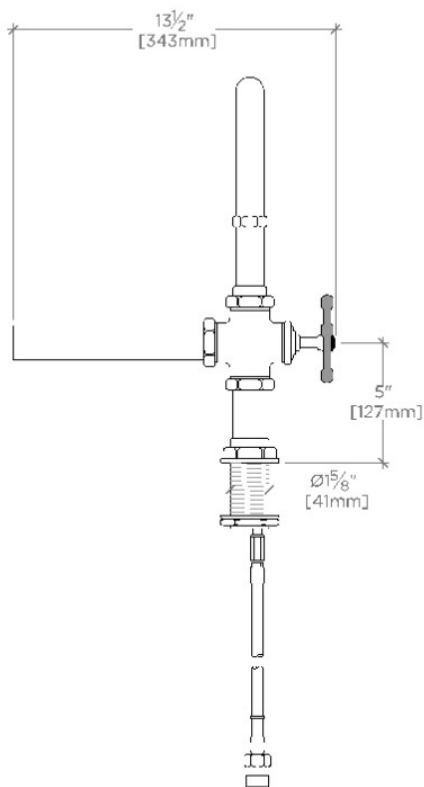
RGKM6C

COMPONENT ONLY Regulator Add-On Gooseneck Single Inlet Spout with Two-Tone Wheel Handle



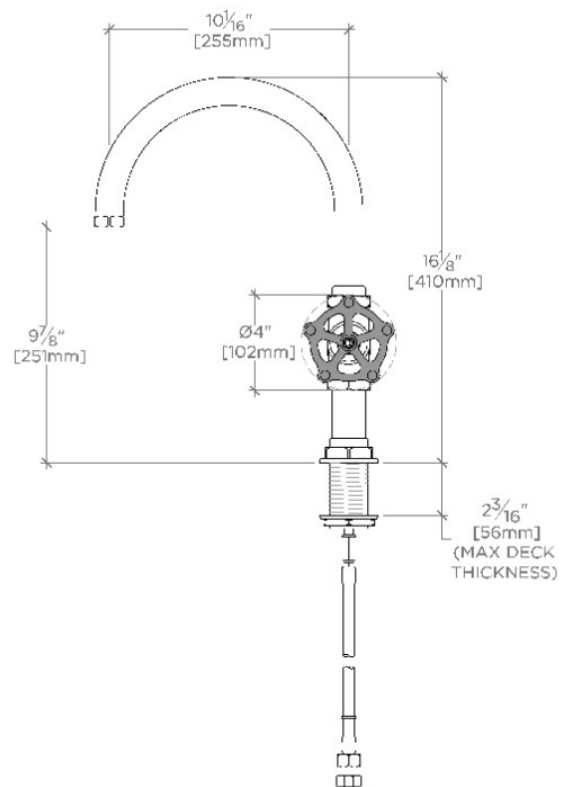
TOP VIEW

SCALE: 1 1/2"=1'-0"



FRONT VIEW

SCALE: 1 1/2"=1'-0"



SIDE VIEW

SCALE: 1 1/2"=1'-0"