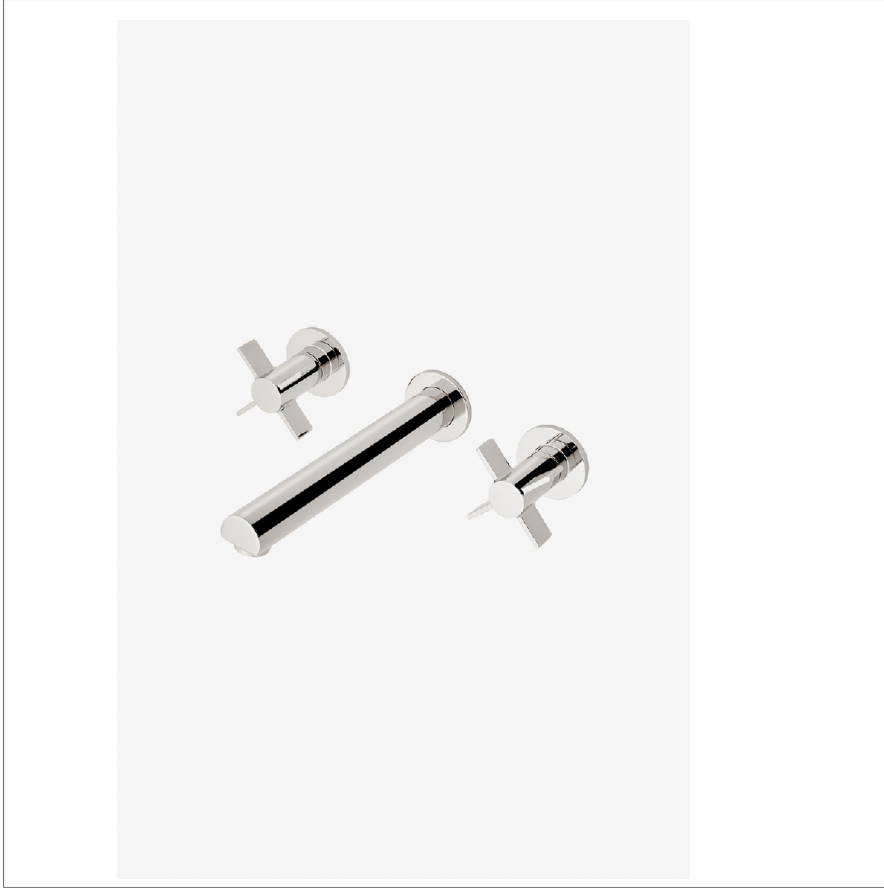


Finot

NLS710

Finot Wall Mounted Lavatory Faucet with Cross Handles



SHOWN IN FINOT WALL MOUNTED LAVATORY FAUCET WITH CROSS HANDLES | NLS710

TECHNICAL DETAILS

Deck Thickness Maximum: 44 mm
 Deck Thickness Minimum: 6 mm
 Drain Depth Maximum: 51 mm
 Drain Depth Minimum: 10 mm
 Drain Hole Diameter: 38 mm
 Drain Style: Push Touch
 Fittings Hole Diameter: 35 mm
 Handle Spread Maximum: 203 mm
 Handle Spread Minimum: 203 mm
 Handle Turn Angle: Quarter Turn
 Inlet Connection Size: 1/2"
 Inlet Connection Type: Female NPT
 Inlet Supply Spread Maximum: 203 mm
 Inlet Supply Spread Minimum: 203 mm
 Number Of Holes: Three Hole
 Primary Material: Brass
 Restricted Maximum Flow Rate: 4.5 liters/min
 Spout Swivel: N
 Valve Material: Ceramic
 Water Pressure Maximum: 6.0 bar
 Water Pressure Minimum: 1.5 bar
 Water Pressure Recommended: 3.0 bar

INSPIRATION

Finot seamlessly blends meticulous details with contemporary sensibility. A true integration of design and engineering expertise, this collection is comprised of parts that are decisively cast and forged to achieve painstaking precision and refinement.

CODES & STANDARDS

NLS710X, NSF/ANSI/CAN 61:Q < 1, ASME A112.18.1/CSA B125.1, CEC

PRODUCT FEATURES

Cross Handles

Includes Universal Push-Touch Drain (UNLD23) which fits 1-1/2" through 1-3/4" drain hole openings

Available in 1.2gpm (4.5L/min) flow rate

Stocked In Chrome, Nickel, Brass and Dark Nickel

CERTIFICATIONS

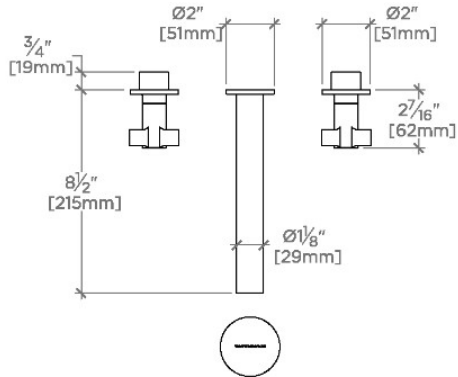


PRODUCT (NOTES)

Finot

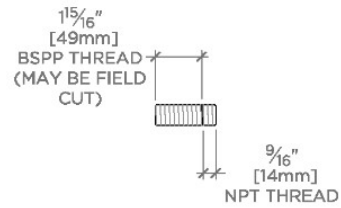
NLS710

Finot Wall Mounted Lavatory Faucet with Cross Handles

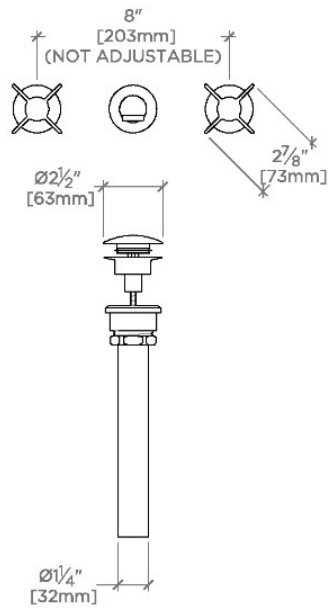


TOP VIEW

SCALE: 1 1/2"=1'-0"

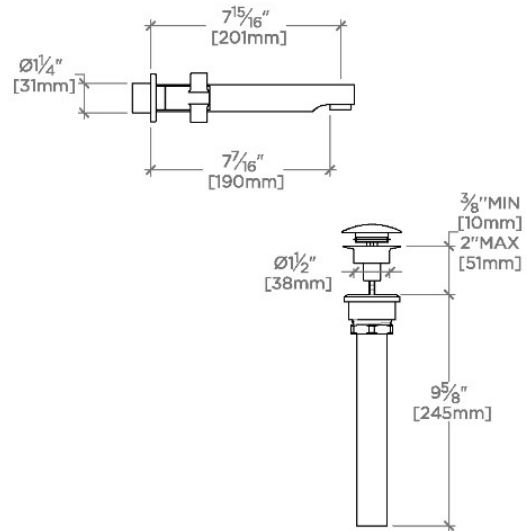


ADAPTER INCLUDED-
INTERNATIONAL USE ONLY



FRONT VIEW

SCALE: 1 1/2"=1'-0"



SIDE VIEW

SCALE: 1 1/2"=1'-0"