

BOULEVARD

BDTF88

Boulevard Low Profile Concealed Tub Filler With Handshower and Metal Lever Handles



SHOWN IN BOULEVARD LOW PROFILE CONCEALED TUB FILLER WITH HANDSHOWER AND METAL LEVER HANDLES | BDTF88

TECHNICAL DETAILS

ADA Compliance: No
 Adjustable Versus Fixed Spray: Fixed Spray
 Deck Thickness Maximum: 1 11/16"
 Deck Thickness Minimum: 0"
 Depth/Width: 11"
 Diameter Of Head: 2"
 Escutcheon Primary Material: Brass
 Fittings Hole Diameter: 1 3/8"
 Flow Restriction Options: 2.5, 2.0, 1.75, 1.5, 0.92
 Handle Spread Maximum: 12"
 Handle Spread Minimum: 10"
 Handle Turn Angle: Quarter Turn
 Handshower Spray Hose Length: 79"
 Height: 6"
 Index Marking: Blank
 Inlet Connection Size: 3/4"
 Inlet Connection Type: Male NPT Adapter
 Inlet Supply Spread Maximum: 12"
 Inlet Supply Spread Minimum: 10"
 Installation Type: Deck Mounted
 Integrated Diverter: N
 Length: 13"
 Number Of Handles: Two
 Number Of Holes: Four Hole
 Pivot: N
 Primary Material: Brass
 Spout Swivel: N
 Suggested Application: Bath
 Valve Material: ceramic
 Water Pressure Maximum: 85.0 psi
 Water Pressure Minimum: 20.0 psi
 Water Pressure Recommended: 45.0 psi

INSPIRATION

Inspiration from 1930s objects evokes extravagance: a strong silhouette, lavish scale and elegant decoration. Machine and artisan hands yield crisp details and curves.

CODES & STANDARDS

ASME A112.18.1/CSA B125.1, Waterworks Handshowers use check valves compliant to ASME A112.18.3 for backflow protection. CEC, State of MA

PRODUCT FEATURES

Metal lever handles

Lift knob located on top of spout to divert water between tub and handshower with 2" head and adjustable spray

Solidly sized and generous in scale, decorative elements convey a sense of substance

Stocked in Nickel and Unlacquered Brass

Unrestricted flow for tub spout. Stocked in 2.5gpm (9.5L/min) flow rate for handshower. Alternate flow regulation of 1.75gpm (6.6/min) also available as special order

CERTIFICATIONS



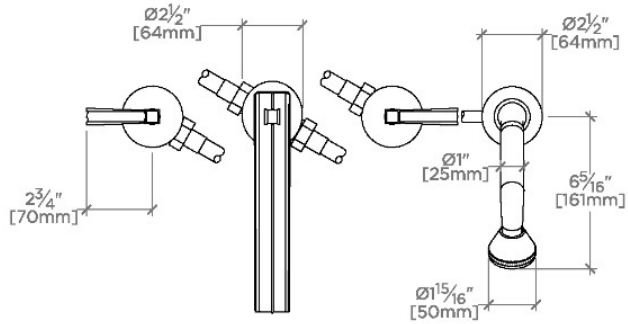
PRODUCT (NOTES)

WATERWORKS

BOULEVARD

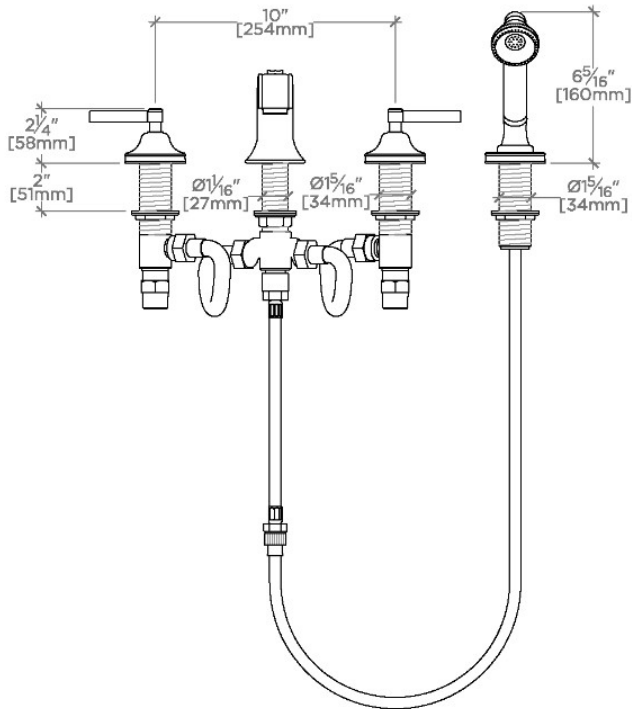
BDTF88

Boulevard Low Profile Concealed Tub Filler With Handshower and Metal Lever Handles



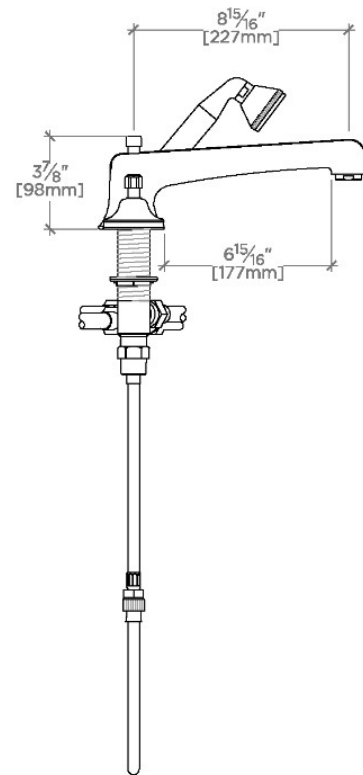
TOP VIEW

SCALE: 1 $\frac{1}{2}''$ = 1'-0"



FRONT VIEW

SCALE: 1 $\frac{1}{2}''$ = 1'-0"



SIDE VIEW

SCALE: 1 $\frac{1}{2}''$ = 1'-0"