

## CATIA

CI01LT

Catia Mini Wall Mounted Single Arm Sconce with Shade



### TECHNICAL DETAILS

Ambient / Task: Ambient  
Bulb Type: Dedicated LED  
Depth / Width: 3306 mm  
Height: 5484 mm  
Installation Type: Wall Mounted  
Interior / Exterior Application: Interior Only  
Junction Box Orientation: Vertical  
Length: 2299 mm  
Light Direction: Omnidirectional from wall surface  
Number of Bulbs: One  
Orientation: Up  
Primary Material: Brass  
Safety Warnings: ALWAYS DISCONNECT THE POWER BEFORE INSTALLING AND BEFORE CLEANING OR OTHER MAINTENANCE. CONSULT A QUALIFIED, LICENSED ELECTRICIAN TO ENSURE CORRECT BRANCH CIRCUIT CONDUCTOR  
Shade Finish: White or Black  
Shade Material: Etched Blown Cased Glass or Metal  
Shade Shape: Tapered Cylinder  
Suggested Application: All Applications  
Voltage: 240V  
Wet / Dry: Damp or Dry

### INSPIRATION

Traditional sconce lighting, reinterpreted in a modern way. In this classic design, familiar silhouettes are reduced to their minimalist essence.

### CODES & STANDARDS

CE

### PRODUCT FEATURES

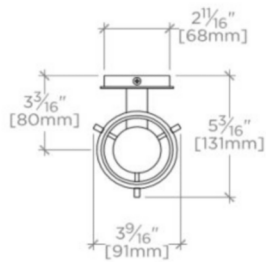
Proprietary design  
Solid brass with white glass or black metal shade  
CE rated  
Mounts vertically  
Dimmable LED fixture - 50,000 hours of life

# WATERWORKS

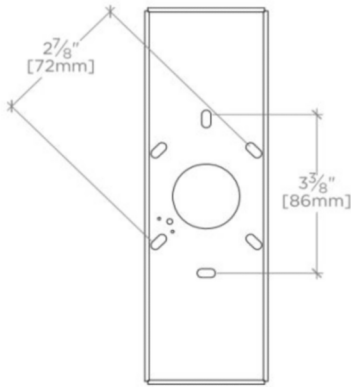
## CATIA

CI01LT

Catia Mini Wall Mounted Single Arm Sconce with Shade



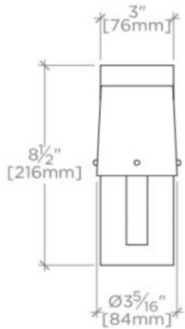
TOP VIEW SCALE:  $1\frac{1}{2}$ "=1'-0"



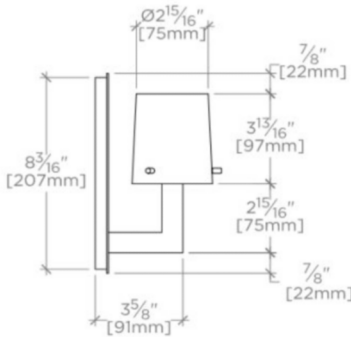
MOUNTING PLATE SCALE: 3"=1'-0"



ISO VIEW SCALE:  $1\frac{1}{2}$ "=1'-0"



FRONT VIEW SCALE:  $1\frac{1}{2}$ "=1'-0"



SIDE VIEW SCALE:  $1\frac{1}{2}$ "=1'-0"