

## FINOT

## NKM360

Finot Three Hole Kitchen Mixer with Slope Lever Handle and Integrated Pull Spray



SHOWN IN FINOT THREE HOLE KITCHEN MIXER WITH SLOPE LEVER HANDLE AND INTEGRATED PULL SPRAY | NKM360

### TECHNICAL DETAILS

ADA Compliance: Yes  
Deck Thickness Maximum: 44 mm  
Deck Thickness Minimum: 6 mm  
Fittings Hole Diameter: 35 mm  
Handle Turn Angle: Quarter Turn  
Inlet Connection Size: 1/2"  
Inlet Connection Type: Male with Supply Nut  
Inlet Supply Spread Maximum: 305 mm  
Inlet Supply Spread Minimum: 203 mm  
Restricted Maximum Flow Rate: 6.6 liters/min  
Spout Swivel: Y  
Water Pressure Maximum: 6.0 bar  
Water Pressure Minimum: 1.5 bar  
Water Pressure Recommended: 3.0 bar

### INSPIRATION

Finot seamlessly blends meticulous details with contemporary sensibility. A true integration of design and engineering expertise, this collection is comprised of parts that are decisively cast and forged to achieve painstaking precision and refinement.

### CODES & STANDARDS

NKM360X, NSF/ANSI/CAN 61:Q < 1, NSF/ANSI/CAN 372, ASME A112.18.1/CSA B125.1

### PRODUCT FEATURES

#### Slope Handle

The pull-out spray faucet switches between an aerated stream and a jet spray, with a sliding button that locks the spray mode.

Stocked in Chrome, Nickel, Brass and Dark Nickel

### CERTIFICATIONS



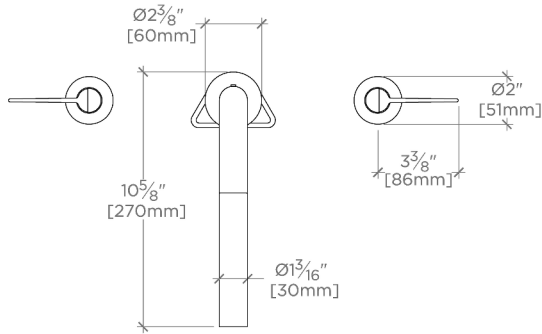
### PRODUCT (NOTES)

# WATERWORKS

## FINOT

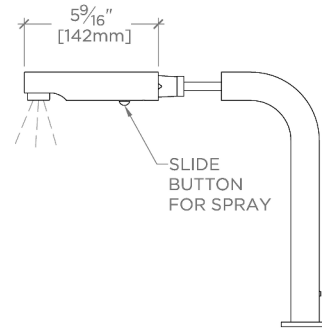
## NKM360

Finot Three Hole Kitchen Mixer with Slope Lever Handle and Integrated Pull Spray

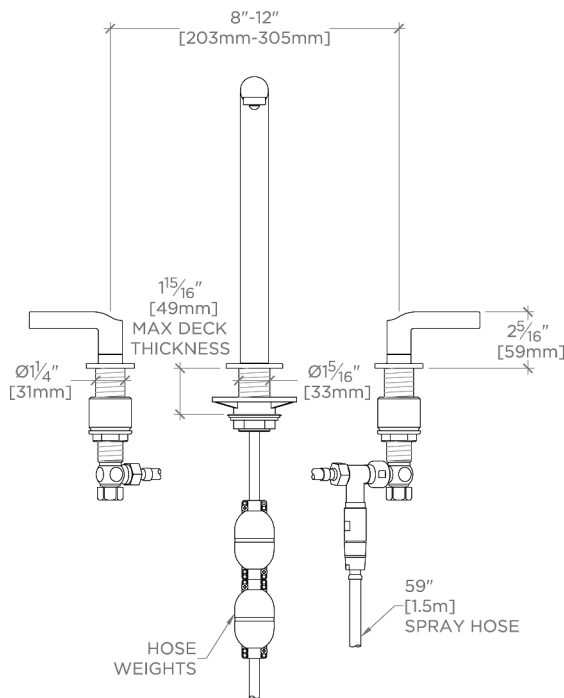


TOP VIEW

SCALE: 1/2"=1'-0"

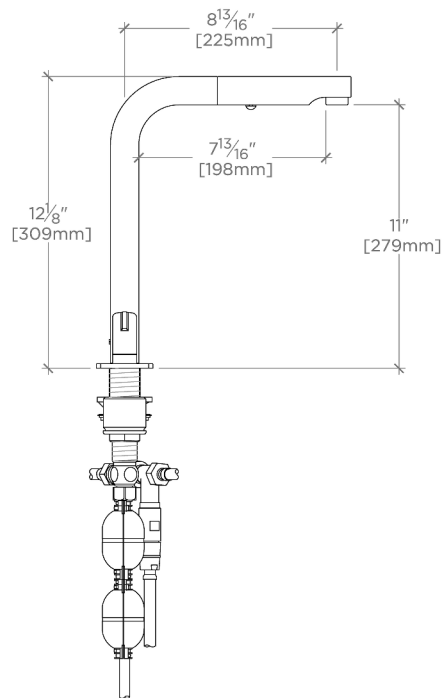


SPRAY OPERATION



FRONT VIEW

SCALE: 1/2"=1'-0"



SIDE VIEW

SCALE: 1/2"=1'-0"