

Henry

HLS301

Henry Wall Mounted Lavatory Faucet with Cross Handles



SHOWN IN HENRY WALL MOUNTED LAVATORY FAUCET WITH CROSS HANDLES | HLS301

TECHNICAL DETAILS

ADA Compliance: Yes
Drain Depth Maximum: 51 mm
Drain Depth Minimum: 10 mm
Drain Hole Diameter: 38 mm
Drain Style: Push Touch
Fittings Hole Diameter: 35 mm
Flow Restriction Options: 1.2
Handle Spread Maximum: 203 mm
Handle Spread Minimum: 203 mm
Handle Turn Angle: Quarter Turn
Inlet Connection Size: 1/2"
Inlet Connection Type: Female NPT and Male BSPP
Inlet Supply Spread Maximum: 203 mm
Inlet Supply Spread Minimum: 203 mm
Number Of Holes: Three Hole
Primary Material: Brass
Restricted Maximum Flow Rate: 4.5 liters/min
Spout Swivel: N
Valve Material: Brass and Ceramic
Water Pressure Maximum: 6.0 bar
Water Pressure Minimum: 1.5 bar
Water Pressure Recommended: 3.0 bar

INSPIRATION

Influenced by the connection of industry and art Henry easily transitions between modern, traditional, utilitarian and classic settings.

CODES & STANDARDS

HLS301X, NSF/ANSI/CAN 61:Q < 1, NSF/ANSI/CAN 372, ASME A112.18.1/CSA B125.1, CEC, DOE, State of MA

PRODUCT FEATURES

Cross Handles

Includes a Universal Push Touch Drain Sized to Fit US and Euro Sink Drain Openings

Stocked in Chrome, Nickel, Brass and Dark Nickel

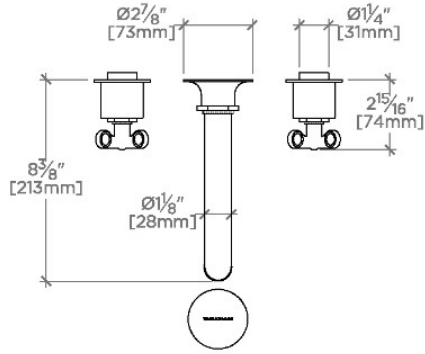
Available in 1.2gpm (4.5L/min) Flow Rate

CERTIFICATIONS



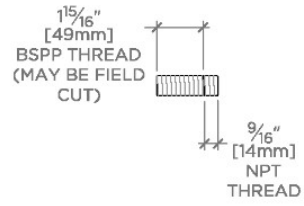
PRODUCT (NOTES)

Henry Wall Mounted Lavatory Faucet with Cross Handles



TOP VIEW

SCALE: 1/2"=1'-0"

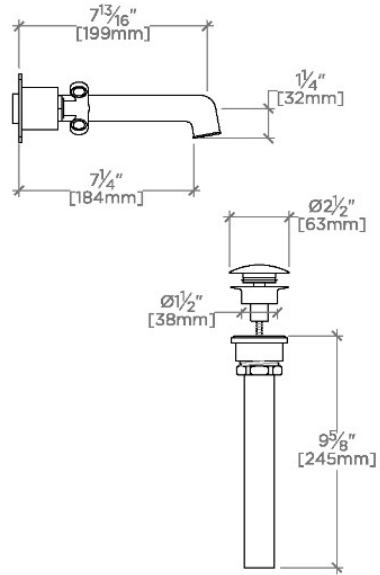


ADAPTER INCLUDED -
INTERNATIONAL USE ONLY



FRONT VIEW

SCALE: 1/2"=1'-0"



SIDE VIEW

SCALE: 1/2"=1'-0"