

## HIGHGATE

HGTH22

Highgate Integrated Thermostatic and Diverter Trim with Cross Handle



SHOWN IN HIGHGATE INTEGRATED THERMOSTATIC AND DIVERTER TRIM WITH CROSS HANDLE | HGTH22

### TECHNICAL DETAILS

ADA Compliance: Yes  
Integrated Diverter: Y  
Number Of Holes: One Hole  
Primary Material: Brass

### INSPIRATION

Our take on old English style: simple, functional shapes, detailed with white porcelain indices and hexagonal accents for a timeless feel.

### CODES & STANDARDS

ASME A112.18.1/CSA B125.1, State of MA

### PRODUCT FEATURES

Features Cross Handle

Smooth handle operation with haptic "clicks" at each diverter position for tactile feedback

A solid brass trim plate features engraved TEMPERATURE along with H and C markings.

Stocked in Chrome, Nickel and Brass

Requires rough valve, sold separately: GUTH62 or GUTH63 (USA) or GU62TH or GU63TH (UK/International)

### CERTIFICATIONS

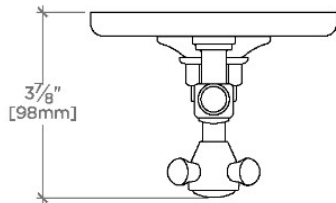


### PRODUCT (NOTES)

## HIGHGATE

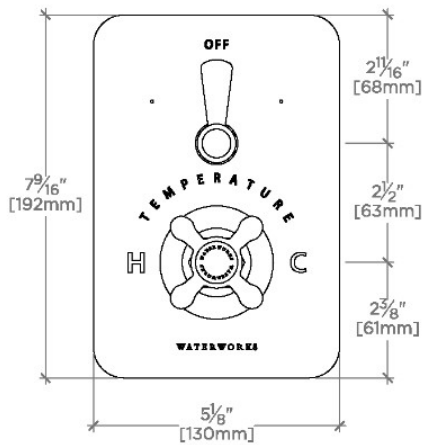
HGTH22

Highgate Integrated Thermostatic and Diverter Trim with Cross Handle



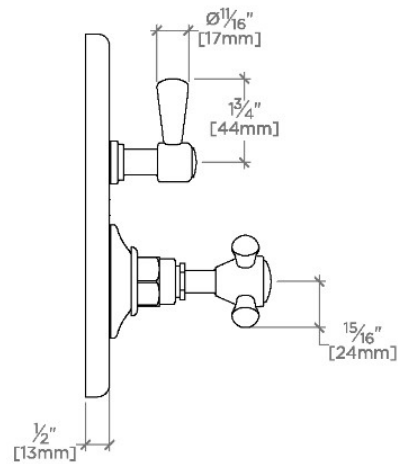
TOP VIEW

SCALE: 3"=1'-0"



FRONT VIEW

SCALE: 3"=1'-0"



SIDE VIEW

SCALE: 3"=1'-0"