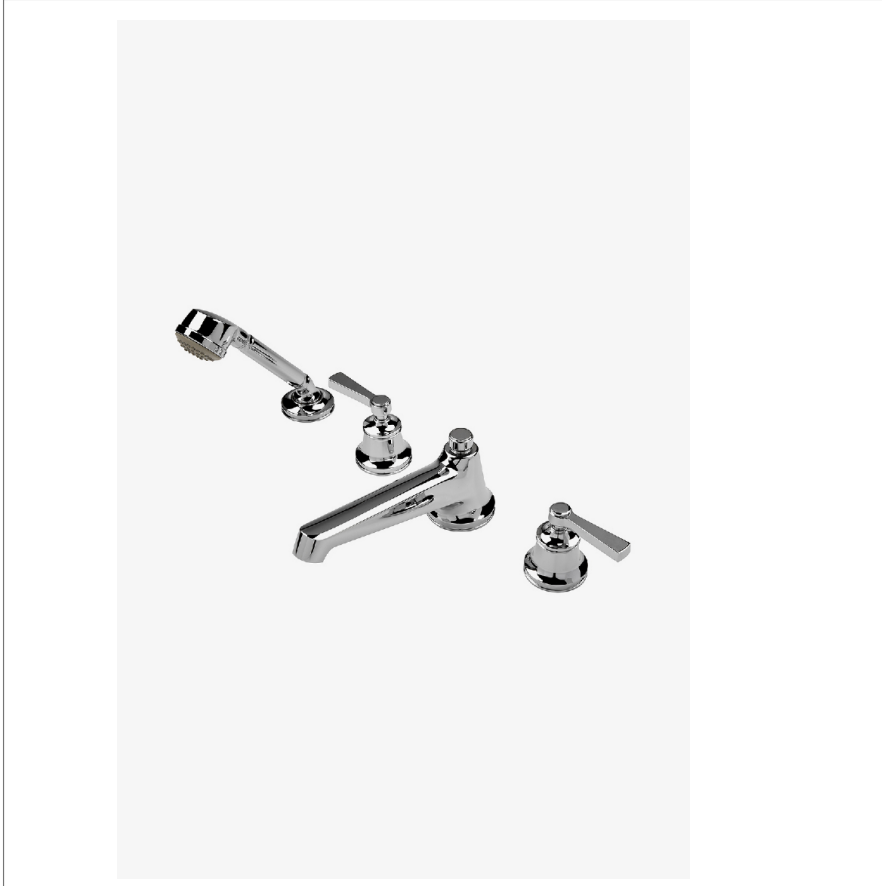


## Transit

TRTF10

Transit Concealed Tub Filler with Handshower and Lever Handles



SHOWN IN TRANSIT CONCEALED TUB FILLER WITH HANDSHOWER AND LEVER HANDLES | TRTF10

### TECHNICAL DETAILS

ADA Compliance: Yes  
 Adjustable Versus Fixed Spray: Fixed Spray  
 Deck Thickness Maximum: 37 mm  
 Deck Thickness Minimum: 10 mm  
 Depth/Width: 252 mm  
 Diameter Of Head: 56 mm  
 Escutcheon Primary Material: Brass  
 Fittings Hole Diameter: 38 mm  
 Flow Restriction Options: 1.75, 1.5  
 Handle Spread Maximum: 305 mm  
 Handle Spread Minimum: 254 mm  
 Handle Turn Angle: Quarter Turn  
 Handshower Spray Hose Length: 2.0 m  
 Height: 187 mm  
 Index Marking: Blank  
 Inlet Connection Size: 3/4"  
 Inlet Connection Type: Male NPT Adapter  
 Inlet Supply Spread Maximum: 305 mm  
 Inlet Supply Spread Minimum: 254 mm  
 Installation Type: Deck Mounted  
 Integrated Diverter: N  
 Integrated Spray: N  
 Length: 489 mm  
 Number Of Handles: Two  
 Number Of Holes: Four Hole  
 Pivot: N  
 Primary Material: Brass  
 Restricted Maximum Flow Rate: 7.6 liters/min  
 Spout Swivel: N  
 Suggested Application: Bath  
 Valve Material: Ceramic  
 Water Pressure Maximum: 6.0 bar  
 Water Pressure Minimum: 1.5 bar  
 Water Pressure Recommended: 3.0 bar

### INSPIRATION

Stylish simplicity that fits into any decor. Each design represents a sophisticated mix of modern and traditional influences, streamlined into a sculpted and tapered look.

### CODES & STANDARDS

ASME A112.18.1/CSA B125.1, Waterworks Handshowers use check valves compliant to ASME A112.18.3 for backflow protection. CEC, State of MA

### PRODUCT FEATURES

Lever Handles

Diverter Knob Allows Bather to Move Water From Spout to Handshower

Handshower offers a fixed spray pattern

Stocked in Chrome, Nickel and Brass

Unrestricted Flow for Tub Spout. Handshower Available in 1.75gpm (4.5L/min) Flow Rate

### CERTIFICATIONS

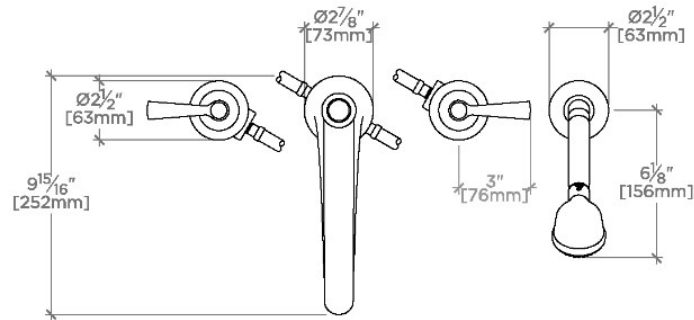


### PRODUCT (NOTES)

## Transit

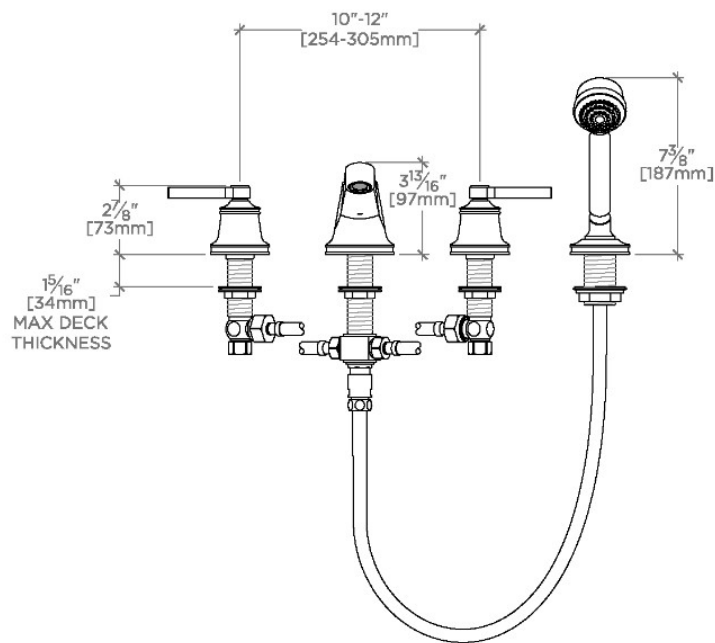
TRTF10

Transit Concealed Tub Filler with Handshower and Lever Handles



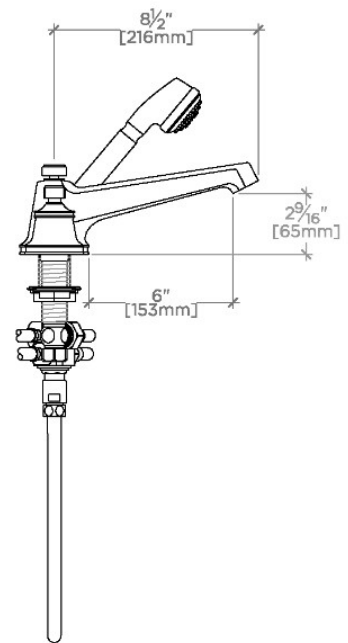
TOP VIEW

SCALE: 1/2"=1'-0"



FRONT VIEW

SCALE: 1/2"=1'-0"



SIDE VIEW

SCALE: 1/2"=1'-0"