

UNIVERSAL

USHS15

Universal Recessed 15" Square Rain Showerhead with Square Spray Pattern



SHOWN IN UNIVERSAL RECESSED 15" SQUARE RAIN SHOWERHEAD WITH SQUARE SPRAY PATTERN | USHS15

TECHNICAL DETAILS

Adjustable Versus Fixed Spray: Fixed Spray
 Fittings Hole Diameter: 1/2"
 Inlet Connection Size: 1/2"
 Inlet Connection Type: Female Hose
 Pivot: N
 Primary Material: Brass
 Restricted Maximum Flow Rate: 1.75 gpm
 Water Pressure Maximum: 85.0 psi
 Water Pressure Minimum: 20.0 psi
 Water Pressure Recommended: 45.0 psi

INSPIRATION

Our Universal collection features timeless designs complementing any of our Waterworks. With a wide range of product, from fittings to accessories, Universal adds exquisite proportion and balance to any environment.

CODES & STANDARDS

USHS15X, ASME A112.18.1/CSA B125.1, CEC(1.5GPM & 1.75GPM Only), WaterSense(1.5GPM, 1.75GPM & 2.0GPM Only), DOE, State of MA

PRODUCT FEATURES

- Made of Brass
- 15" ceiling mounted rain showerhead
- 168 easy clean rubber nozzles prevent calcium buildup
- Stocked in Brass, Chrome, Nickel and Matte Nickel
- Rain showerhead available in 1.75gpm (6.6L/min) flow rate

CERTIFICATIONS

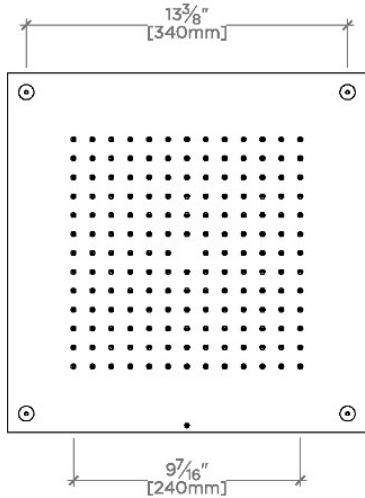


PRODUCT (NOTES)

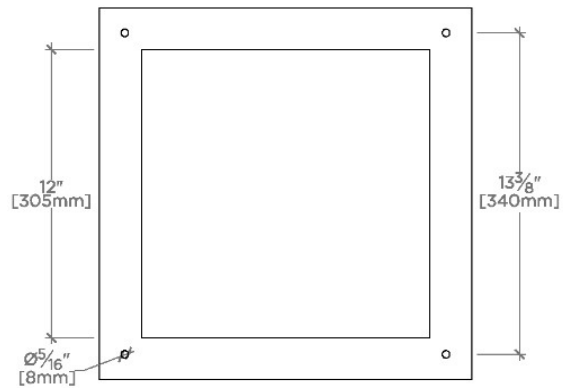
UNIVERSAL

USHS15

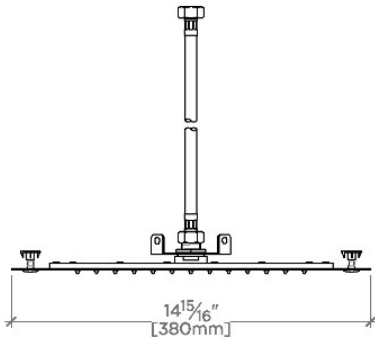
Universal Recessed 15" Square Rain Showerhead with Square Spray Pattern



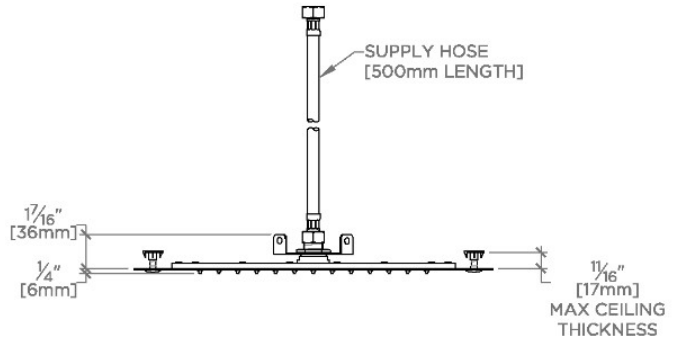
CEILING VIEW SCALE: $1\frac{1}{2}"=1'-0"$



CUTOUT VIEW SCALE: $1\frac{1}{2}"=1'-0"$



FRONT VIEW SCALE: $1\frac{1}{2}"=1'-0"$



SIDE VIEW SCALE: $1\frac{1}{2}"=1'-0"$