

WATERWORKS

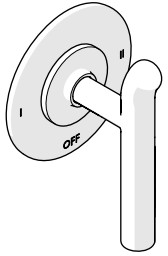
INSTALLATION GUIDELINES

STYLE No. B2T110, B2T12A, B2T12B, B2T12C, B2T12D, B2T130, B2T14A, B2T14B, B2T14D, B2T15C

Bond Two Way Diverter Trim

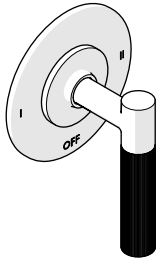
STYLE No. B3T110, B3T12A, B3T12B, B3T12C, B3T12D, B3T130, B3T14A, B3T14B, B3T14D, B3T15C

Bond Three Way Diverter Trim



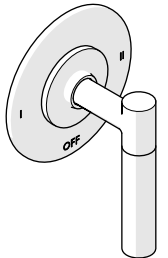
STYLE No. B2T110
Bond Solo Series Two Way Diverter Trim with Lever Handle

- **STYLE No.** UN2TR1
Universal Two Way Diverter Valve Trim for Thermostatic with Roman Numerals
- **STYLE No.** BVC100
Bond Trim Adapter for Wall Mounted Handle
- **STYLE No.** BLH010
Bond Solo Series Lever Handle



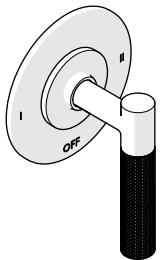
STYLE No. B2T12A
Bond Tandem Series Two Way Diverter Trim with Guilloche Lines Lever Handle

- **STYLE No.** UN2TR1
Universal Two Way Diverter Valve Trim for Thermostatic with Roman Numerals
- **STYLE No.** BVC100
Bond Trim Adapter for Wall Mounted Handle
- **STYLE No.** BLH02A
Bond Tandem Series Guilloche Lines Lever Handle



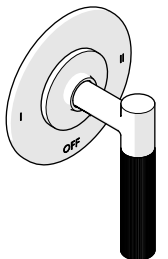
STYLE No. B2T12B
Bond Tandem Series Two Way Diverter Trim with Two-Tone Lever Handle

- **STYLE No.** UN2TR1
Universal Two Way Diverter Valve Trim for Thermostatic with Roman Numerals
- **STYLE No.** BVC100
Bond Trim Adapter for Wall Mounted Handle
- **STYLE No.** BLH02B
Bond Tandem Series Two-Tone Lever Handle



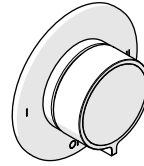
STYLE No. B2T12C
Bond Union Series Two Way Diverter Trim with Guilloche Link Lever Handle

- **STYLE No.** UN2TR1
Universal Two Way Diverter Valve Trim for Thermostatic with Roman Numerals
- **STYLE No.** BVC100
Bond Trim Adapter for Wall Mounted Handle
- **STYLE No.** BLH02C
Bond Union Series Guilloche Link Lever Handle



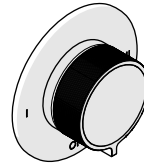
STYLE No. B2T12D
Bond Union Series Two Way Diverter Trim with Enamel Guilloche Lines Lever Handle

- **STYLE No.** UN2TR1
Universal Two Way Diverter Valve Trim for Thermostatic with Roman Numerals
- **STYLE No.** BVC100
Bond Trim Adapter for Wall Mounted Handle
- **STYLE No.** BLH02D
Bond Union Series Enamel Guilloche Lines Lever Handle



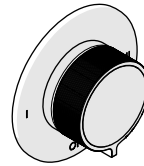
STYLE No. B2T130
Bond Solo Series Two Way Diverter Trim with Knob Handle

- **STYLE No.** UN2TR1
Universal Two Way Diverter Valve Trim for Thermostatic with Roman Numerals
- **STYLE No.** BVC100
Bond Trim Adapter for Wall Mounted Handle
- **STYLE No.** BKH030
Bond Solo Series Knob Handle



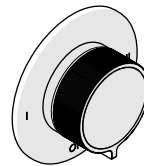
STYLE No. B2T14A
Bond Tandem Series Two Way Diverter Trim with Guilloche Lines Knob Handle

- **STYLE No.** UN2TR1
Universal Two Way Diverter Valve Trim for Thermostatic with Roman Numerals
- **STYLE No.** BVC100
Bond Trim Adapter for Wall Mounted Handle
- **STYLE No.** BKH04A
Bond Tandem Series Guilloche Lines Knob Handle



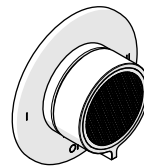
STYLE No. B2T14B
Bond Tandem Series Two Way Diverter Trim with Two-Tone Guilloche Lines Knob Handle

- **STYLE No.** UN2TR1
Universal Two Way Diverter Valve Trim for Thermostatic with Roman Numerals
- **STYLE No.** BVC100
Bond Trim Adapter for Wall Mounted Handle
- **STYLE No.** BKH04B
Bond Tandem Series Two-Tone Knob Handle



STYLE No. B2T14D
Bond Union Series Two Way Diverter Trim with Enamel Guilloche Lines Knob Handle

- **STYLE No.** UN2TR1
Universal Two Way Diverter Valve Trim for Thermostatic with Roman Numerals
- **STYLE No.** BVC100
Bond Trim Adapter for Wall Mounted Handle
- **STYLE No.** BVC14A
Bond Tandem Series Volume Control with Guilloche Lines Knob Handle
- **STYLE No.** BKH00D
Bond Union Series Enamel Index



STYLE No. B2T15C
Bond Union Series Two Way Diverter Trim with Guilloche Link Knob Handle

- **STYLE No.** UN2TR1
Universal Two Way Diverter Valve Trim for Thermostatic with Roman Numerals
- **STYLE No.** BVC100
Bond Trim Adapter for Wall Mounted Handle
- **STYLE No.** BKH05C
Bond Union Series Guilloche Link Knob Handle

WATERWORKS

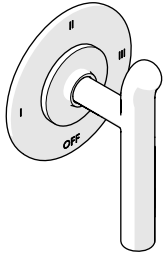
INSTALLATION GUIDELINES

STYLE No. B2T110, B2T12A, B2T12B, B2T12C, B2T12D, B2T130, B2T14A, B2T14B, B2T14D, B2T15C

Bond Two Way Diverter Trim

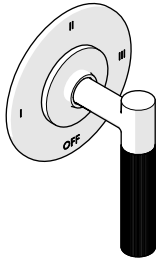
STYLE No. B3T110, B3T12A, B3T12B, B3T12C, B3T12D, B3T130, B3T14A, B3T14B, B3T14D, B3T15C

Bond Three Way Diverter Trim



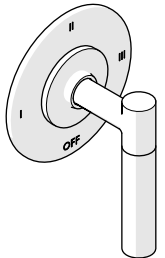
STYLE No. B3T110
Bond Solo Series Three Way Diverter Trim with Lever Handle

- **STYLE No.** UN3TR1
Universal Three Way Diverter Valve Trim for Thermostatic with Roman Numerals
- **STYLE No.** BVC100
Bond Trim Adapter for Wall Mounted Handle
- **STYLE No.** BLH010
Bond Solo Series Lever Handle



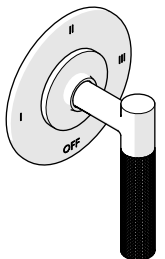
STYLE No. B3T12A
Bond Tandem Series Three Way Diverter Trim with Guilloche Lines Lever Handle

- **STYLE No.** UN3TR1
Universal Three Way Diverter Valve Trim for Thermostatic with Roman Numerals
- **STYLE No.** BVC100
Bond Trim Adapter for Wall Mounted Handle
- **STYLE No.** BLH02A
Bond Tandem Series Guilloche Lines Lever Handle



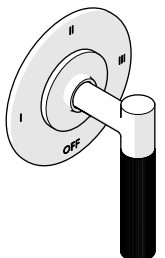
STYLE No. B3T12B
Bond Tandem Series Three Way Diverter Trim with Two-Tone Lever Handle

- **STYLE No.** UN3TR1
Universal Three Way Diverter Valve Trim for Thermostatic with Roman Numerals
- **STYLE No.** BVC100
Bond Trim Adapter for Wall Mounted Handle
- **STYLE No.** BLH02B
Bond Tandem Series Two-Tone Lever Handle



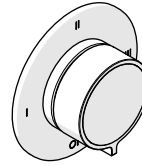
STYLE No. B3T12C
Bond Union Series Three Way Diverter Trim with Guilloche Link Lever Handle

- **STYLE No.** UN3TR1
Universal Three Way Diverter Valve Trim for Thermostatic with Roman Numerals
- **STYLE No.** BVC100
Bond Trim Adapter for Wall Mounted Handle
- **STYLE No.** BLH02C
Bond Union Series Guilloche Link Lever Handle



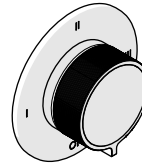
STYLE No. B3T12D
Bond Union Series Three Way Diverter Trim with Enamel Guilloche Lines Lever Handle

- **STYLE No.** UN3TR1
Universal Three Way Diverter Valve Trim for Thermostatic with Roman Numerals
- **STYLE No.** BVC100
Bond Trim Adapter for Wall Mounted Handle
- **STYLE No.** BLH02D
Bond Union Series Enamel Guilloche Lines Lever Handle



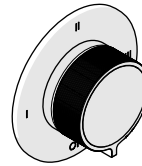
STYLE No. B3T130
Bond Solo Series Three Way Diverter Trim with Knob Handle

- **STYLE No.** UN3TR1
Universal Three Way Diverter Valve Trim for Thermostatic with Roman Numerals
- **STYLE No.** BVC100
Bond Trim Adapter for Wall Mounted Handle
- **STYLE No.** BKH030
Bond Solo Series Knob Handle



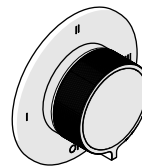
STYLE No. B3T14A
Bond Tandem Series Three Way Diverter Trim with Guilloche Lines Knob Handle

- **STYLE No.** UN3TR1
Universal Three Way Diverter Valve Trim for Thermostatic with Roman Numerals
- **STYLE No.** BVC100
Bond Trim Adapter for Wall Mounted Handle
- **STYLE No.** BKH04A
Bond Tandem Series Guilloche Lines Knob Handle



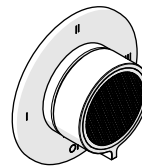
STYLE No. B3T14B
Bond Tandem Series Three Way Diverter Trim with Two-Tone Guilloche Lines Knob Handle

- **STYLE No.** UN3TR1
Universal Three Way Diverter Valve Trim for Thermostatic with Roman Numerals
- **STYLE No.** BVC100
Bond Trim Adapter for Wall Mounted Handle
- **STYLE No.** BKH04B
Bond Tandem Series Two-Tone Knob Handle



STYLE No. B3T14D
Bond Union Series Three Way Diverter Trim with Enamel Guilloche Lines Knob Handle

- **STYLE No.** UN3TR1
Universal Three Way Diverter Valve Trim for Thermostatic with Roman Numerals
- **STYLE No.** BVC100
Bond Trim Adapter for Wall Mounted Handle
- **STYLE No.** BVC14A
Bond Tandem Series Volume Control with Guilloche Lines Knob Handle
- **STYLE No.** BKH00D
Bond Union Series Enamel Index



STYLE No. B3T15C
Bond Union Series Three Way Diverter Trim with Guilloche Link Knob Handle

- **STYLE No.** UN3TR1
Universal Three Way Diverter Valve Trim for Thermostatic with Roman Numerals
- **STYLE No.** BVC100
Bond Trim Adapter for Wall Mounted Handle
- **STYLE No.** BKH05C
Bond Union Series Guilloche Link Knob Handle

WATERWORKS

INSTALLATION GUIDELINES

STYLE No. B2T110, B2T12A, B2T12B, B2T12C, B2T12D, B2T130, B2T14A, B2T14B, B2T14D, B2T15C

Bond Two Way Diverter Trim

STYLE No. B3T110, B3T12A, B3T12B, B3T12C, B3T12D, B3T130, B3T14A, B3T14B, B3T14D, B3T15C

Bond Three Way Diverter Trim

IMPORTANT:

- To ensure this product is installed properly, you must read and follow these guidelines.
- The owner/user of this product must keep this information for future reference.
- This product must be installed by a professional licensed contractor and must be on-site prior to rough-in. This allows the installer to visualize the installation.
- Be sure your installation conforms to all federal, state, and local codes. In the State of Massachusetts, all installations must comply with the rules and regulations set forth within 248 CMR.
- This product is sold partially assembled but shown fully disassembled for illustrative and service purposes only. Inspect this product to ensure you have all the parts required for proper installation.
- Use only a strap wrench or protected/smooth-jaw wrench on any finished surface.
- The use of certain plumber's putty may stain stone or tile surfaces.
- If further assistance is required, please contact Product Support at 1-800-927-2120 Monday through Friday, 8am - 6pm EST.
- Refer to the separate Service Parts Documents for available replacement parts.

REQUIRED PLUMBING DETAILS:

- This product is intended to work with a Universal Diverter Valve for Thermostatic Shower Systems (SOLD SEPARATELY).

VALVE	DESCRIPTION
GUDV14	Universal Two Way Diverter Valve for Thermostatic Shower Systems
GUDV66	Universal Three Way Diverter Valve for Thermostatic Shower Systems

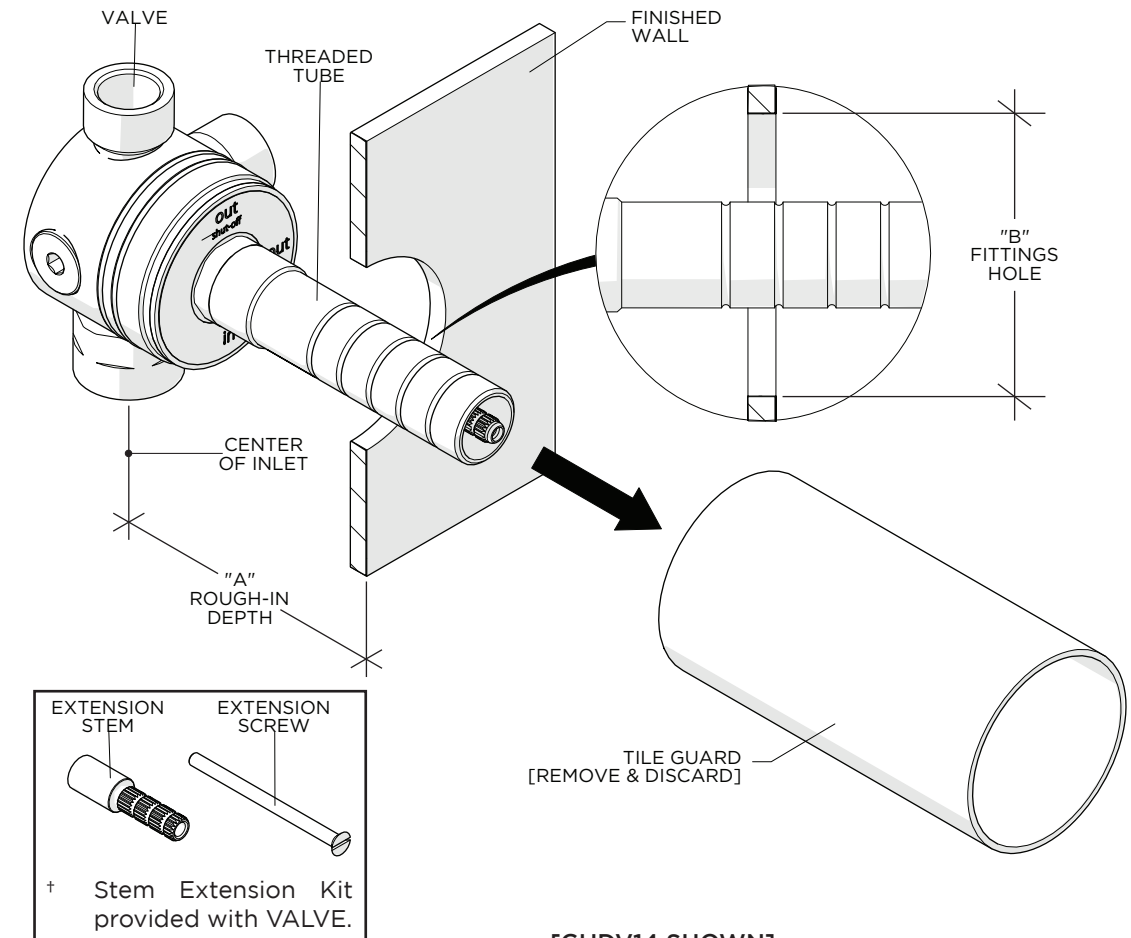
- Refer to the Installation Guidelines provided with the VALVE for complete rough-in installation details.
- The Universal Diverter Valve must be paired with a Universal Thermostatic Valve.
- All VALVES and TRIMS sold separately.

ROUGH-IN AND VALVE PREPARATION:

CAUTION:

- If the VALVE is roughed-in too shallow, the TRIM cannot be installed correctly.
- Remove and discard the TILE GUARD only when the finished wall surface (TILE or SLAB) is completed and TRIM is ready to install.

DIMENSION	VALUE
A	5-1/2" [140mm] MAXIMUM 3-1/4" [83mm] MINIMUM
B	Ø2-1/2" [64mm]



[GUDV14 SHOWN]

WATERWORKS

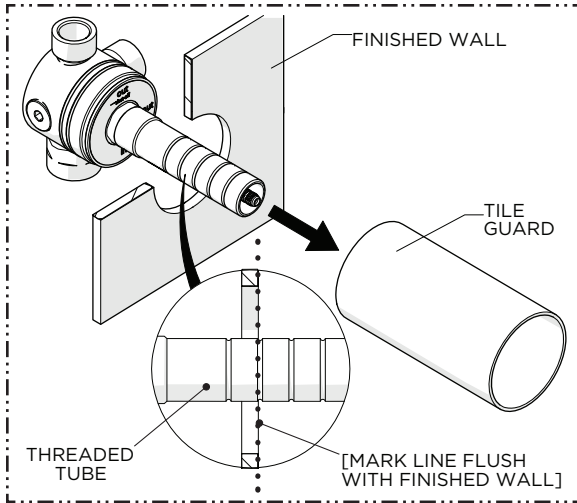
INSTALLATION GUIDELINES

STYLE No. B2T110, B2T12A, B2T12B, B2T12C, B2T12D,
B2T130, B2T14A, B2T14B, B2T14D, B2T15C

Bond Two Way Diverter Trim

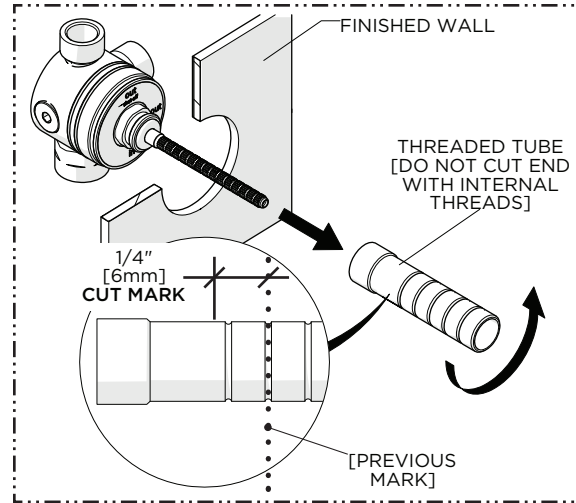
STYLE No. B3T110, B3T12A, B3T12B, B3T12C, B3T12D,
B3T130, B3T14A, B3T14B, B3T14D, B3T15C

Bond Three Way Diverter Trim

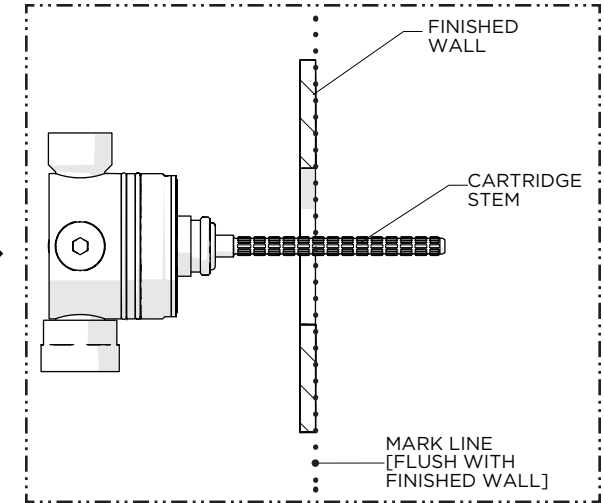


1. Remove the TILE GUARD when ready to install the TRIM then mark the THREADED TUBE where it protrudes past the finished wall.

NOTE: A straight edge (not supplied) can be used to mark the TUBE.

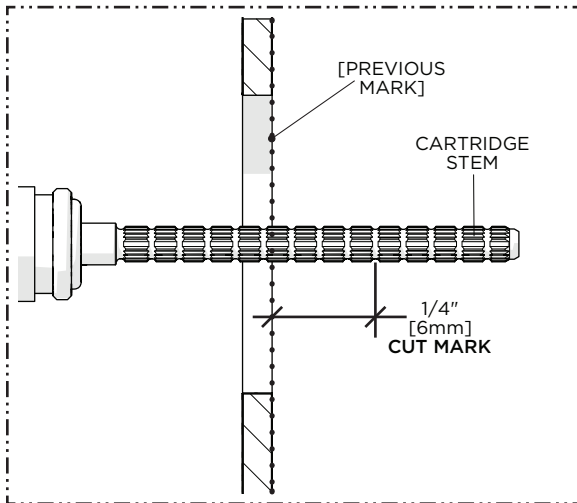


2. Remove the THREADED TUBE then cut it 1/4" [6mm] behind the previous mark.

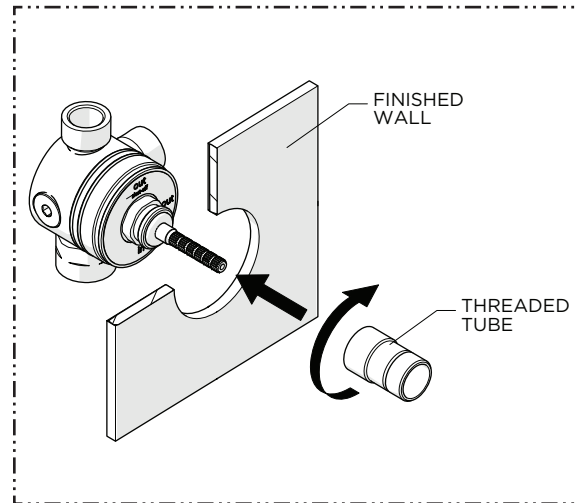


3. Mark the CARTRIDGE STEM where it protrudes past the finished wall.

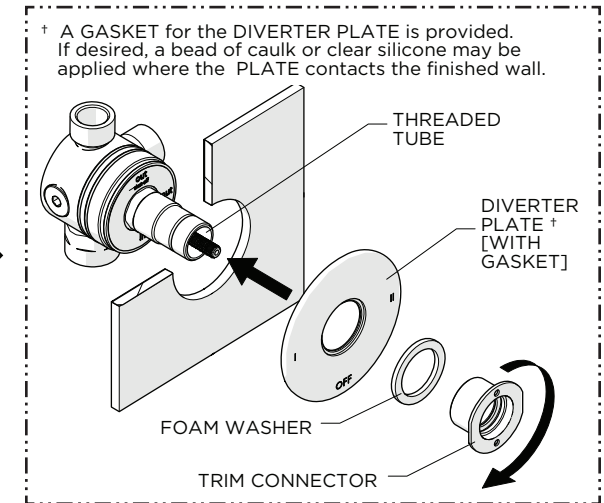
NOTE: A straight edge (not supplied) can be used to mark the CARTRIDGE STEM.



4. Carefully cut the CARTRIDGE STEM 1/4" [6mm] in front of the previous mark.



5. Thread the THREADED TUBE back onto the CARTRIDGE until it stops



6. Firmly hold the DIVERTER PLATE against the finished wall then thread and securely tighten the TRIM CONNECTOR onto the THREADED TUBE making sure to use the FOAM WASHER provided.

NOTE: The PLASTIC INSERT provided with the DIVERTER PLATE can be discarded.

WATERWORKS

INSTALLATION GUIDELINES

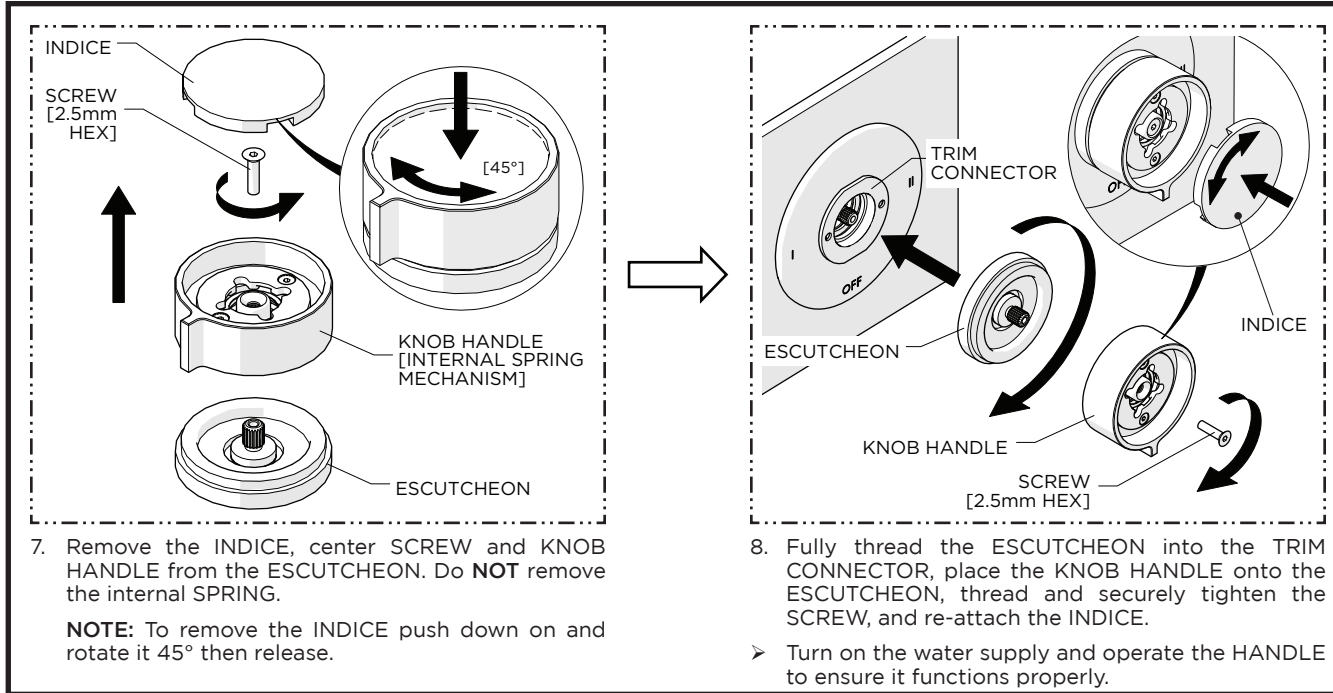
STYLE No. B2T110, B2T12A, B2T12B, B2T12C, B2T12D,
B2T130, B2T14A, B2T14B, B2T14D, B2T15C

Bond Two Way Diverter Trim

STYLE No. B3T110, B3T12A, B3T12B, B3T12C, B3T12D,
B3T130, B3T14A, B3T14B, B3T14D, B3T15C

Bond Three Way Diverter Trim

STEPS 7 - 8 KNOB HANDLE INSTALLATION ONLY



STEPS 9 - 10 LEVER HANDLE INSTALLATION ONLY

