

## Henry Chronos

CNHS10

Henry Chronos Handshower on Bar



SHOWN IN HENRY CHRONOS HANDSHOWER ON BAR | CNHS10

### TECHNICAL DETAILS

Fittings Hole Diameter: 35 mm  
 Handshower Spray Hose Length: 1.5 m  
 Inlet Connection Size: 1/2"  
 Inlet Connection Type: Female NPT & Male BSPP  
 Pivot: N  
 Restricted Maximum Flow Rate: 6.6 liters/min  
 Water Pressure Maximum: 6.0 bar  
 Water Pressure Minimum: 1.5 bar  
 Water Pressure Recommended: 3.0 bar

### INSPIRATION

Inspired by dive watches, Henry Chronos radiates design prowess and technical precision. Chronos retains the design integrity of our original, iconic Henry collection, while imbuing it with modern details and exquisite materials.

### CODES & STANDARDS

CNHS10X, ASME A112.18.1/CSA B125.1, Waterworks Handshowers use check valves compliant to ASME A112.18.3 for backflow protection. CEC, State of MA, NOM-008, WRAS

### PRODUCT FEATURES

2" Showerhead

Features a Fixed Spray Pattern

Stocked in Brass, Chrome and Nickel

Showerhead Available in 1.75gpm (6.6L/min) Flow Rate

### CERTIFICATIONS

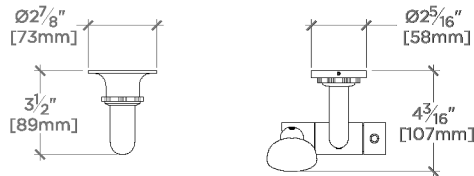


### PRODUCT (NOTES)

## Henry Chronos

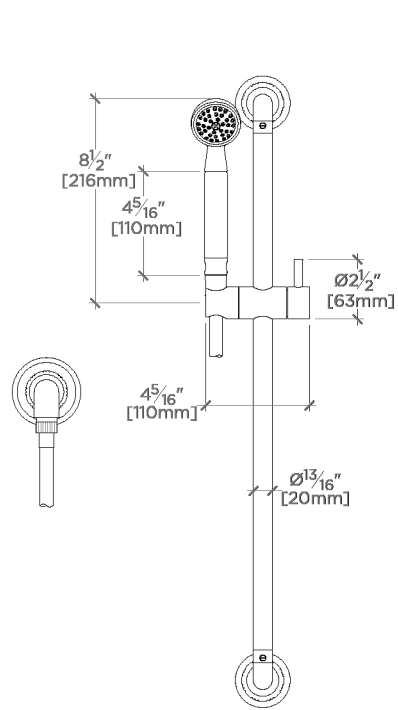
CNHS10

Henry Chronos Handshower on Bar



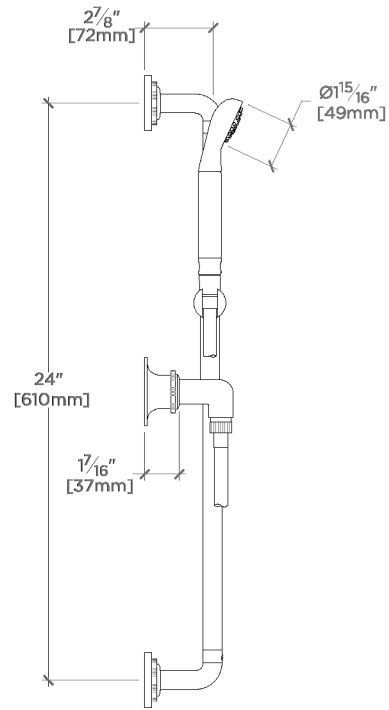
TOP VIEW

SCALE: 1 1/2"=1'-0"



FRONT VIEW

SCALE: 1 1/2"=1'-0"



SIDE VIEW

SCALE: 1 1/2"=1'-0"