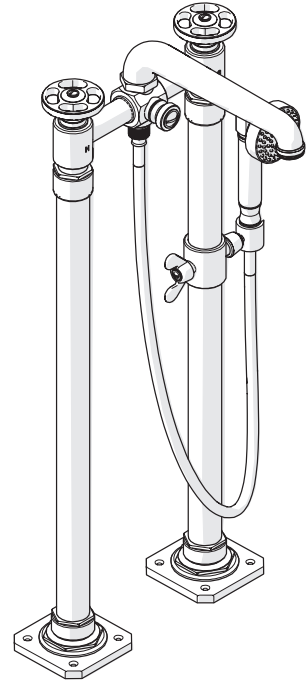
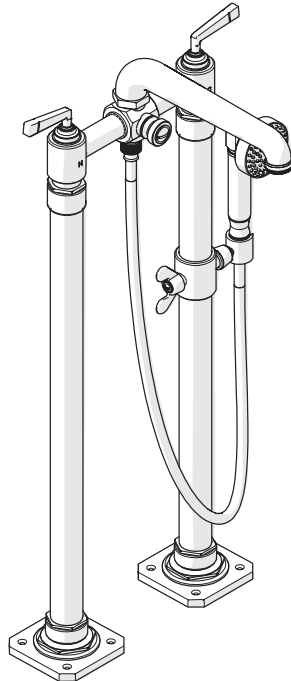


Metal Wheel Handles  
STYLE No. RWXT60



Metal Lever Handles  
STYLE No. RWXT70



#### SPECIFICATIONS:

Adjustable versus Fixed Spray: Fixed Spray

Diameter of Head: 2-11/16" [68mm]

Handle Spread: 8" [203mm] (**NOT ADJUSTABLE**)

Handshower Hose Length: 60" [1.5m]

Fittings Hole Diameter: Ø1-1/4" [32mm]

Inlet Connection: 3/4" [22mm] Copper Sweat

Inlet Spread: 8" [203mm] (**NOT ADJUSTABLE**)

Integrated Diverter: Yes

Spout Outlet Height: 28" [711mm]

Spout Reach: 9" [229mm]

Spout Swivel: No

Water Pressure: 85psi [6.0 bar] **Maximum**

Water Pressure: 20psi [1.5 bar] **Minimum**

Water Pressure Recommended: 45psi [3.0 bar]

+ Only the HANDSHOWER has a restricted flow rate.

#### IMPORTANT:

- To ensure this product is installed properly, you must read and follow these guidelines.
- The owner/user of this product must keep this information for future reference.
- Product should be on-site prior to rough-in. This allows the installer to visualize the installation and verify the center spread.
- This product must be installed by a professional licensed contractor.

- Be sure your installation conforms to federal, state, and local codes. Anti-scald protection is the responsibility of the installer and according to applicable codes. In the State of Massachusetts, all installations must comply with the rules and regulations set forth within 248 CMR.
- Refer to the specification and assembly drawings attached. Product is sold partially assembled but shown fully disassembled for illustrative and service purposes only.
- Check tub deck and tub measurements to assure the spout projects far enough into the tub.
- Inspect this product to ensure you have all the parts required for proper installation.
- Use only a strap wrench or protected/smooth-jaw wrench on any finished surface.
- The use of certain plumber's putty may stain stone or tile surfaces.
- Install accessible **hot** and **cold** service stop valves to facilitate servicing.
- Run 3/4" [22mm] SUPPLY LINES for **maximum** flow.

#### ROUGH-IN:

1. Run well supported 3/4" [22mm] **hot** and **cold** SUPPLY LINES for **maximum** water flow. The inlet supply spread is 8" [203mm] on-center and is **not** adjustable.
2. Determine the location where the supplies will come up through the floor and install a piece of 2" x 10" on its side to serve as a 10" blocking surface to secure the LEGS to the floor.
3. Drill Ø1-1/4" [32mm] holes in the floor with the proper spread for each supply to pass through.
4. Run 3/4" [22mm] copper supplies up through the finished floor and cap-off each line.

#### LEG INSTALLATION:

- Verify the 8" [203mm] inlet supply spread prior to installation.
- See Figure - 01 for Steps 5 - 9.
- 5. Slide the MOUNTING PLATE over the COPPER SUPPLY LINE in the desired orientation.
- 6. Drill 6 holes to accommodate all the SCREWS that will secure the LEG to the floor.
- 7. Secure the PLATE to the floor using 2 UNFINISHED SCREWS provided.

**NOTE:** Make sure to use the 2 countersunk holes to secure the PLATE.

8. Solder the supply line to the inner diameter of the PLATE for added stability.
9. Repeat Step 5 through 8 to install the second PLATE.

- See Figure - 01 for Steps 12 - 14.
12. Dry fit the LEGS to the MOUNTING PLATES making sure the LEGS sit flush with the finished floor.
13. Thread the STABILIZING RINGS onto the 3/4" SWEAT ADAPTERS until they are fully seated into the top of the LEGS.
14. Measure the amount of exposed threads above the STABILIZING RING and ensure that there are between 3/8" [10mm] and 1/2" [13mm] of exposed threads. If necessary, remove the LEGS and adjust the height of the SWEAT ADAPTERS.

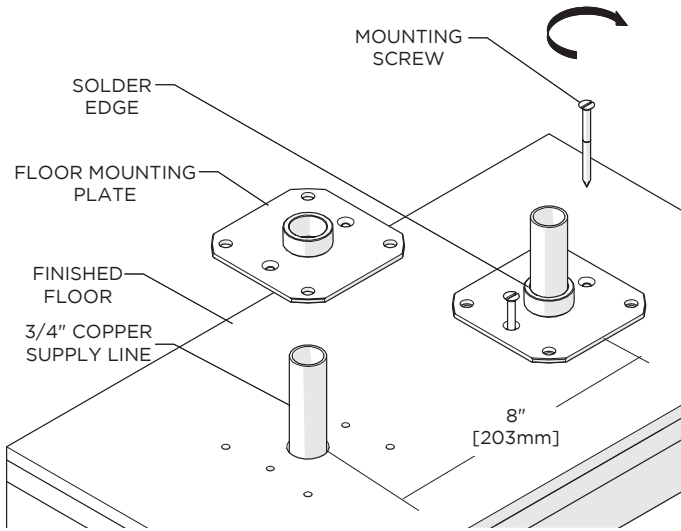


FIGURE - 01

- See Figure - 02 for Steps 10 - 11.
10. Using 3/4" couplers (not supplied), extend the SUPPLY LINES and cut them to a height of 23-3/8" [594mm] above the finished floor. Make sure the cuts are flush and level.
11. Slide the 3/4" SWEAT ADAPTERS onto the top of the SUPPLY LINES and sweat them to the copper pipes. Make sure the ADAPTERS are flush and level with each other.

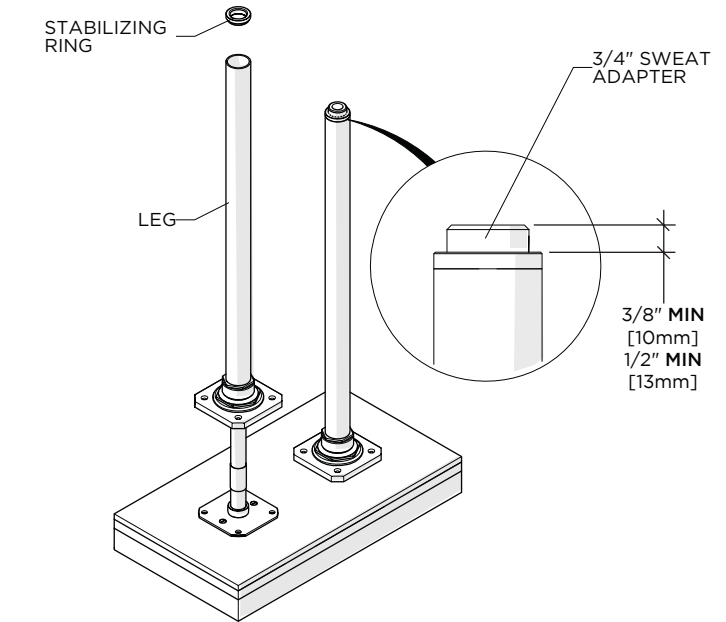


FIGURE - 03

15. Secure the LEGS to the finished floor using the FINISHED SCREWS then ensure the STABILIZING RINGS are securely tightened.

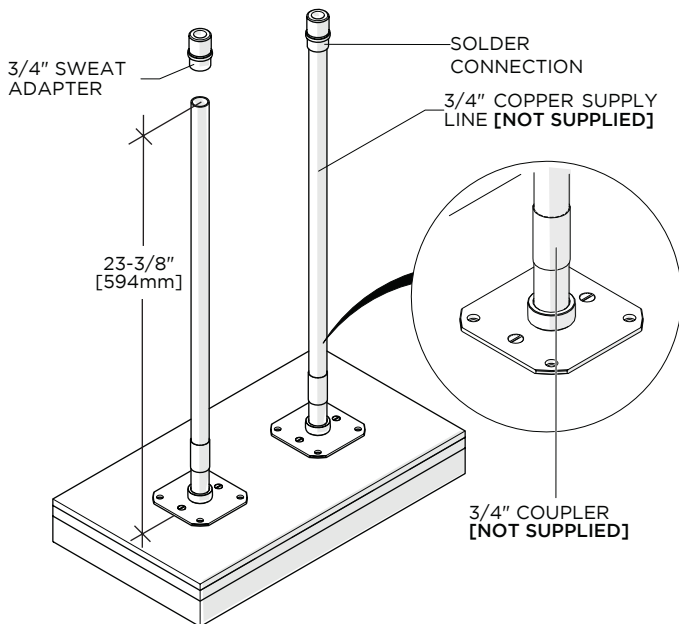


FIGURE - 02

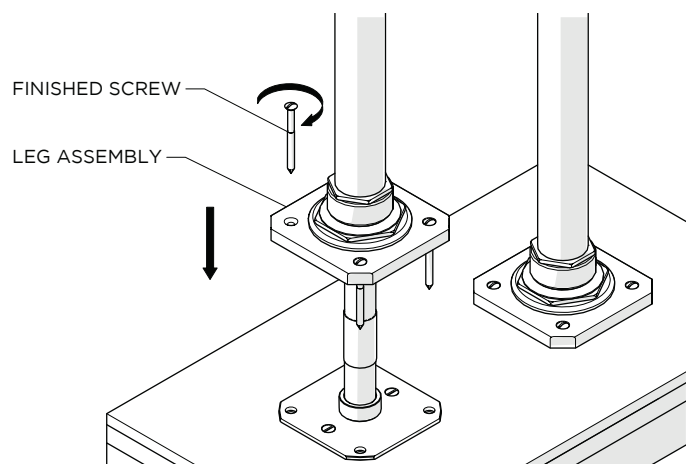


FIGURE - 04

These guidelines have been prepared for the professional contractor to aid in the installation of:  
 R.W. ATLAS EXPOSED FLOOR MOUNTED TUB FILLER WITH HANDSHOWER AND METAL WHEEL HANDLES  
 (STYLE No. RWXT60) AND METAL LEVER HANDLES (STYLE No. RWXT70).  
 All dimensions are based on original specification and are subject to change and variation.  
 PLEASE CONSULT YOUR DESIGN ASSOCIATE FOR CURRENT SPECIFICATIONS.

# WATERWORKS

16. Slide the HANDSHOWER SLIDER onto the desired LEG and secure it by tightening the WING NUT.

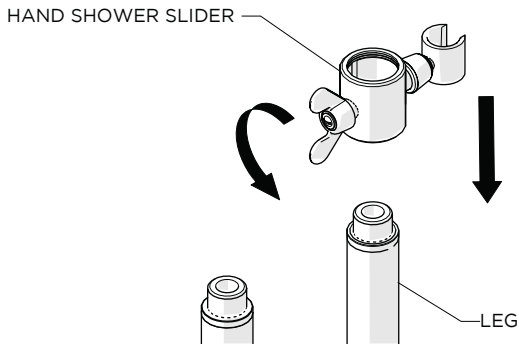


FIGURE - 05

**TUB FILLER INSTALLATION:**

- See Figure - 06 for Steps 17 - 20.
- 17. Unthread and remove the KNURLED COLLARS from the TUB FILLER BODY and slide them down the LEGS. Make sure the threaded ends of the COLLARS are pointed up.
- 18. Position the TUB FILLER BODY over the LEGS then thread the UNION NUTS onto the 3/4" SWEAT ADAPTERS. Make sure to use the RUBBER WASHERS provided.
- 19. Securely tighten the UNION NUTS using a 30mm wrench.
- 20. Slide the COLLARS up the LEG and thread them back onto TUB FILLER BODY.

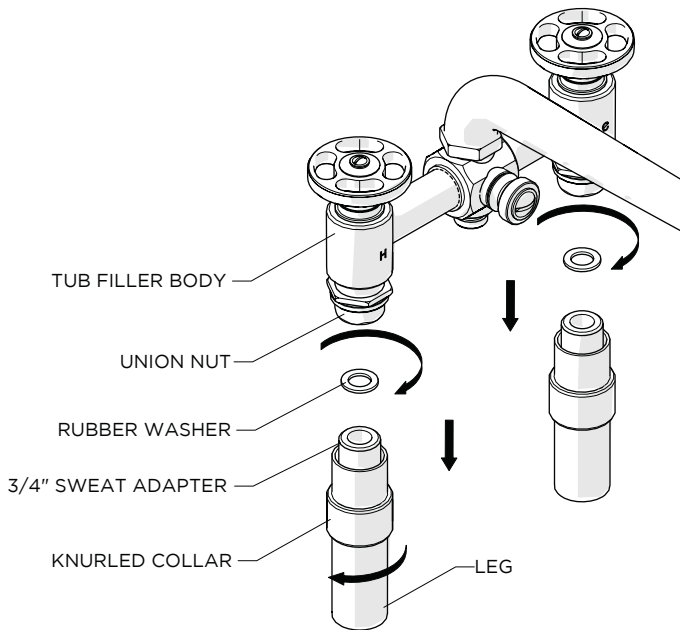


FIGURE - 06

**HANDSHOWER INSTALLATION:**

- See Figure - 07 for Steps 21 - 24.
  - 21. Attach the conical end of the HANDSHOWER HOSE to the HANDSHOWER then connect the knurled end to the TUB FILLER BODY.
- NOTE:** A FLOW REGULATING CHECK VALVE is located in the inlet of the HANDSHOWER.
- 22. Place the HANDSHOWER on the hook on the SLIDER.

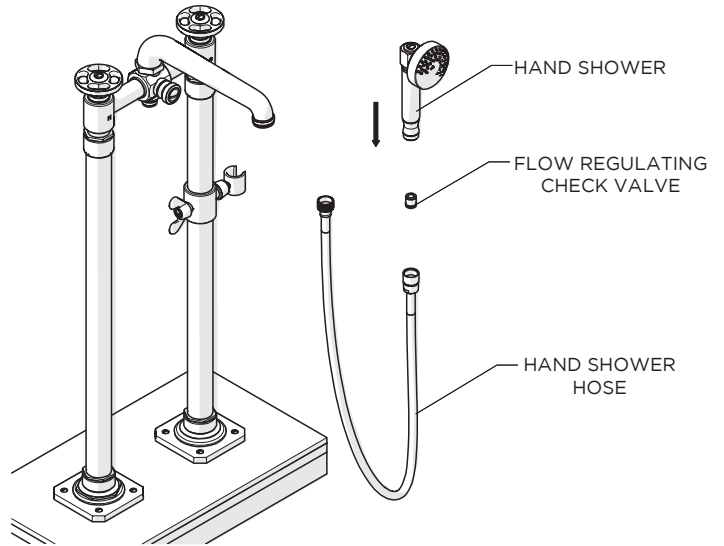


FIGURE - 07

**INSPECT AND FINISH THE INSTALLATION:**

- 23. Remove the AERATOR using the tool provided then turn on the **hot** and **cold** valves to flush out any debris in the SUPPLY LINES before diverting to the HANDSHOWER.
- NOTE:** To divert water to the handshower, pull the KNOB on the TUB FILLER BODY.
- 24. Carefully inspect all connections for leaks and make sure all HANDLES are operating properly.
  - 25. Re-install the aerator.

**SERVICING:**

- Service stops (**not provided**) should be turned off prior to servicing.
- See Figure - 08 for Steps 26 - 30.
- 26. To access the **hot** and **cold** CARTRIDGES, unthread the HANDLE ASSEMBLY.
- 27. Remove the CARTRIDGES using a 17mm wrench.

These guidelines have been prepared for the professional contractor to aid in the installation of: R.W. ATLAS EXPOSED FLOOR MOUNTED TUB FILLER WITH HANDSHOWER AND METAL WHEEL HANDLES (STYLE No. RWXT60) AND METAL LEVER HANDLES (STYLE No. RWXT70). All dimensions are based on original specification and are subject to change and variation. PLEASE CONSULT YOUR DESIGN ASSOCIATE FOR CURRENT SPECIFICATIONS.

28. To service the DIVERTER, pull the KNOB to expose the DIVERTER and remove using a 14mm wrench.
29. To remove the TUB FILLER BODY, unthread the BOTTOM CAPS to expose the UNION NUTS.
30. Unthread the NUTS using a 30mm wrench.

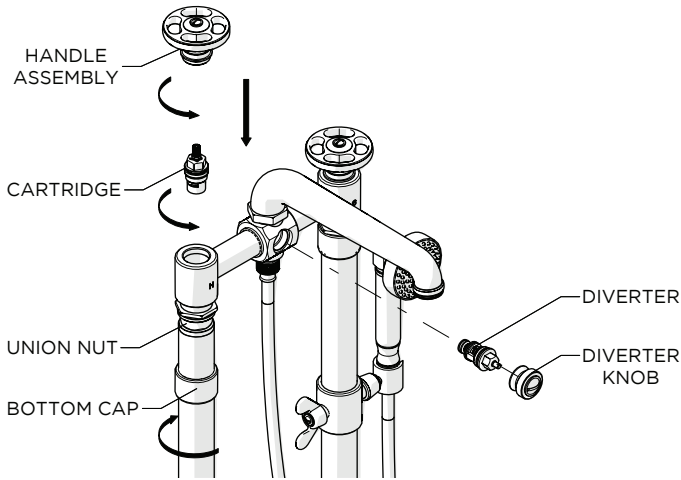


FIGURE - 08

- If further assistance is required, please contact Product Support at 1-800-927-2120 (8am-6pm EST).
- Refer to the separate Service Parts Documents for available replacement parts.