

TRANSIT

TRTF10

Transit Concealed Tub Filler with Handshower and Lever Handles



SHOWN IN TRANSIT CONCEALED TUB FILLER WITH HANDSHOWER AND LEVER HANDLES | TRTF10

TECHNICAL DETAILS

ADA Compliance: Yes
 Adjustable Versus Fixed Spray: Fixed Spray
 Deck Thickness Maximum: 1 7/16"
 Deck Thickness Minimum: 3/8"
 Depth/Width: 9 15/16"
 Diameter Of Head: 2 3/16"
 Escutcheon Primary Material: Brass
 Fittings Hole Diameter: 1 1/2"
 Flow Restriction Options: 1.75, 1.5
 Handle Spread Maximum: 12"
 Handle Spread Minimum: 10"
 Handle Turn Angle: Quarter Turn
 Handshower Spray Hose Length: 79"
 Height: 7 3/8"
 Index Marking: Blank
 Inlet Connection Size: 3/4"
 Inlet Connection Type: Male NPT Adapter
 Inlet Supply Spread Maximum: 12"
 Inlet Supply Spread Minimum: 10"
 Installation Type: Deck Mounted
 Integrated Diverter: N
 Integrated Spray: N
 Length: 19 1/4"
 Number Of Handles: Two
 Number Of Holes: Four Hole
 Pivot: N
 Primary Material: Brass
 Restricted Maximum Flow Rate: 2.0 gpm
 Spout Swivel: N
 Suggested Application: Bath
 Valve Material: Ceramic
 Water Pressure Maximum: 85.0 psi
 Water Pressure Minimum: 20.0 psi
 Water Pressure Recommended: 45.0 psi

INSPIRATION

Stylish simplicity that fits into any decor. Each design represents a sophisticated mix of modern and traditional influences, streamlined into a sculpted and tapered look.

CODES & STANDARDS

ASME A112.18.1/CSA B125.1, Waterworks Handshowers use check valves compliant to ASME A112.18.3 for backflow protection. CEC, State of MA

PRODUCT FEATURES

Lever Handles

Diverter Knob Allows Bather to Move Water From Spout to Handshower

Handshower offers a fixed spray pattern

Stocked in Chrome, Nickel and Brass

Unrestricted Flow for Tub Spout. Handshower Available in 1.75gpm (4.5L/min) Flow Rate

CERTIFICATIONS

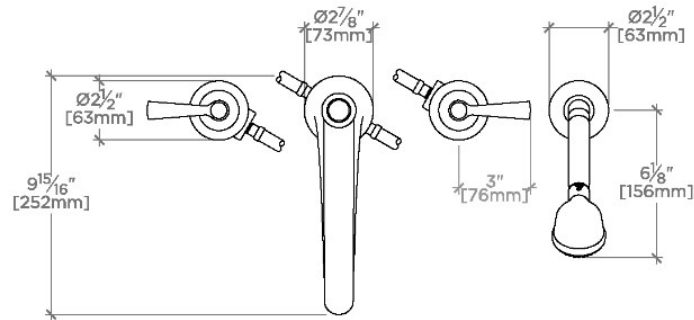


PRODUCT (NOTES)

TRANSIT

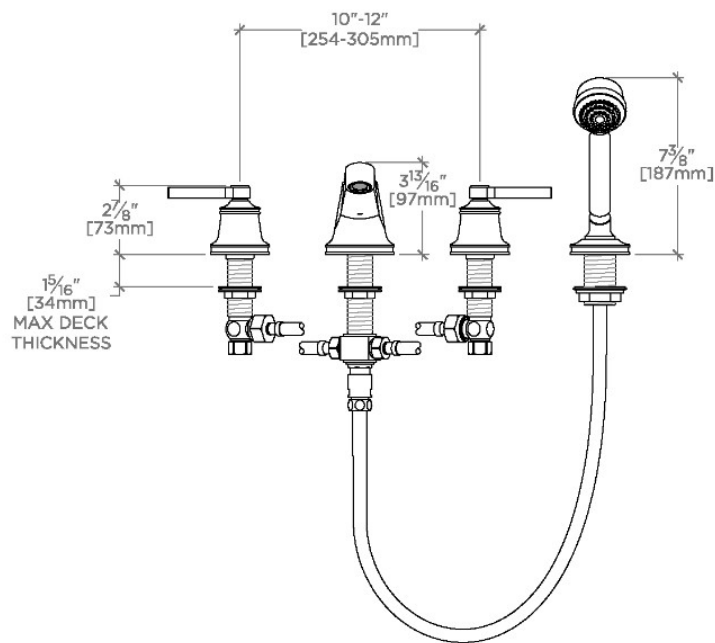
TRTF10

Transit Concealed Tub Filler with Handshower and Lever Handles



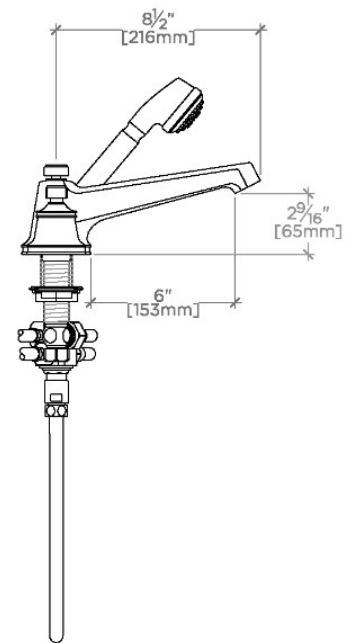
TOP VIEW

SCALE: 1/2"=1'-0"



FRONT VIEW

SCALE: 1/2"=1'-0"



SIDE VIEW

SCALE: 1/2"=1'-0"