

CARLO

CACS10

Carlo Wall Mounted Marble Lavatory Sink 36" x 18 3/4" x 6" with 36" x 8" x 3/4" Backsplash



SHOWN IN CARLO WALL MOUNTED MARBLE LAVATORY SINK 36" X 18 3/4" X 6" WITH 36" X 8" X 3/4" BACKSPLASH | CACS10

TECHNICAL DETAILS

Depth To Overflow: 2.67"
Drain Hole Depth: 1 7/8"
Drain Hole Diameter: 1 3/4"
Drain Style: Center Drain
Fittings Hole Diameter: 1 3/8"
Overflow Opening: Yes

INSPIRATION

Carlo creates a nuanced transitional statement through material and movement. Its recessed deck appears to roll into the basin, creating a ribbon of stone that highlights the material's substantial thickness and weight. Radius corners and a waterfall backsplash complete the sculptural effect.

CODES & STANDARDS

PRODUCT FEATURES

Designed by and exclusive to Waterworks

Sourced and made in Italy

Carved from a solid block of stone. Packaged item weight: 288 lbs

Backsplash designed for wall mounted faucet and handles

Features an integrated overflow

CERTIFICATIONS

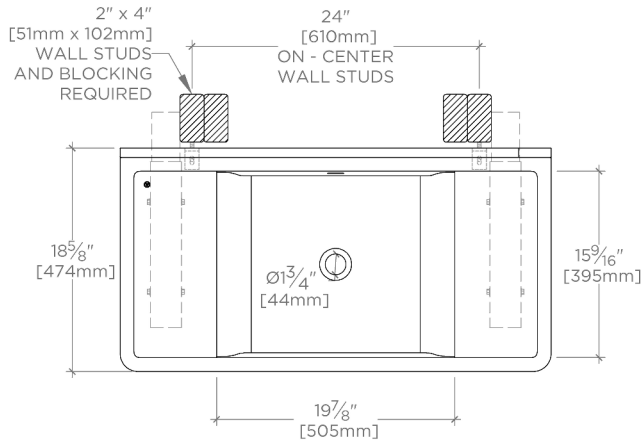
PRODUCT (NOTES)

WATERWORKS

CARLO

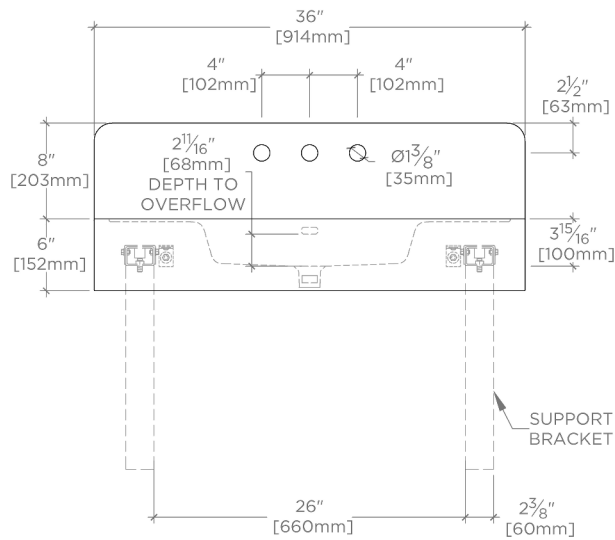
CACS10

Carlo Wall Mounted Marble Lavatory Sink 36" x 18 3/4" x 6" with 36" x 8" x 3/4" Backsplash



TOP VIEW

SCALE: 3/4"=1'-0"



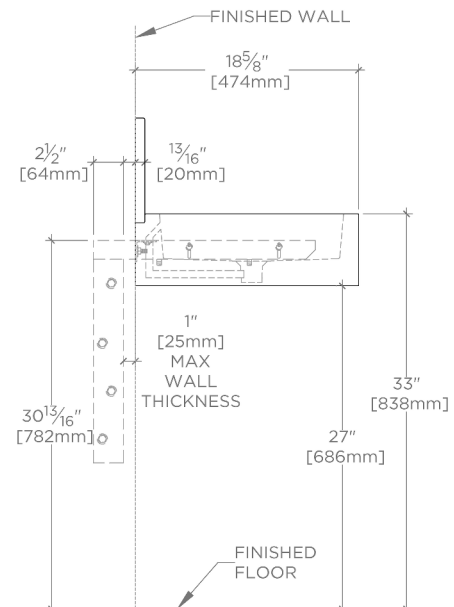
FRONT VIEW

SCALE: 3/4"=1'-0"

REQUIRED MOUNTING HARDWARE (SOLD SEPARATELY)

STYLE: 106801

DESCRIPTION: UNIVERSAL PAIR (L/R) 18" STAINLESS STEEL ADJUSTABLE CONCEALED SUPPORT BRACKETS, WALL SUPPORT BRACKETS AND HARDWARE FOR WALL MOUNTED STONE SINK.



SIDE VIEW

SCALE: 3/4"=1'-0"