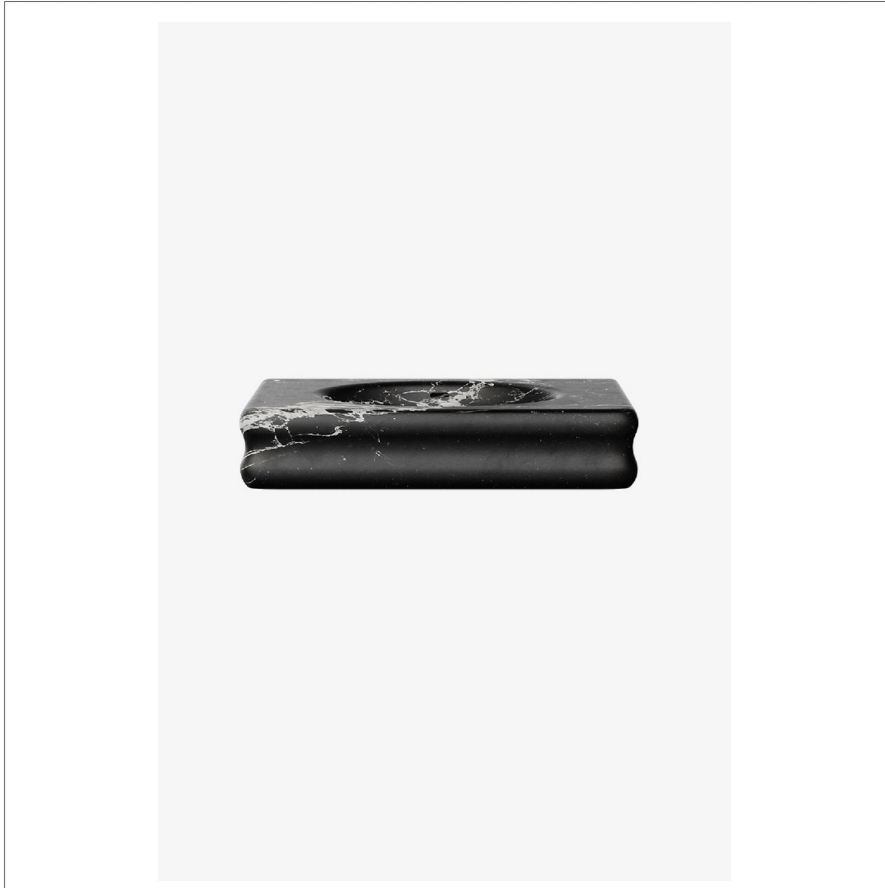


CENTURIA

CNCS20

Centuria Wall Mounted Marble Lavatory Sink 30" x 19 1/2" x 6"



SHOWN IN CENTURIA WALL MOUNTED MARBLE LAVATORY SINK 30" X 19 1/2" X 6" | CNCS20

TECHNICAL DETAILS

ADA Compliance: When installed per ADA guidelines
Depth To Overflow: 2.9"
Drain Hole Depth: 1 7/8"
Drain Hole Diameter: 1 3/4"
Drain Style: Center Drain
Fittings Hole Diameter: 1 3/8"
Overflow Opening: Yes

INSPIRATION

Centuria presents a softer, more feminine interpretation of the classic stone sink. Inspired by our iconic Empire bathtub, the design features an elegant, rolled edge and forgoes a backsplash in favor of pure, sculptural form.

CODES & STANDARDS

PRODUCT FEATURES

Designed by and exclusive to Waterworks

Sourced and made in Italy

Carved from a solid block of stone. Packaged item weight: 218 lbs

Backsplash designed for wall mounted faucet and handles

Features an integrated overflow

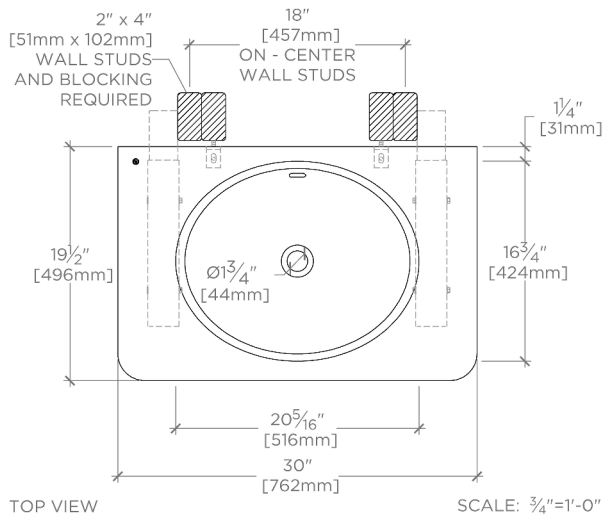
CERTIFICATIONS

PRODUCT (NOTES)

CENTURIA

CNCS20

Centuria Wall Mounted Marble Lavatory Sink 30" x 19 1/2" x 6"



REQUIRED MOUNTING HARDWARE (SOLD SEPARATELY)

STYLE: 106801

DESCRIPTION: UNIVERSAL PAIR (L/R) 18" STAINLESS STEEL ADJUSTABLE CONCEALED SUPPORT BRACKETS, WALL SUPPORT BRACKETS AND HARDWARE FOR WALL MOUNTED STONE SINK.

