

Normandy

NOLV29

Normandy Drop In or Undermount Oval Hammered Copper Lavatory Sink 17 5/16" x 13 3/4" x 6 7/16"



SHOWN IN NORMANDY DROP IN OR UNDERMOUNT OVAL HAMMERED COPPER LAVATORY SINK 17 5/16" X 13 3/4" X 6 7/16" | NOLV29

TECHNICAL DETAILS

ADA Compliance: When installed per ADA guidelines
 Bowl Shape: Oval
 Depth To Overflow: 89 mm
 Depth/Width: 349 mm
 Drain Hole Depth: 34 mm
 Drain Hole Diameter: 45 mm
 Height: 164 mm
 Installation Type: Drop In or Undermount
 Length: 440 mm
 Number Of Holes: Two Hole
 Outer Rim Shape: Oval
 Overflow Opening: Yes
 Primary Material: Hammered Copper
 Suggested Application: Bath

INSPIRATION

Like the antique French copper cookware that inspired them, our Normandy sinks lend a special warmth and richness to any environment. Each pure red copper design is hammered and polished by hand according to the old French tradition.

CODES & STANDARDS

PRODUCT FEATURES

Handcrafted in France from sheets of copper and formed in individual molds.

The Normandy sinks are finished with a burnishing hammer and polished by hand.

Suitable for master baths and powder rooms.

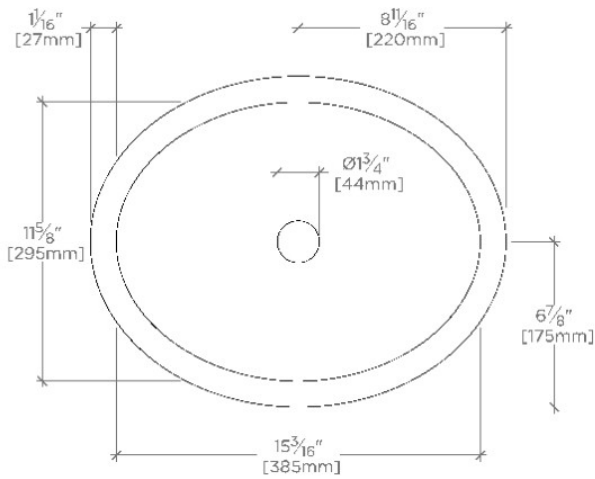
CERTIFICATIONS

Dimensions of sinks are nominal and are subject to slight variation.
PRODUCT (NOTES)

Normandy

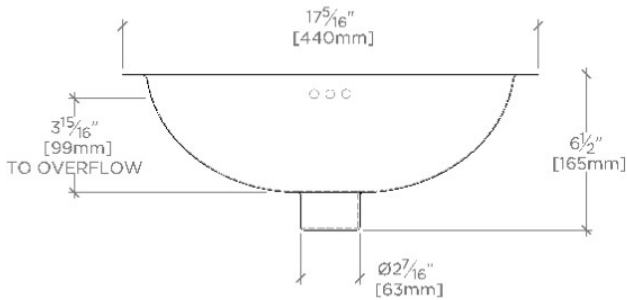
NOLV29

Normandy Drop In or Undermount Oval Hammered Copper Lavatory Sink 17 5/16" x 13 3/4" x 6 7/16"



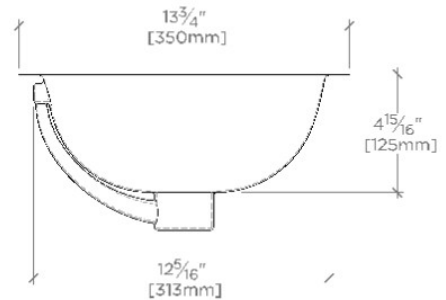
TOP VIEW

SCALE: 1/2"=1'-0"



FRONT VIEW

SCALE: 1/2"=1'-0"



SIDE VIEW

SCALE: 1/2"=1'-0"