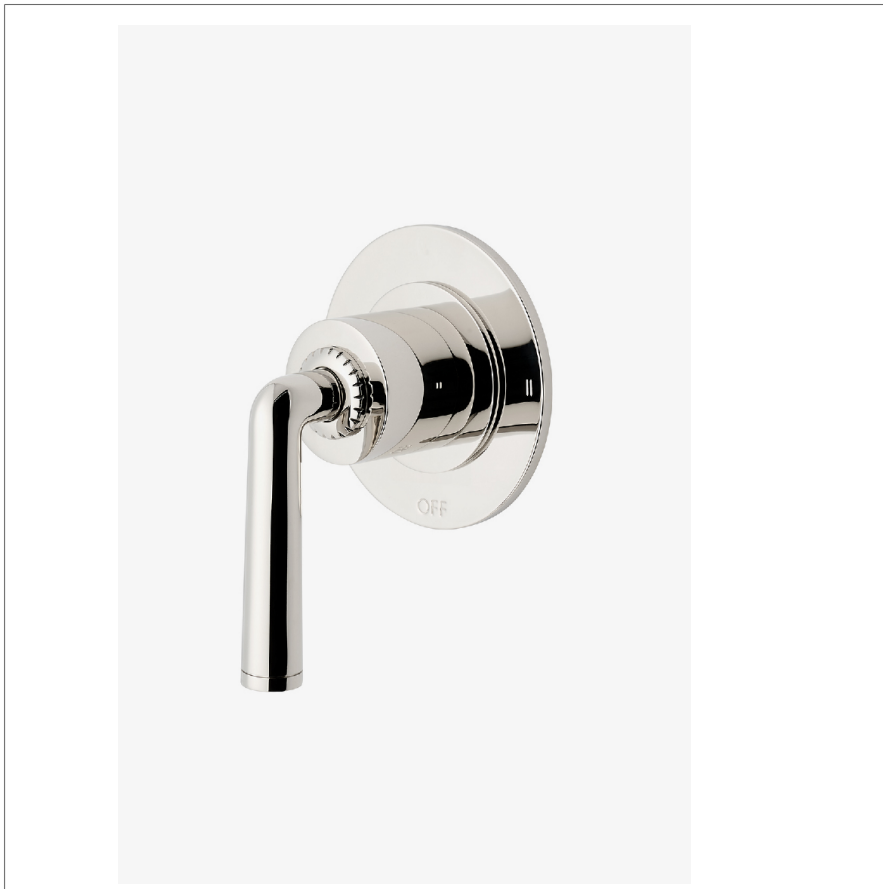


## Henry Chronos

CN2T11

Henry Chronos Two Way Diverter Valve Trim for  
Thermostatic with Roman Numerals and Lever Handle



SHOWN IN HENRY CHRONOS TWO WAY DIVERTER VALVE TRIM FOR THERMOSTATIC WITH ROMAN NUMERALS AND LEVER HANDLE | CN2T11

### TECHNICAL DETAILS

ADA Compliance: Yes  
Fittings Hole Diameter: 51 mm  
Handle Turn Angle: Quarter Turn Each Way  
Number Of Holes: One Hole  
Primary Material: Brass

### INSPIRATION

Inspired by dive watches, Henry Chronos radiates design prowess and technical precision. Chronos retains the design integrity of our original, iconic Henry collection, while imbuing it with modern details and exquisite materials.

### CODES & STANDARDS

ASME A112.18.1/CSA B125.1, State of MA

### PRODUCT FEATURES

- Features All Metal Lever Handle
- For Use With a Thermostatic Shower System and Two Waterway Outlets
- Features Roman Numerals Representing Outlet Position
- Stocked in Brass, Chrome and Nickel
- Requires valve rough sold separately

### CERTIFICATIONS

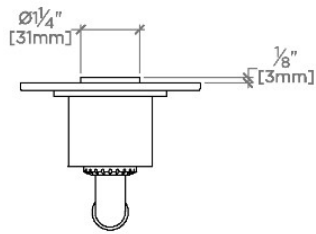


### PRODUCT (NOTES)

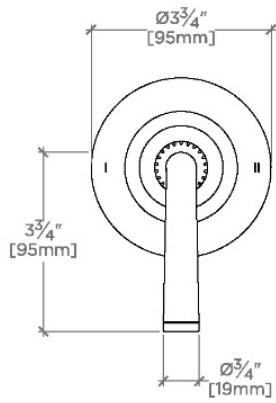
## Henry Chronos

CN2T11

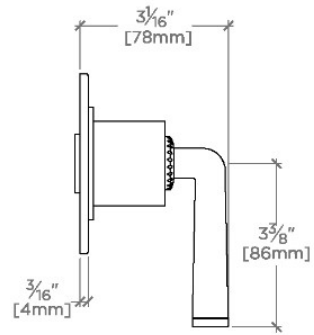
Henry Chronos Two Way Diverter Valve Trim for  
Thermostatic with Roman Numerals and Lever Handle



TOP VIEW SCALE: 3"=1'-0"



FRONT VIEW SCALE: 3"=1'-0"



SIDE VIEW SCALE: 3"=1'-0"