

## Foro

FR3T10

Foro Three Way Diverter Valve Trim for Thermostatic with Metal Lever Handle



SHOWN IN FORO THREE WAY DIVERTER VALVE TRIM FOR THERMOSTATIC WITH METAL LEVER HANDLE | FR3T10

### TECHNICAL DETAILS

ADA Compliance: Yes  
Depth/Width: 90 mm  
Height: 132 mm  
Length: 114 mm  
Valve Material: Ceramic

### INSPIRATION

A mix of historical references, including finely etched vintage silver, come together in this twist on classical design - a wonderfully elegant formal statement.

### CODES & STANDARDS

ASME A112.18.1/CSA B125.1, State of MA

### PRODUCT FEATURES

Metal lever handle

For use with a Thermostatic shower system and three waterway outlets such as a handshower, shower head, and tub spout

Features signature engraving detail

Stocked in Nickel and Unlacquered Brass

Requires valve rough sold separately

### CERTIFICATIONS

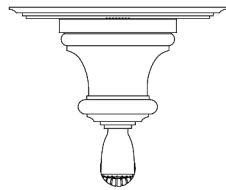


### PRODUCT (NOTES)

## Foro

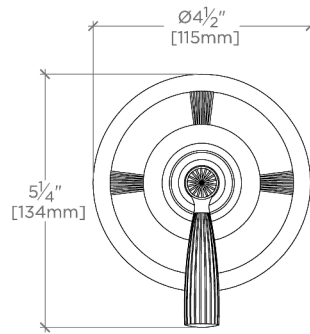
FR3T10

Foro Three Way Diverter Valve Trim for Thermostatic with Metal Lever Handle



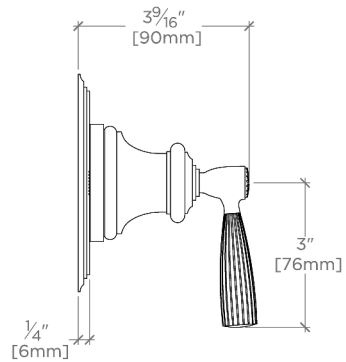
TOP VIEW

SCALE: 3"=1'-0"



FRONT VIEW

SCALE: 3"=1'-0"



SIDE VIEW

SCALE: 3"=1'-0"