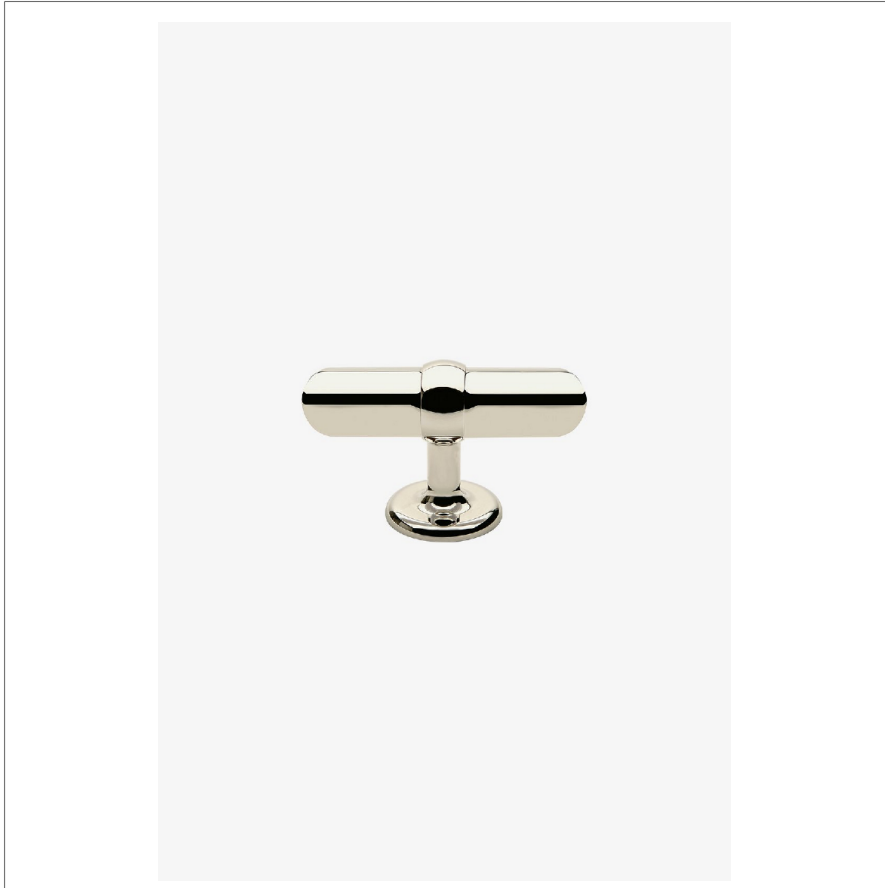


STOCKTON

SKHW04

Stockton 3" Metal Pull



SHOWN IN STOCKTON 3" METAL PULL | SKHW04

TECHNICAL DETAILS

Height: 1 1/4"
Length: 3"

INSPIRATION

The Stockton family combines hand-finished solid brass and solid walnut for distinctive midcentury-modern character. Streamlined forms with transitional appeal make these pulls equally at home in contemporary and classic settings.

CODES & STANDARDS

PRODUCT FEATURES

Solid Brass

Walnut is protected with primer and wood lacquer

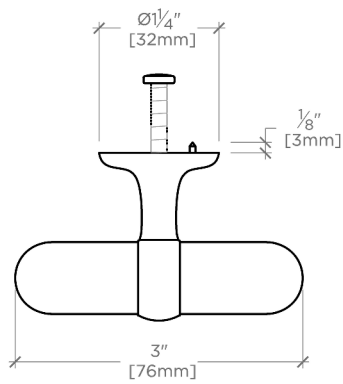
Solid Brass

Machined and hand-polished

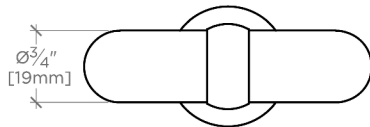
Includes 1 x M4 Pan Head Slot 1" Machine Screw and 1 x M4 Pan Head Slot 1 1/2" Machine Screw

CERTIFICATIONS

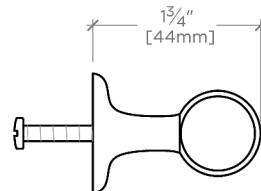
PRODUCT (NOTES)



TOP VIEW SCALE: 6"=1'-0"



FRONT VIEW SCALE: 6"=1'-0"



SIDE VIEW SCALE: 6"=1'-0"