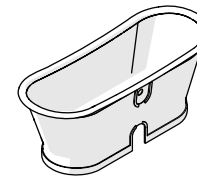


WATERWORKS

INSTALLATION GUIDELINES



STYLE No. EEBT01
Emile 67" x 27" x 27-1/2" Freestanding Oval
Cast Iron Bathtub

IMPORTANT:

- Immediately after receiving the BATHTUB and removal of packing, you **MUST** inspect the unit for freight damage. Any claims for damage, whether apparent or hidden, must be made to the carrier immediately in order for them to assume all associated costs. Should inspection reveal any defect in the finish, **do not install the BATHTUB**. Damage or defect to the finish claimed after the BATHTUB is installed is excluded from the warranty. The warranty **DOES NOT** cover labor or materials to remove or re-install the BATHTUB.
- To ensure this product is installed properly, you must read and follow these guidelines.
- The owner/user of this product must keep this information for future reference.
- **CAUTION:** This product is extremely heavy and adequate floor support is required. Ensure the product is properly supported by the base.
- This product must be installed by a professional licensed contractor. Be sure your installation conforms to all federal, state, and local codes.
- Inspect this product to assure it is the correct model and you have all parts required for proper installation. Take all the necessary precautions to ensure this product is protected during installation and do **NOT** install this product if it has been damaged.
- All final connections are made below the finished floor. Accessibility below the finished floor is required.
- The use of certain plumber's putty may stain stone or tile surfaces.
- **WARNING:** The following basic safety precautions should always be followed when using your BATHTUB.
 - Caution should always be exercised when entering or leaving the BATHTUB.
 - **DANGER:** To reduce the risk of injury, do **NOT** permit children or persons with a disability to use the BATHTUB without close supervision.
 - Keep all electrical appliances such as radios and hairdryers a safe distance from the BATHTUB.
 - Do **NOT** use the BATHTUB when sleepy or drowsy, under the influence of alcohol or prescription medications or when overheated.
- If further assistance is required, please contact Product Support at 1-800-927-2120 Monday through Friday, 8am - 6pm EST.

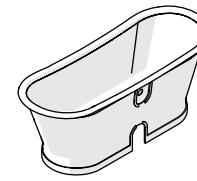
TECHNICAL DETAILS:

DETAIL		SPECIFICATION
ADJUSTABLE LEVELERS/FEET		YES
DRAIN HOLE DIAMETER		2-1/16" [53mm]
OVERFLOW HOLE DIAMETER		2-1/16" [53mm]
SINGLE OR DOUBLE ENDED		DOUBLE ENDED
WATER CAPACTIY		57 gal [215 liters]
WEIGHT	DRY	437 lbs. [198 kg]
	FILLED	912 lbs. [414 kg]

REQUIRED PLUMBING DETAILS:

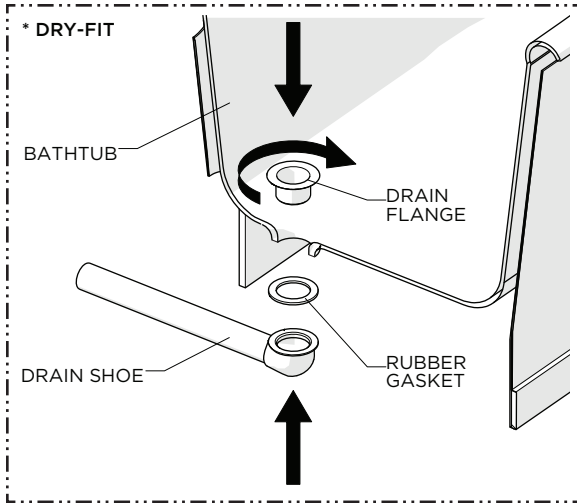
- Universal Drain Plug Waste and Overflow Drain
STYLE No. UNWO76

WATERWORKS INSTALLATION GUIDELINES

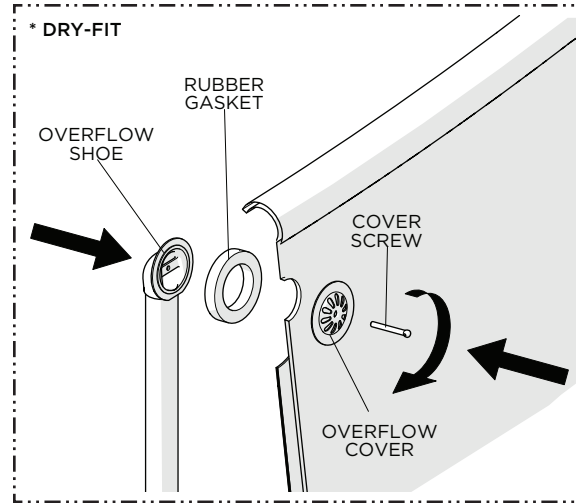


STYLE No. EEBT01

Emile 67" x 27" x 27-1/2" Freestanding Oval Cast Iron Bathtub

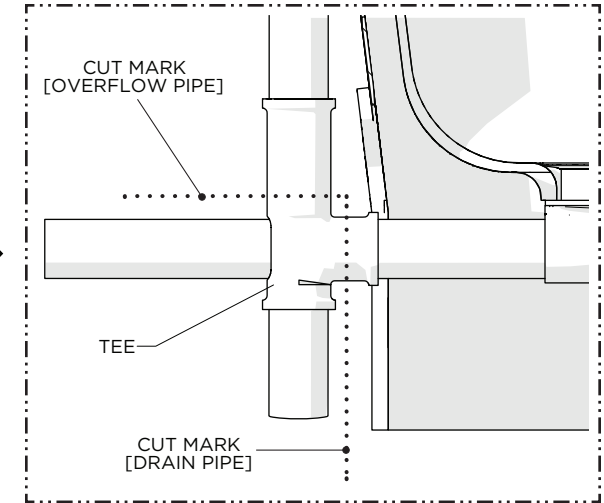


1. Dry-fit the DRAIN FLANGE and SHOE to the BATHTUB using the DRAIN GASKET provided.



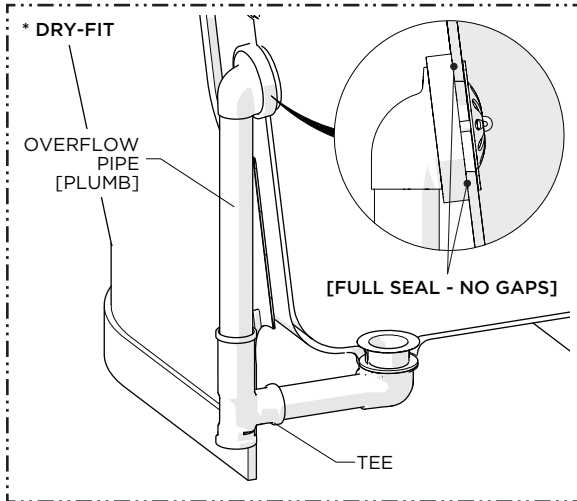
2. Dry-fit the OVERFLOW SHOE to the BATHTUB using the OVERFLOW GASKET provided.

NOTE: The UNWO76 is provided with 1 flat GASKET and 1 wedge GASKET. Use the appropriate GASKET to ensure the OVERFLOW SHOE is plumb.

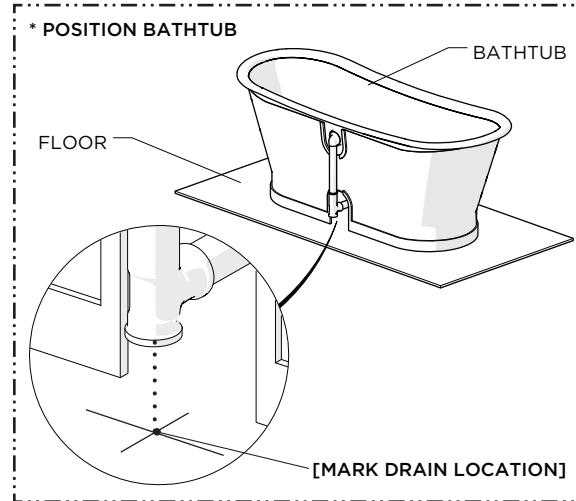


3. Hold the TEE up to the DRAIN and OVERFLOW PIPES then mark and cut the PIPES to the appropriate lengths.

NOTE: Ensure the PIPES will be inserted deep enough into the TEE before cutting.

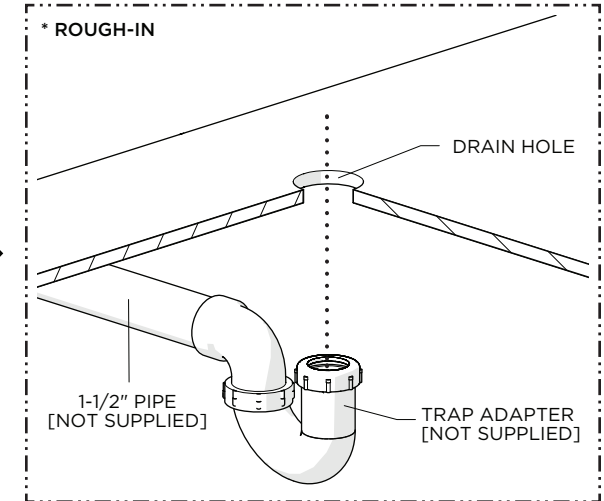


4. Connect the OVERFLOW to the DRAIN using the TEE making sure the OVERFLOW PIPE is plumb and there are no gaps between the OVERFLOW GASKET and the BATHTUB.



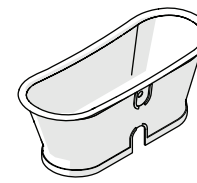
5. If rough-in has **not been** completed, determine the placement of the BATHTUB and mark the floor where the TAILPIECE will pass through then drill a hole through the floor to accommodate the TAILPIECE.

NOTE: A 3" diameter ESCUTCHEON is provided with the UNWO76 to conceal the hole in the floor.



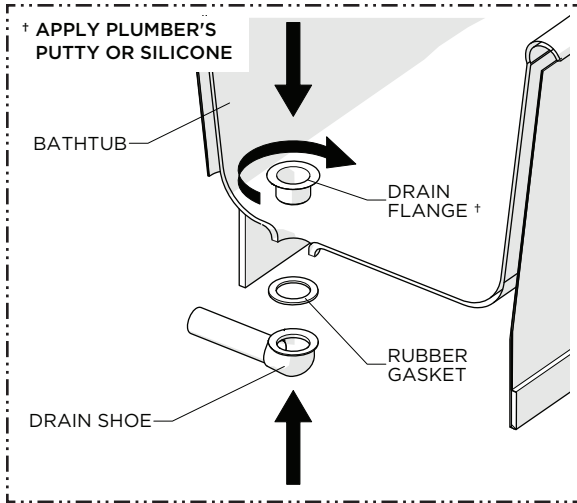
6. Rough-in 1-1/2" diameter piping and ensure all piping and fittings are well supported to eliminate the possibility of shifting.

WATERWORKS INSTALLATION GUIDELINES

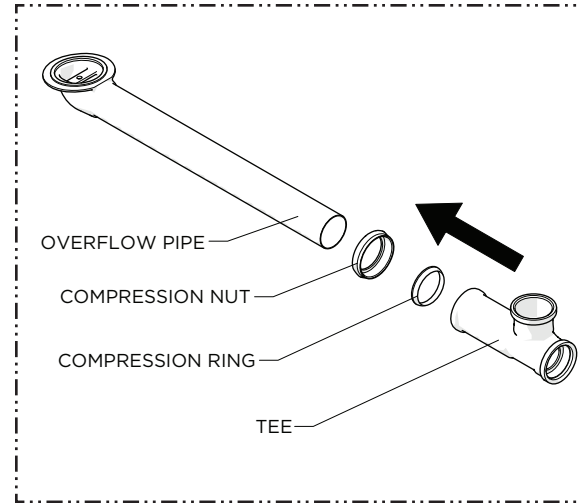


STYLE No. EEBT01

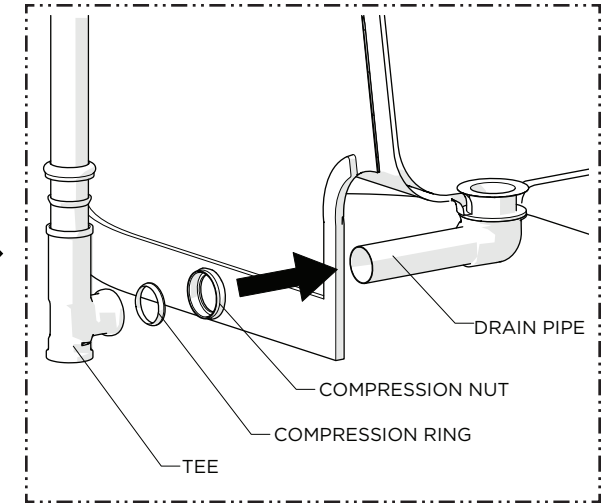
Emile 67" x 27" x 27-1/2" Freestanding Oval Cast Iron Bathtub



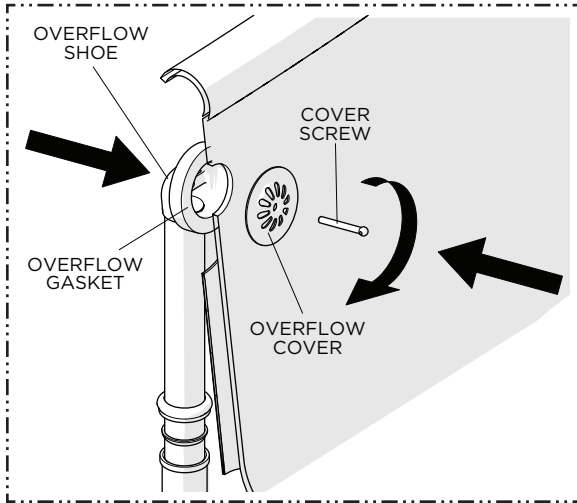
7. Apply adequate non-staining plumber's putty or silicone to the DRAIN FLANGE then thread and securely tighten the FLANGE into the DRAIN SHOE.



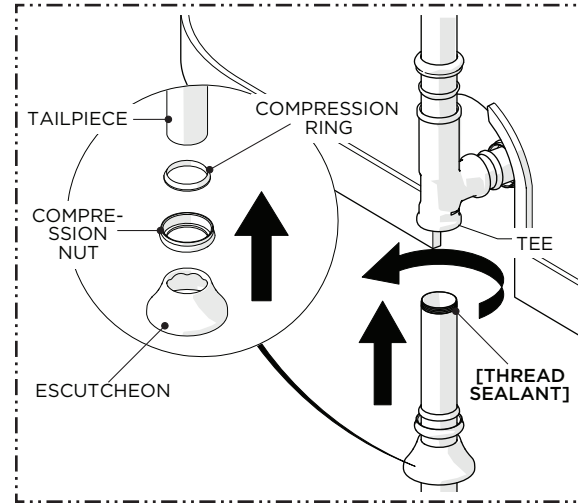
8. Slide a COMPRESSION NUT and RING onto the OVERFLOW PIPE then insert the PIPE into the TEE.



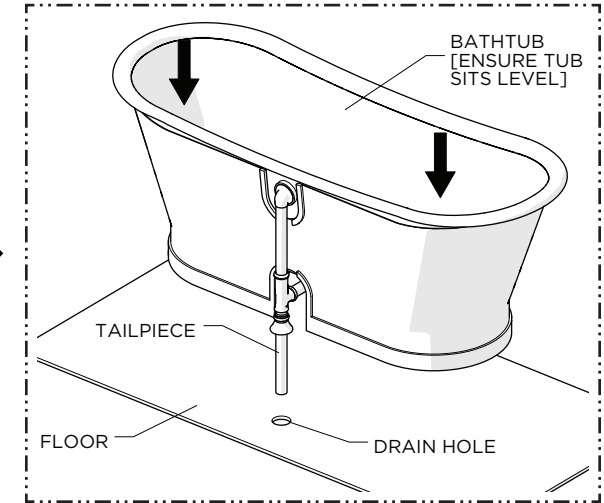
9. Slide a COMPRESSION NUT and RING onto the DRAIN PIPE then connect the TEE to the PIPE.



10. Using the appropriate GASKET, thread and securely tighten the COVER SCREW into the OVERFLOW SHOE.



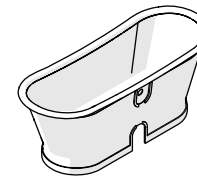
11. Slide a COMPRESSION RING, COMPRESSION NUT and the ESCUTCHEON onto the TAILPIECE then apply pipe thread sealant to the TAILPIECE and thread it into the TEE.



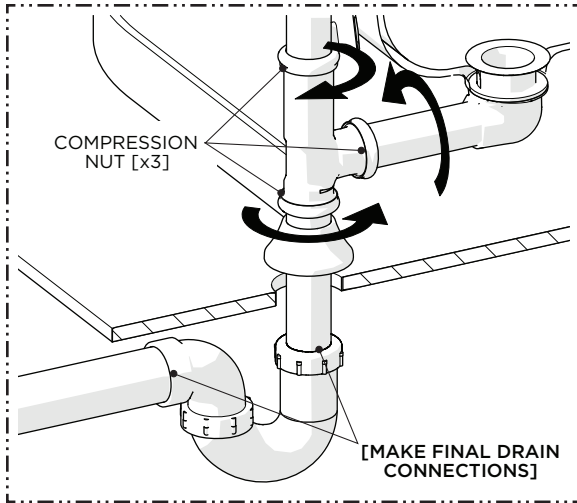
12. Position the BATHTUB so the TAILPIECE passes through the hole in FLOOR and ensure the BATHTUB sits level.

NOTE: The BATHTUB includes adjustable levelers.

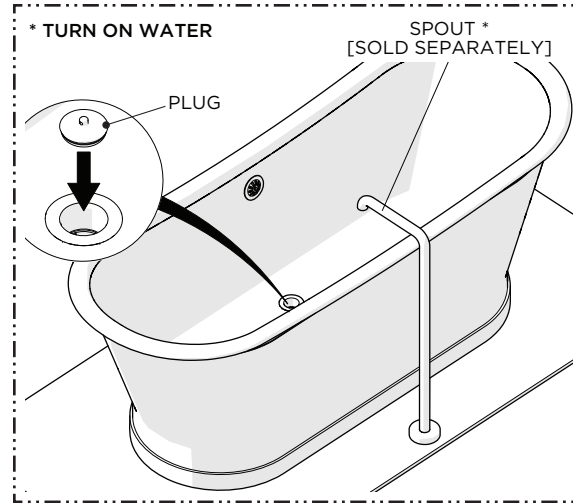
WATERWORKS INSTALLATION GUIDELINES



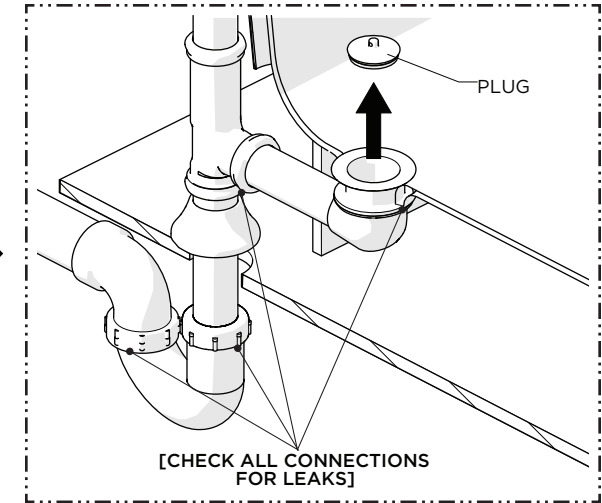
STYLE No. EEBT01
Emile 67" x 27" x 27-1/2" Freestanding Oval
Cast Iron Bathtub



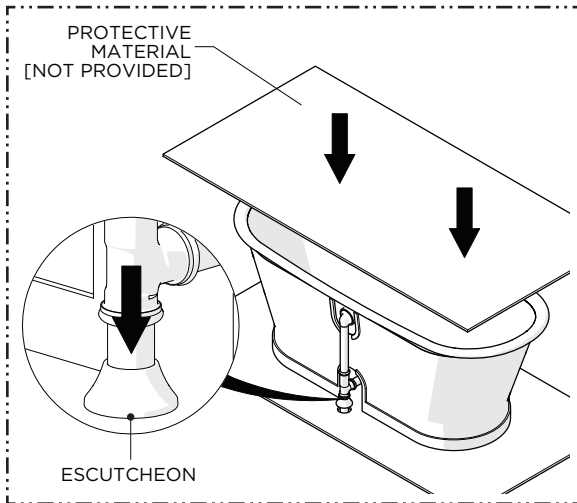
13. Cut the TAILPIECE as needed then make final drain connections and tighten the COMPRESSION NUTS.



14. Plug the DRAIN and fill the BATHTUB until water enters the overflow hole.



15. Drain the BATHTUB and inspect all connections for leaks.



16. Slide the ESCUTCHEON down the OVERFLOW PIPE until it contacts the floor then cover the BATHTUB surface with a liner or other protective material (not supplied) until construction is complete.