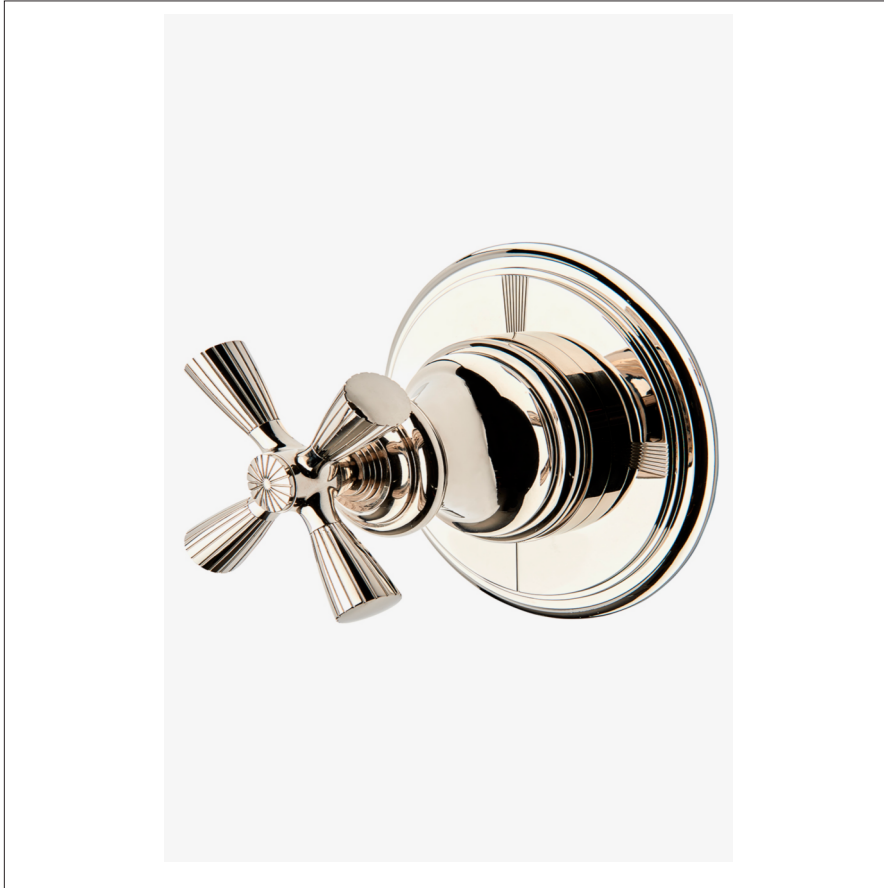


FORO

FR3T01

Foro Three Way Diverter Valve Trim for Thermostatic with Metal Cross Handle



TECHNICAL DETAILS

Depth / Width: 90 mm
Height: 114 mm
Length: 114 mm
Valve Material: Ceramic

INSPIRATION

A mix of historical references, including finely etched vintage silver, come together in this twist on classical design - a wonderfully elegant formal statement.

PRODUCT FEATURES

Metal cross handle

For use with a Thermostatic shower system and three waterway outlets such as a handshower, shower head, and tub spout

Features signature engraving detail

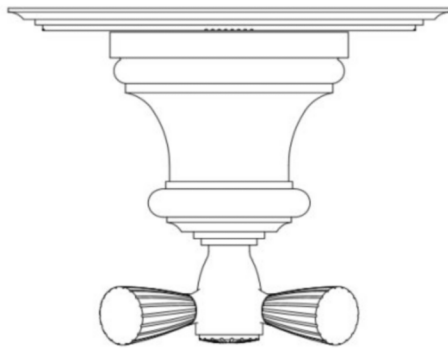
Stocked in Nickel and Unlacquered Brass

Requires rough valve, sold separately: GUDV66 (US) / GU66DV (UK)

FORO

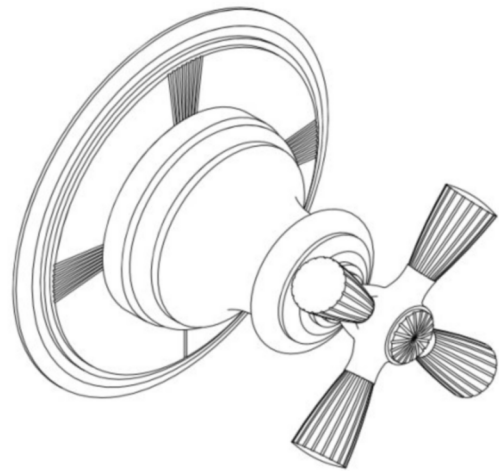
FR3T01

Foro Three Way Diverter Valve Trim for Thermostatic with Metal Cross Handle



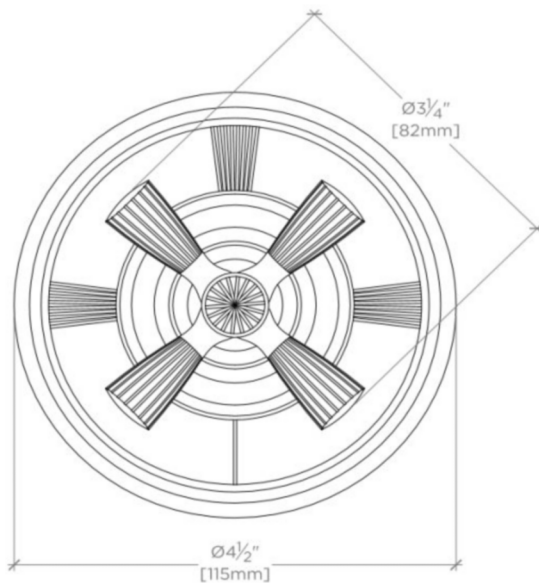
TOP VIEW

SCALE: 6"=1'-0"



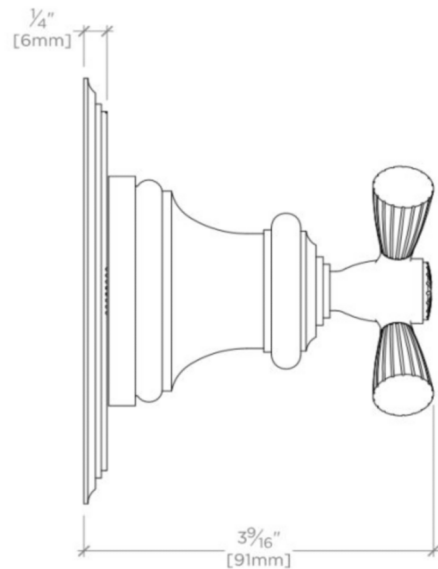
ISO VIEW

SCALE: 6"=1'-0"



FRONT VIEW

SCALE: 6"=1'-0"



SIDE VIEW

SCALE: 6"=1'-0"