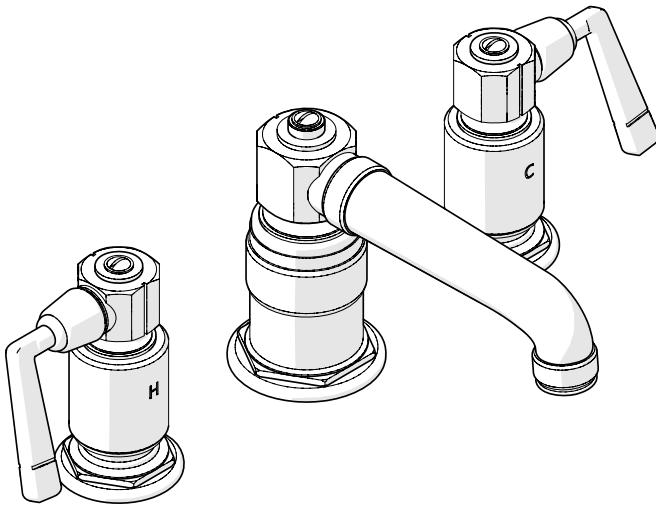


Side Mounted Metal Lever Handles
Style No. RWLS10

**SPECIFICATIONS:**

Drain Depth Maximum: 2-1/2"
 Drain Depth Minimum: 3/8"
 Drain Hole Diameter: 1-3/4"
 Drain Style: Push Touch (Drain Included)
 Fitting Hole Diameter: 1-3/8"
 Handle Spread Maximum: 12"
 Handle Spread Minimum: 8"
 Inlet Connection Size: 1/2"
 Inlet Connection Type: Male with supply nut
 Maximum Deck Thickness: 1-5/8"
 Minimum Deck Thickness: 1/4"
 Maximum Water Pressure: 80psi
 Minimum Water Pressure: 20psi
 Recommended Water Pressure: 45psi
 Restricted Maximum Flow Rate: 2.2gpm

IMPORTANT:

- **NOTE: The screw on the top of the handle assembly and on the top of the spout assembly are aesthetic and does not serve any mechanical purposes and should not be removed.**
- To ensure this product is installed properly, you must read and follow these guidelines.
- The owner/user of this product must keep this information for future reference.
- Be sure your installation conforms to federal state, and local codes. In the State of Massachusetts, all installations must comply with the rules and regulations set forth within 248 CMR.
- This product must be installed by a professional licensed contractor.
- Inspect this product to ensure you have all the parts

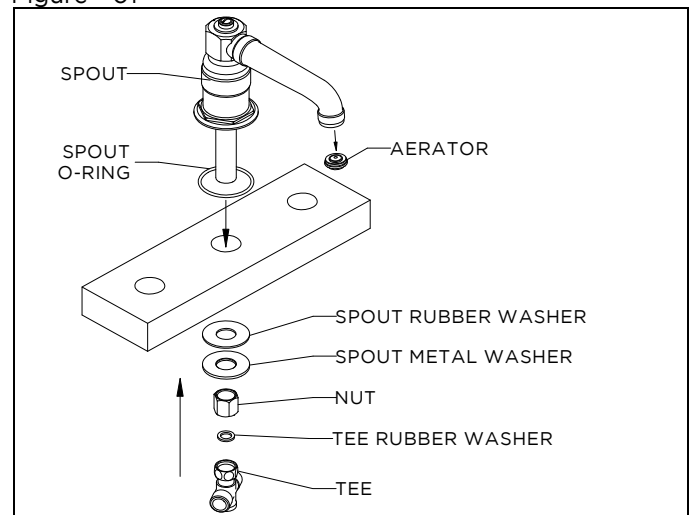
required for proper installation.

- Use only a strap wrench or protected/smooth-jaw wrench on any finished surface.
- DO NOT use putty on deck fittings. Upper and lower washers are provided.

SPOUT INSTALLATION:

- See Figure 1. for Steps 1-3.
1. Remove the tee, tee rubber washer, nut, metal washer & spout rubber washer from the bottom of the spout.
 2. Insert the spout into the hole on the mounting surface making sure the o-ring is underneath the spout.
 3. Re-install spout rubber washer, metal washer and nut (in that order). Re-attach the tee making sure the tee rubber washer is in the outlet.

Figure - 01

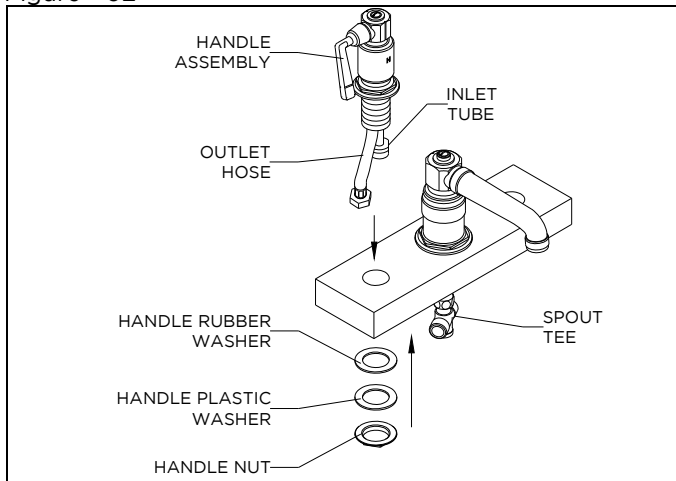
**HANDLE INSTALLATION:**

- See Figure 2. for Steps 4-8.
4. Remove the rubber washer, plastic washer & nut from the handle's threaded shank. Note: The inlet tube may need to be unthreaded and removed in order to remove nut.
 5. Place the handle assembly through the hole in the deck, along with the outlet hose & inlet tube.
 6. Re-install rubber washer, plastic washer and nut from under the deck. Tighten the nut up against the bottom of the mounting surface to secure the handle assembly.

These guidelines have been prepared for the professional contractor to aid in the installation of:
 RW ATLAS MARQUEE DECK MOUNTED LAVATORY FAUCET WITH METAL SIDE MOUNT LEVER
 HANDLES (STYLE# RWLS10)
 All dimensions are based on original specification and are subject to change and variation.
 Please consult your Design Associate for current specifications.
 SEE SERVICE PART DOCUMENT FOR PART ORDERING, AVAILABLE ON WATERWORKS.COM

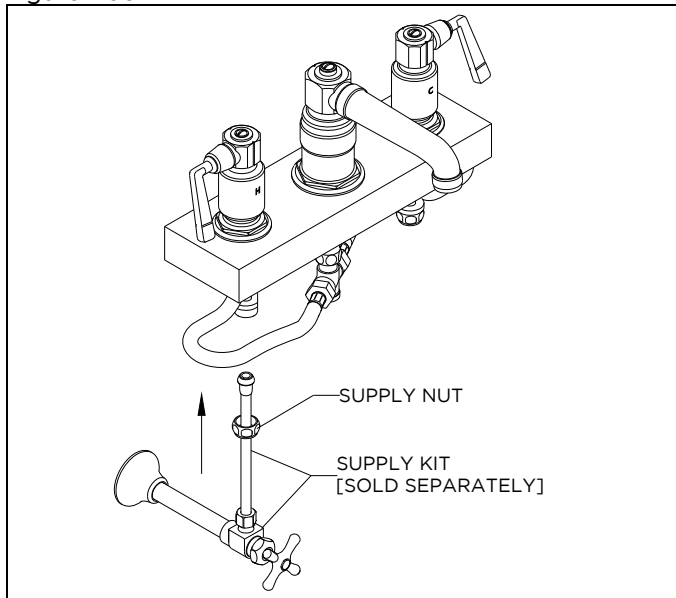
WATERWORKS

Figure - 02



7. Attach outlet hose to spout tee.
8. Attach supply kit [sold separately] to inlet supply tube on handle assembly, using the supply nut. See figure 3.

Figure - 03

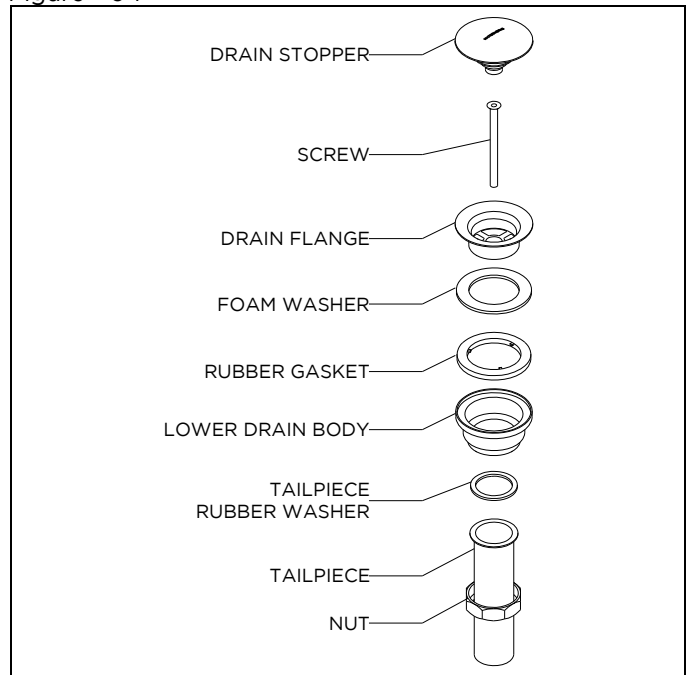


9. Repeat steps 4-8 to install the second handle assembly.

DRAIN INSTALLATION:

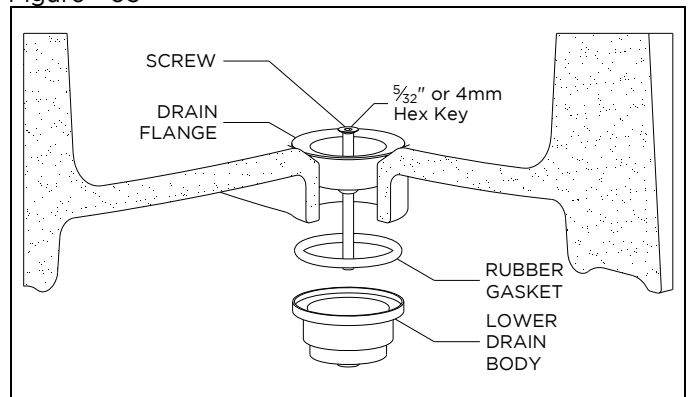
10. Unthread and remove the drain stopper and lower drain body from the drain flange. The foam washer can be discarded then remove the tailpiece from the lower drain body. See Figure - 04.

Figure - 04



11. Set the drain flange in the lavatory drain opening using putty or a clear adhesive silicone depending on the mounting surface material.* Re-install the lower drain body with the screw, making sure to use the rubber gasket provided and tighten until fully secured. Putty or a clear adhesive silicone may be used to ensure a water-tight seal between the gasket and lavatory.* See Figure - 05.

Figure - 05



12. Re-install the tailpiece using the washer and nut then re-install the drain stopper.

INSPECT THE INSTALLATION:

13. Remove the flow restricting aerator using a flat head screwdriver or a coin, then carefully open the hot and cold valves to flush out any debris in the supply lines. See Figure 1.

These guidelines have been prepared for the professional contractor to aid in the installation of: RW ATLAS MARQUEE DECK MOUNTED LAVATORY FAUCET WITH METAL SIDE MOUNT LEVER HANDLES (STYLE# RWLS10). All dimensions are based on original specification and are subject to change and variation. Please consult your Design Associate for current specifications. SEE SERVICE PART DOCUMENT FOR PART ORDERING, AVAILABLE ON WATERWORKS.COM

14. Inspect all connections for leaks.
 15. Close the drain and fill the sink with water to make sure the drain stopper and gasket operates and seals properly.
 16. Re-install the flow restricting aerator making sure the washer is in place.
- The hex collars on the bottoms of the handle assembly and the bottom of the spout assembly can be rotated after installation to orientate the hexes so they are straight.
 - The handle barrels can also be rotated to the proper orientation to align the "H" & "C".
 - **The screw on the top of the handle assembly and on the top of the spout assembly are aesthetic and does not serve any mechanical purposes and should not be removed.**
 - * Putty contains oils and can cause permanent discoloration on certain materials such as marble, granite and any porous surface.
 - **If further assistance is required, please contact Product Support at 1-800-927-2120 (8am-6pm EST).**
 - **See service part document for parts ordering, available on WATERWORKS.COM.**

These guidelines have been prepared for the professional contractor to aid in the installation of:
RW ATLAS MARQUEE DECK MOUNTED LAVATORY FAUCET WITH METAL SIDE MOUNT LEVER HANDLES (STYLE# RWLS10)

All dimensions are based on original specification and are subject to change and variation.

Please consult your Design Associate for current specifications.

SEE SERVICE PART DOCUMENT FOR PART ORDERING, AVAILABLE ON WATERWORKS.COM

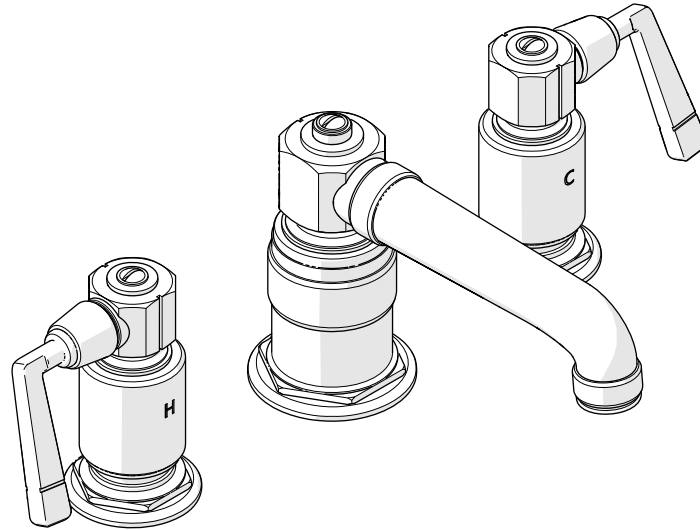
WATERWORKS



ESTB. 1978

WATERWORKS

SERVICE PARTS



STYLE RWLS10

R.W. Atlas Deck Mounted Marquee Lavatory Faucet
with Metal Lever Side Mount Handles

WELCOME TO

WATERWORKS

For over three decades, Waterworks has transformed the bath through an absolute commitment to design authenticity, innovation and quality. A blend of scholarly appreciation and applied experience guarantees mechanical integrity, meticulous craftsmanship, and timeless designs.

**TO ORDER PARTS CALL
1 (800) 927-2120 (EXT 2)**

Order by part number and specify color, finish, or other options if required.

PRODUCT SUPPORT

Our Product Support team provides troubleshooting and technical problem resolution, including replacement parts and installation recommendations throughout the life of your product.

Product Support is available Monday through Friday, 8AM-6PM EST.

**LIMITED LIFETIME
WARRANTY**

Our warranty covers repair and replacement of Waterworks products if within the applicable coverage period and deemed defective by Waterworks. Waterworks will, at its option, repair or replace such products; this does not include installation costs, labor charges, or other incidental or consequential costs.

To obtain your complete warranty or inquire about warranty service, please visit us at www.waterworks.com or contact our Product Support Team.

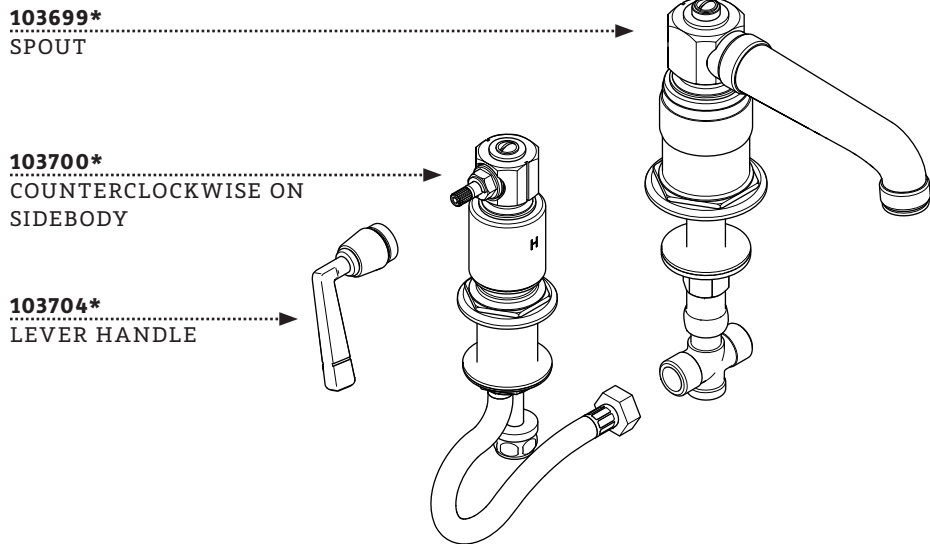


ESTB. 1978

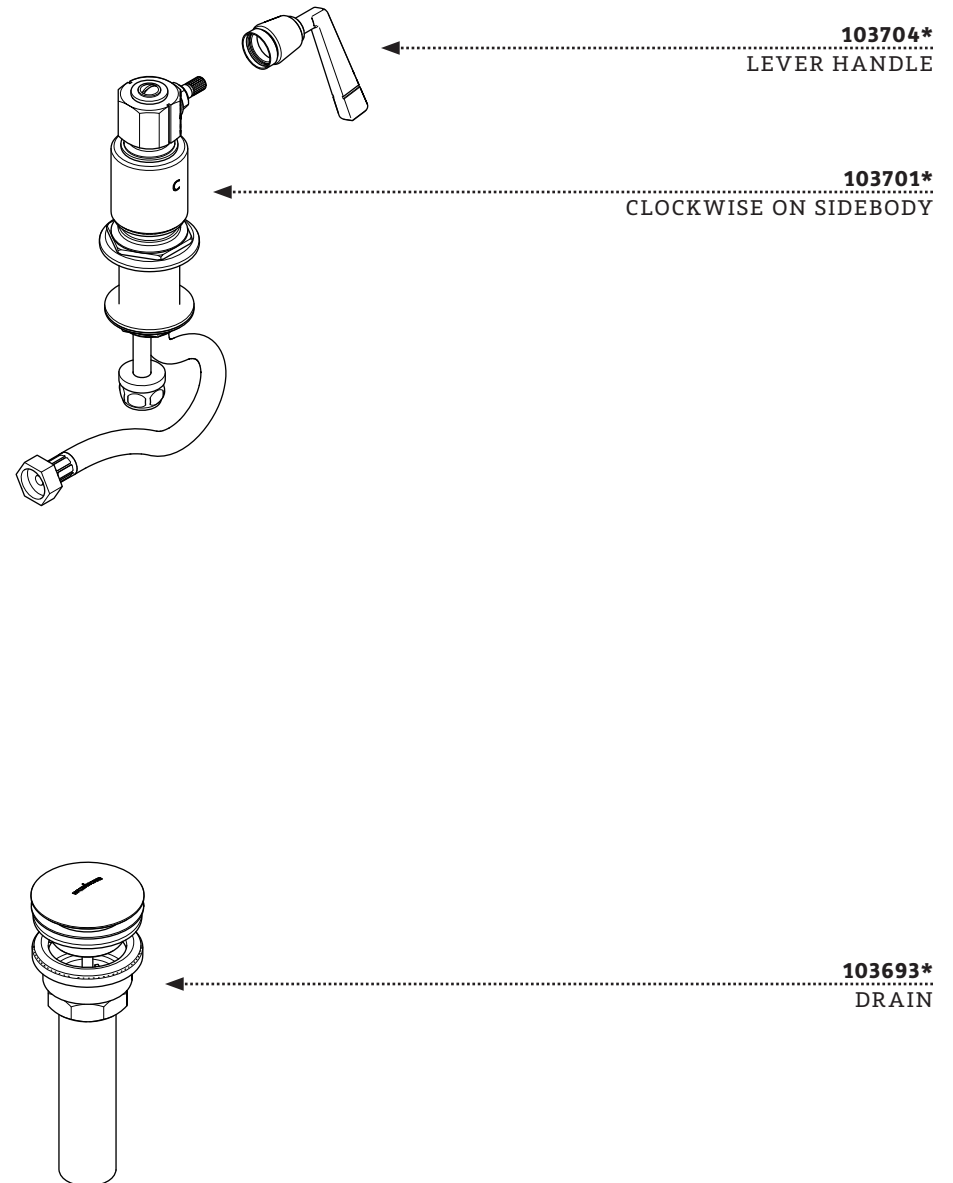
WATERWORKS

MAIN KITS

STYLES: RWLS10



*FINISH/COLOR MUST BE SPECIFIED WHEN ORDERING
++SUPPLIED AS A PAIR





ESTB. 1978

WATERWORKS

KIT COMPONENTS

STYLES: RWLS10

103702
3/8" COUNTERCLOCKWISE
ON CARTRIDGE



SIDE BODY



O-RING



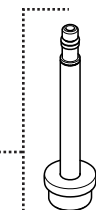
RUBBER WASHER



NUT



103706
SUPPLY TUBE

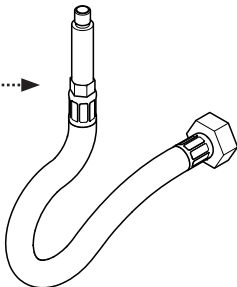


SUPPLY TUBE



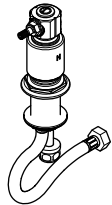
NUT

103705
HOSE



103700*

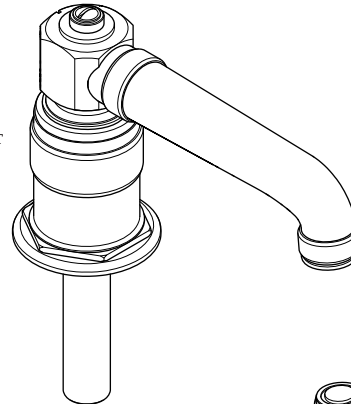
COUNTERCLOCKWISE
ON SIDEBODY



*FINISH/COLOR MUST BE SPECIFIED WHEN ORDERING
++SUPPLIED AS A PAIR

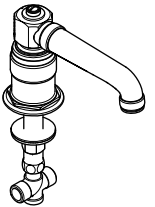
KIT COMPONENTS

SPOUT



103699*

SPOUT



103690

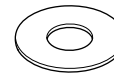
AERATOR



O-RING



RUBBER WASHER



METAL WASHER



NUT



103696
MOUNTING HARDWARE

RUBBER WASHER



TEE



103614

TEE



ESTB. 1978

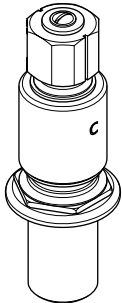
WATERWORKS

KIT COMPONENTS

103703
3/8" CLOCKWISE ON
CARTRIDGE



SIDE BODY



O-RING



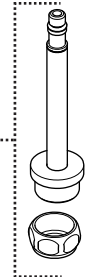
RUBBER WASHER



NUT



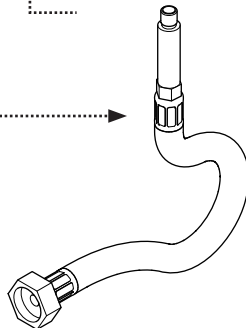
103706
SUPPLY TUBE



SUPPLY TUBE

NUT

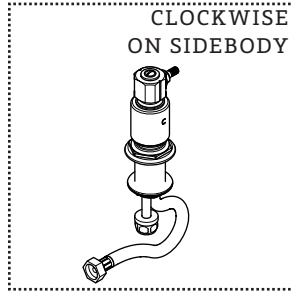
103705
HOSE



STYLES: RWLS10

103701*

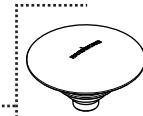
CLOCKWISE
ON SIDEBODY



*FINISH/COLOR MUST BE SPECIFIED WHEN ORDERING
++SUPPLIED AS A PAIR

KIT COMPONENTS

103692*
DRAIN STOPPER



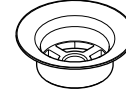
DRAIN STOPPER



DRAIN STOPPER
GASKET



SCREW



DRAIN FLANGE



FOAM WASHER



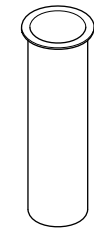
FORMED GASKET



LOWER DRAIN BODY



RUBBER WASHER



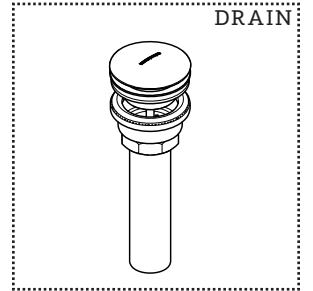
TAILPIECE



TAILPIECE NUT

103693*

DRAIN





ESTB. 1978

W A T E R W O R K S

SERVICE PARTS INDEX

<u>STYLE</u>	<u>DESCRIPTION</u>	<u>PG</u>
103703	3/8" CLOCKWISE ON CARTRIDGE	6
103702	3/8" COUNTERCLOCKWISE ON CARTRIDGE	4
103690	AERATOR	5
103701*	CLOCKWISE ON SIDEBODY	6
103700*	COUNTERCLOCKWISE ON SIDEBODY	4
103693*	DRAIN	7
103692*	DRAIN STOPPER	7
103705	HOSE	6
103704*	LEVER HANDLE	3
103696	MOUNTING HARDWARE	5
103699*	SPOUT	5
103706	SUPPLY TUBE	6
103614	TEE	5

STYLES: RWLS10

*FINISH/COLOR MUST BE SPECIFIED WHEN ORDERING
++SUPPLIED AS A PAIR

NOTES

DOCUMENT: SPRW01_REV01



ESTB. 1978

WATERWORKS

PRODUCT SUPPORT

60 BACKUS AVENUE

DANBURY, CT 06810

1 (800) 927-2120 (EXT 2)

WWW.WATERWORKS.COM