

Easton

EATH99

Easton Classic Thermostatic Control Valve Trim with Metal Blank Indice and Cross Handle



SHOWN IN EASTON CLASSIC THERMOSTATIC CONTROL VALVE TRIM WITH METAL BLANK INDICE AND CROSS HANDLE | EATH99

TECHNICAL DETAILS

ADA Compliance: Yes
 Depth/Width: 89 mm
 Height: 159 mm
 Index Color Finish And Material: White Porcelain
 Integrated Diverter: N
 Length: 152 mm
 Primary Material: Brass
 Suggested Application: Bath

INSPIRATION

Rooted in classical Edwardian design, Easton is our most expansive collection—offering a comprehensive family of pieces that bring polished detail and timeless tradition to any setting. Revered for its exquisite proportions and impeccable scale, Easton is a trusted choice among designers.

CODES & STANDARDS

PRODUCT FEATURES

Brass metal is used for all trim and valve components.

Optional handle materials include porcelain and semi-precious stones.

The manufacturing process encompasses casting, turning, forging, hand-fitting and hand polishing.

The pillowed propeller on the cross handle makes the product fit comfortably in the hand.

An extensive range of fittings, fixture and accessory options for the lavatory, bath and kitchen.

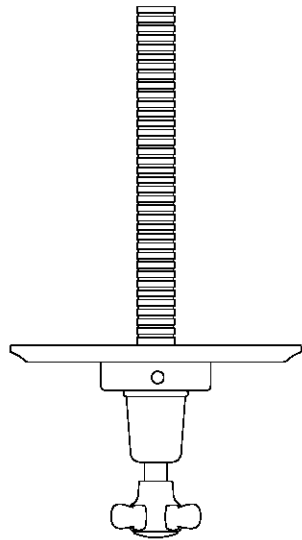
CERTIFICATIONS

Valve sold separately.
PRODUCT (NOTES)

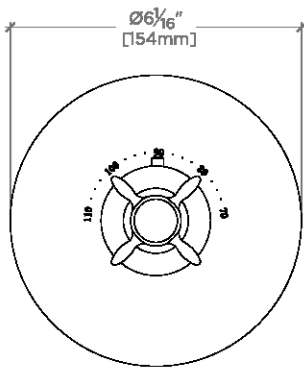
Easton

EATH99

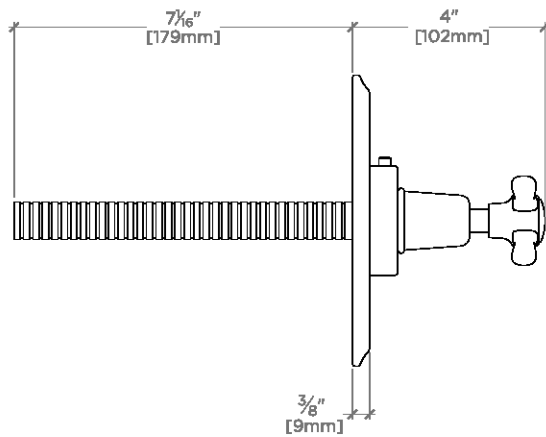
Easton Classic Thermostatic Control Valve Trim with Metal
Blank Indice and Cross Handle



TOP VIEW SCALE: 3"=1'-0"



FRONT VIEW SCALE: 3"=1'-0"



SIDE VIEW SCALE: 3"=1'-0"