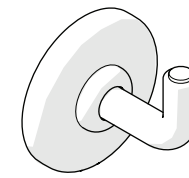


INSTALLATION GUIDELINES

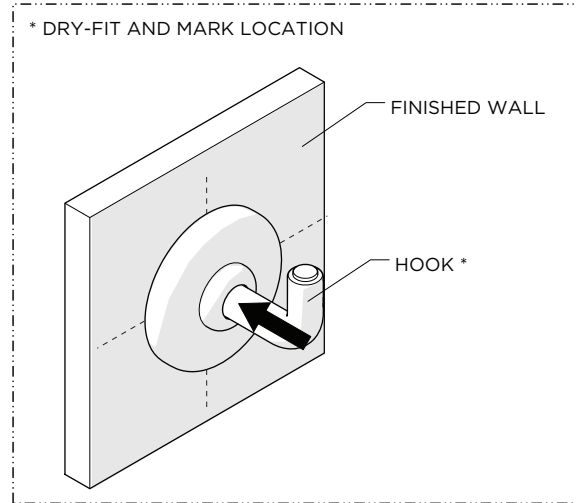


STYLE No. LDRH05

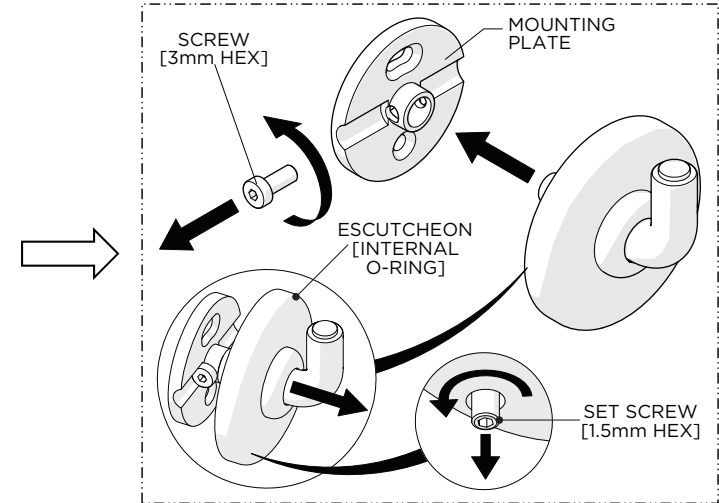
Ludlow Shinola Edition Single Robe Hook with Round Escutcheon

IMPORTANT:

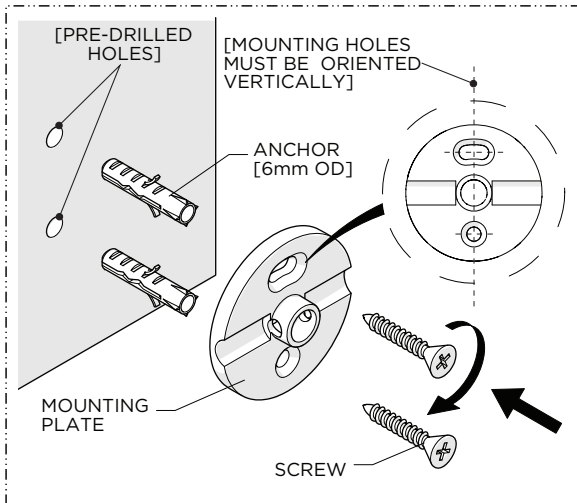
- To ensure this product is installed properly, you must read and follow these guidelines.
- The owner/user of this product must keep this information for further reference.
- This product must be installed by a professional licensed contractor.
- Inspect this product to ensure you have all the parts required for proper installation.
- If further assistance is required, please contact Product Support at 1-800-927-2120 Monday through Friday, 8am - 6pm EST.
- Refer to the separate Service Parts Documents for available replacement parts.



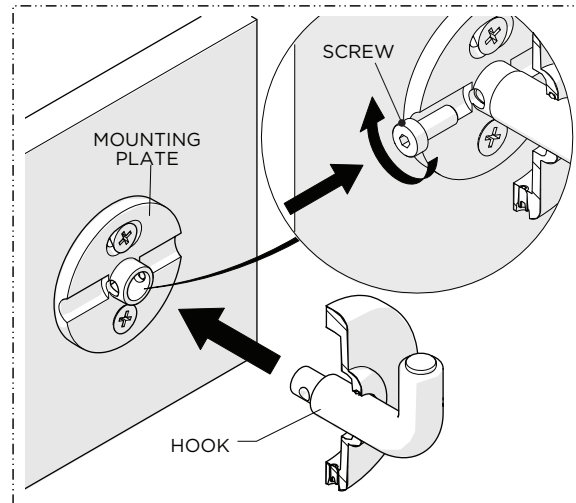
1. Dry-fit the ROBE HOOK to the finished wall and mark the ideal location.



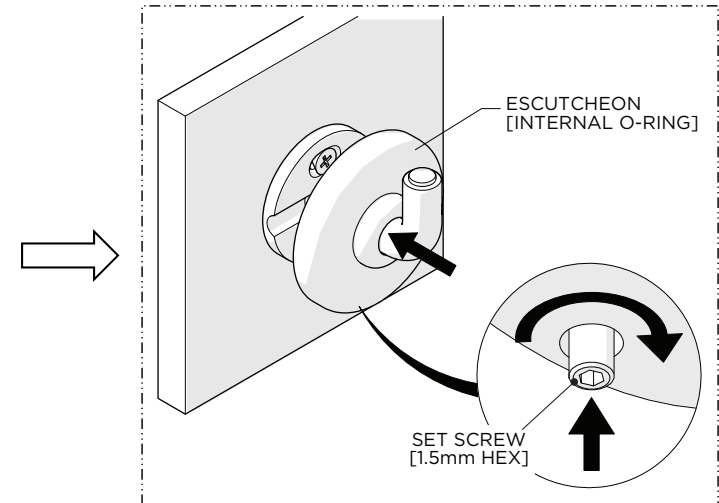
2. Loosen, but do **NOT** remove, the SET SCREW on the bottom of ESCUTCHEON and slide the ESCUTCHEON up the HOOK to expose the MOUNTING PLATE then unthread the SCREW to remove the PLATE.



3. Using the previous marks as a reference, install the MOUNTING PLATE using the SCREWS and ANCHORS provided.



4. Insert the HOOK and SCREW into the MOUNTING PLATE then thread and securely tighten the SCREW into the HOOK.



5. Slide the ESCUTCHEON down the HOOK until it contact the finished wall and securely tighten the SET SCREW.

CAUTION: Ensure the MOUNTING PLATE is in the proper orientation.