

Foro

FR2T10

Foro Two Way Diverter Valve Trim for Thermostatic with Metal Lever Handle



SHOWN IN FORO TWO WAY DIVERTER VALVE TRIM FOR THERMOSTATIC WITH METAL LEVER HANDLE | FR2T10

TECHNICAL DETAILS

ADA Compliance: Yes
Depth/Width: 90 mm
Height: 132 mm
Length: 114 mm
Valve Material: Ceramic

INSPIRATION

A mix of historical references, including finely etched vintage silver, come together in this twist on classical design - a wonderfully elegant formal statement.

CODES & STANDARDS

ASME A112.18.1/CSA B125.1, State of MA

PRODUCT FEATURES

Metal lever handle

For use with a Thermostatic shower system and two waterway outlets such as a handshower, shower head, and tub spout

Features signature engraving detail

Stocked in Nickel and Unlacquered Brass

Requires valve rough sold separately

CERTIFICATIONS

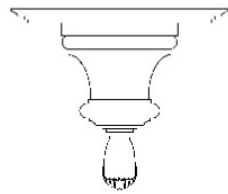


PRODUCT (NOTES)

Foro

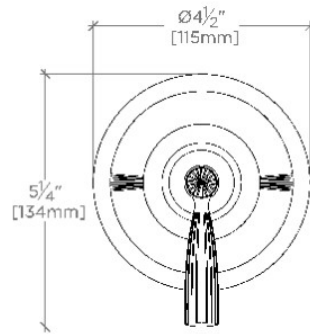
FR2T10

Foro Two Way Diverter Valve Trim for Thermostatic with Metal Lever Handle



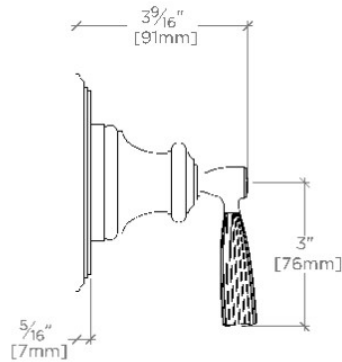
TOP VIEW

SCALE: 3"=1'-0"



FRONT VIEW

SCALE: 3"=1'-0"



SIDE VIEW

SCALE: 3"=1'-0"