

## JULIA

## JUTH61

Julia Thermostatic Control Valve Trim with White Porcelain Lever Handle



SHOWN IN JULIA THERMOSTATIC CONTROL VALVE TRIM WITH WHITE PORCELAIN LEVER HANDLE | JUTH61

### TECHNICAL DETAILS

ADA Compliance: Yes  
 Control Valve Rough-in Depth Maximum: 216 mm  
 Control Valve Rough-in Depth Minimum: 51 mm  
 Diverter Valve Rough-in Depth Maximum: 67 mm  
 Diverter Valve Rough-in Depth Minimum: 57 mm  
 Escutcheon Primary Material: Brass  
 Index Color / Finish and Material: Architectural Bronze  
 Depth / Width: 98 mm  
 Height: 165 mm  
 Index Marking: Blank  
 Integrated Diverter: N  
 Length: 152 mm  
 Number of Handles: One  
 Primary Material: Brass  
 Suggested Application: Bath

### INSPIRATION

An interpretation of 1920s French country, Julia speaks to decoration and intricate design displayed through beautifully composed turnings. These details embody the robust, signature high profile spout enabling Julia to transition fluidly from informal to formal environments.

### CODES & STANDARDS

Code # JUSV60: ASME A112.18.1 / CSA B125.1, IAPMO, State of MA

### PRODUCT FEATURES

White porcelain lever handle with metal index  
 Allows bather to adjust temperature of all waterway outlets with a hot limit safety stop providing anti-scald protection  
 Stocked in Chrome, Nickel, Matte Nickel, and Unlacquered Brass  
 Requires rough valve, sold separately: GUTH37 (US) / GU37TH (UK)

### CERTIFICATIONS



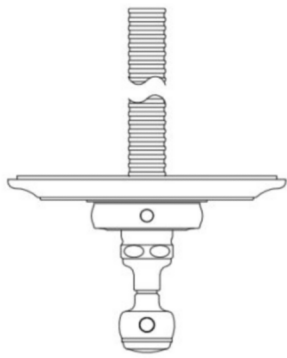
### PRODUCT (NOTES)

Required valve GUSV37 sold separately than trim.

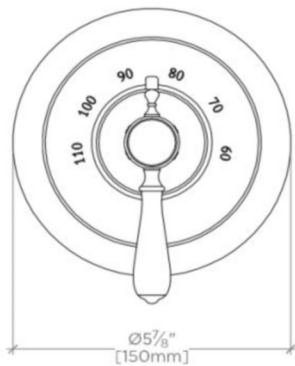
## JULIA

## JUTH61

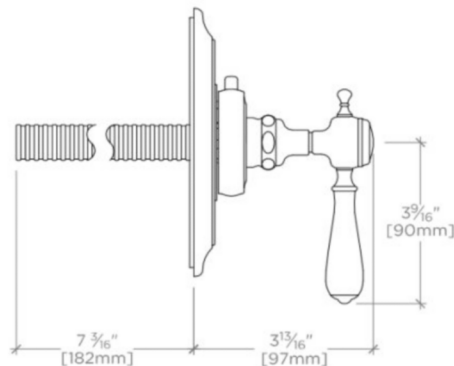
Julia Thermostatic Control Valve Trim with White Porcelain Lever Handle



TOP VIEW SCALE: 3"=1'-0"



FRONT VIEW SCALE: 3"=1'-0"



SIDE VIEW SCALE: 3"=1'-0"