

## HENRY

## HNLS01

Henry Low Profile Three Hole Deck Mounted Lavatory Faucet with Metal Cross Handles



SHOWN IN HENRY LOW PROFILE THREE HOLE DECK MOUNTED LAVATORY FAUCET WITH METAL CROSS HANDLES| HNLS01

### TECHNICAL DETAILS

ADA Compliance: Yes  
 Adjustable versus Fixed Spray: Fixed Spray  
 Deck Thickness Maximum: 1 5/8"  
 Deck Thickness Minimum: 3/16"  
 Drain Depth Maximum: 2 5/8"  
 Drain Hole Diameter: 1 3/4"  
 Escutcheon Primary Material: Brass  
 Fittings Hole Diameter: 1 1/4"  
 Handle Spread Maximum: 12"  
 Handle Spread Minimum: 8"  
 Handle Turn Angle: Quarter Turn  
 Depth / Width: 7 5/8"  
 Drain Depth Minimum: 3/8"  
 Height: 3 5/8"  
 Inlet Connection Size: 1/2"  
 Inlet Connection Type: Male with Supply Nut  
 Inlet Supply Spread Maximum: 12"  
 Inlet Supply Spread Minimum: 8"  
 Installation Type: Deck Mounted  
 Integrated Diverter: N  
 Integrated Spray: N  
 Number of Handles: Two  
 Number of Holes: Three Hole  
 Primary Material: Brass  
 Restricted Maximum Flow Rate: 1.2 gpm  
 Spout Swivel: N  
 Spray Included in Unit: N  
 Suggested Application: Bath  
 Valve Material: Ceramic  
 Water Pressure Maximum: 85.0 psi  
 Water Pressure Minimum: 20.0 psi  
 Water Pressure Recommended: 45.0 psi

### INSPIRATION

Influenced by the connection of industry and art Henry easily transitions between modern, traditional, utilitarian and classic settings.

### CODES & STANDARDS

Code # HNLS01X: Complies with ASME A112.18.1/CSA B125.1, ASME A112.18.2 / CSA B125.2, NSF, CEC 61, ADA and 0.25% Weighted Average Lead Content. Certified with IAPMO, cUPC, NSF, CEC and State of MA.

### PRODUCT FEATURES

Metal cross handles  
 Includes European size push touch drain  
 The manufacturing process encompasses casting, turning, forging, hand-fitting and hand polishing.  
 Stocked in Chrome, Nickel, Matte Nickel, and Unlacquered Brass  
 Available in 1.2gpm (4.5L/min) flow rate

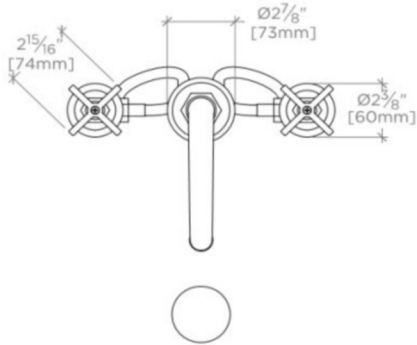
### CERTIFICATIONS



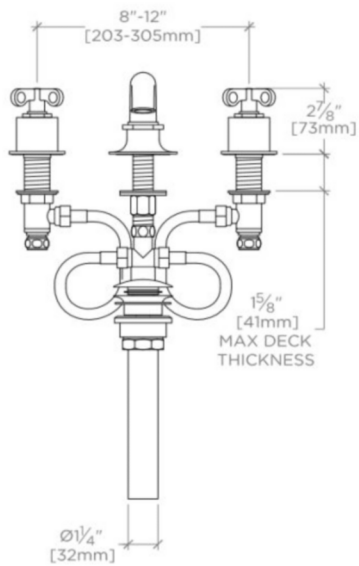
## HENRY

HNLS01

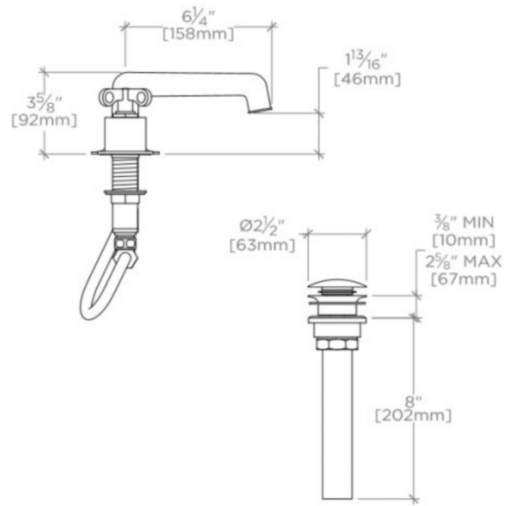
Henry Low Profile Three Hole Deck Mounted Lavatory Faucet with Metal Cross Handles



TOP VIEW SCALE: 1 1/2"=1'-0"



FRONT VIEW SCALE: 1 1/2"=1'-0"



SIDE VIEW SCALE: 1 1/2"=1'-0"