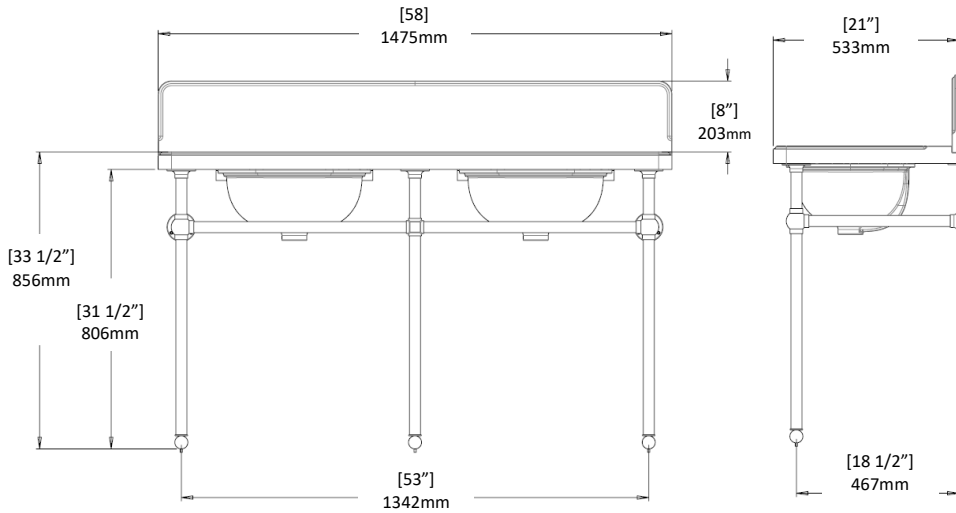


WATERWORKS INSTALLATION GUIDELINES

Universal Metal Round Three Leg Double Washstand 56" x 20" x 31 1/2" with MRLVCU Sink and 56" 5CM Reverse Ogee Slab and Backsplash



TECHNICAL DETAILS:

DETAIL	SPECIFICATION
ADJUSTABLE LEVELERS/FEET	YES
LEG MATERIAL	BRASS
TUBE SIZE	1 1/4" [32mm]
SLAB THICKNESS	2" [50mm]
WEIGHT (LEGS ONLY)	16 1/2 LBS [10KG]
WEIGHT (MARBLE TOP)	190 LBS [86KG]

Contents

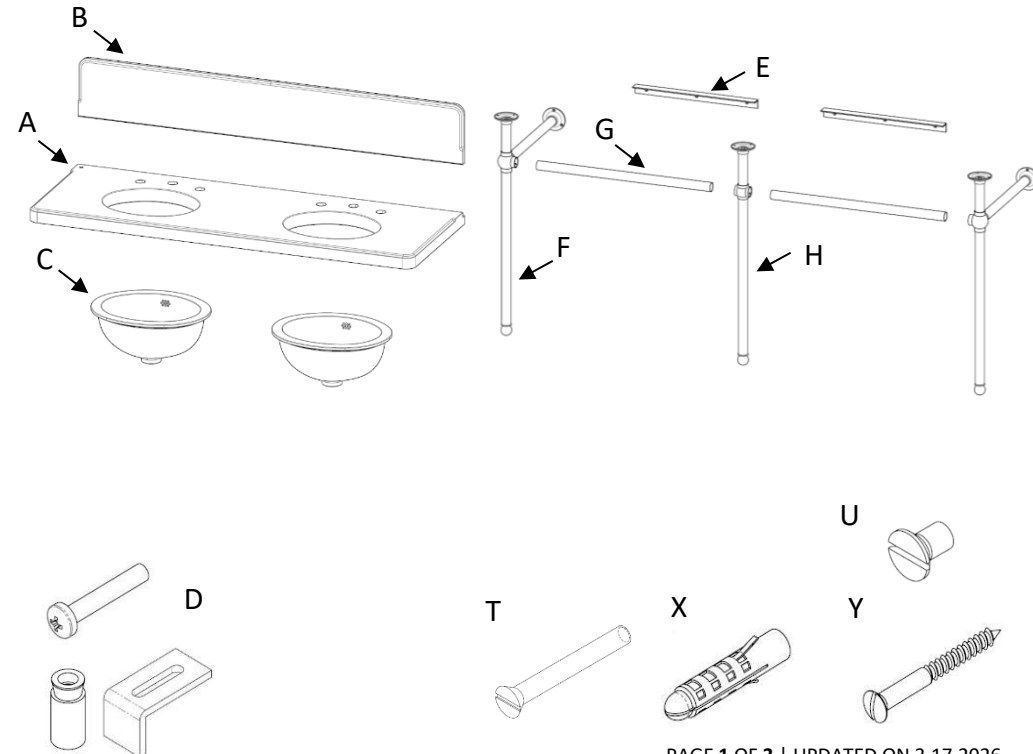
- | | | |
|-----------------------------|--------------------------------------|------------------------|
| A. Slab Top | E. 2 x Wall Support Bracket (UNSS92) | T. 4 x M5 Screws |
| B. Backsplash | F. 2 x Leg Assembly | U. 4 x CSK screw |
| C. 2 x MRLVCU Sink | G. Front Bar | X. 12 x Wall Anchors |
| D. Sink Fixing Kit (KSSS99) | H. Middle Leg Assembly | Y. 12 x 2" Wall Screws |

WARNING:

- This product is extremely heavy. It is **STRONGLY** recommended that 2 or more persons install this product.
- If no blocking has been installed **STOP** this installation until structural blocking is available.

IMPORTANT:

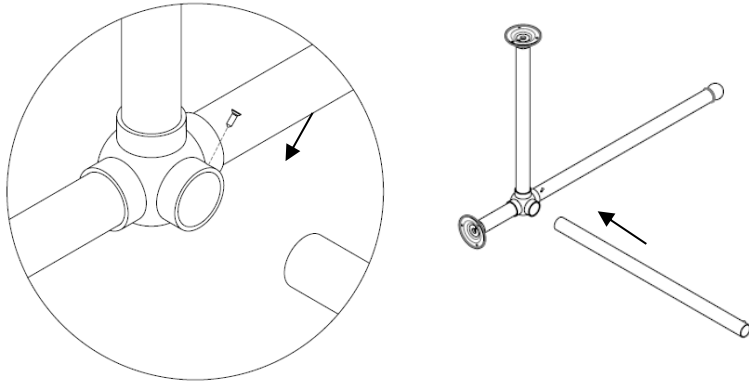
- To ensure this product is installed properly, you must read and follow these guidelines.
- The owner/user of this product must keep this information for future reference.
- This product must be installed by a professional licensed contractor.
- Be sure your installation conforms to federal, state, and local codes. In the State of Massachusetts, all installations must comply with the rules and regulations set forth within 248 CMR.
- Inspect this product to ensure you have all the parts required for proper installation.
- CAUTION: Use only a strap wrench or protected/smooth-jaw wrench on ANY finished surface.
- Ensure the floor is level and the weight of this product will be adequately supported.
- The use of certain plumber's putty may stain stone or tile surfaces.
- CAUTION: Take caution when applying the silicone and only use the necessary amount to ensure it won't cause staining.
- Use painter's tape to ensure a clean application.
- If further assistance is required, please contact Product Support at 1-800-927-2120 Monday through Friday, 8am – 6pm EST.



WATERWORKS INSTALLATION GUIDELINES

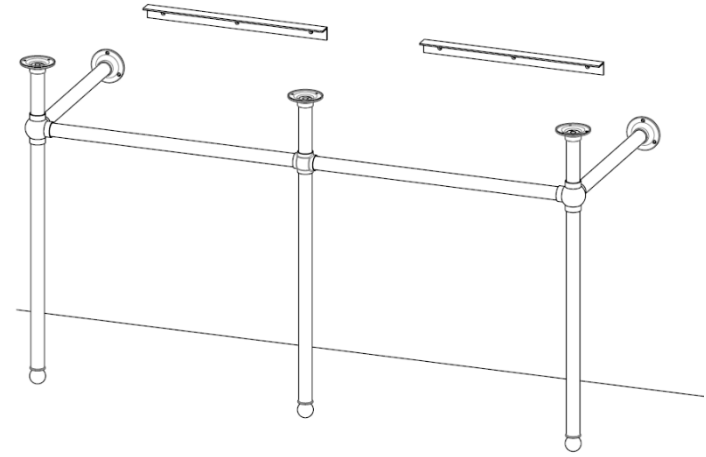
Universal Metal Round Three Leg Double Washstand 56" x 20" x 31 1/2" with
MRLVCU Sink and 56" 5CM Reverse Ogee Slab and Backsplash

Fig 1



1. Before installation, plan and ensure that there are the necessary structural blocking and holes for pipework already prepared.
2. Insert Front Bar (G) into each of the sockets located on the Leg Assemblies (F) & Middle Leg Assembly (H) and secure with the CSK Fixing Screw (U). Refer to **Fig. 1**.
3. Locate the centerline of the washstand. Measure 31 1/2" up from the finished floor and position the Wall Support Bracket (E) at this height, ensuring it is mounted into structural blocking. Use the provided countersink Wall Screws (Y) to secure the bracket to the wall. Confirm the bracket is level using a spirit level. Refer to **Fig. 2**.

Fig 3



4. Place the fully assembled washstand in position. Mark, drill through the screw holes, and secure to the wall with the Wall Screws (Y) provided. Refer to **Fig. 3**.
5. Position the Sink (C) on the underside of the Slab Top (A), ensuring correct alignment. Apply a suitable adhesive (not supplied) to fix the Sink in place. While the adhesive cures, use the provided Sink Fixing Kit (D) to secure the Sink in place. Refer to **Fig. 4**.
6. [Two people required] Dry-fit all components. Use a level to check that the frame is straight. If necessary, make minor adjustments by rotating the feet to achieve proper alignment.
7. Thoroughly clean all contact surfaces to remove dust, debris, or oils that may affect adhesion.
8. Then apply adhesive silicone onto the Wall Support Bracket (E) and the top of the Leg Assemblies (F), then re-fit the Slab Top (A).

Fig 2

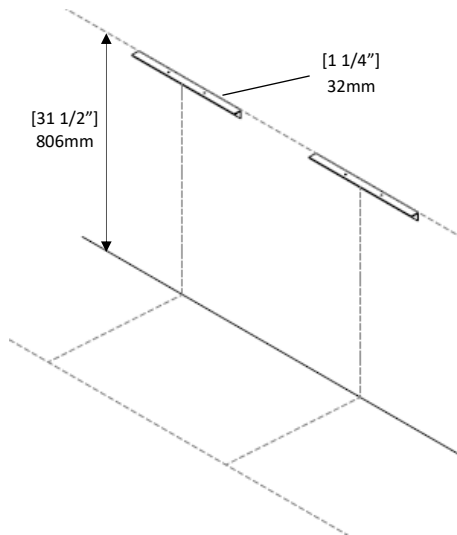
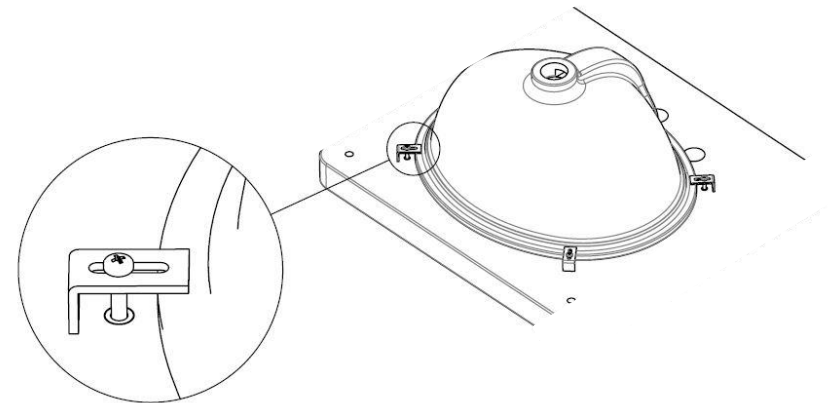
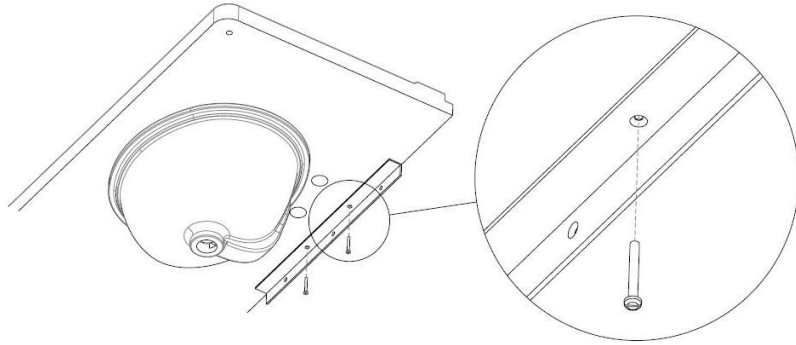


Fig 4



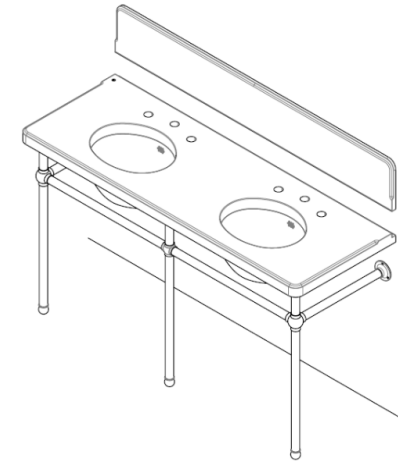
WATERWORKS INSTALLATION GUIDELINES

Fig 5



9. Position the Sink (C) on the underside of the Slab Top (A), ensuring correct alignment. Apply a suitable adhesive (not supplied) to fix the sink in place. While the adhesive cures, use the provided Sink Fixing Kit (D) to secure the sink in place. Refer to **Fig. 5**.
10. [Two people required] Dry-fit all components. Use a level to check that the frame is straight. If necessary, make minor adjustments by rotating the feet to achieve proper alignment.
11. Thoroughly clean all contact surfaces to remove dust, debris, or oils that may affect adhesion.
12. Then apply adhesive silicone (not supplied) onto the Wall Support Bracket (E) and the top of the Leg Assemblies (F), then re-fit the Slab Top (A).

Fig 6



13. Use the M5 Screws (T) provided to secure the Slab Top (A) to the Wall Support Bracket (E). Refer to **Fig. 6**.
14. Apply adhesive silicone (not supplied) to the back of the Backsplash (B). Position it carefully against the wall and Slab Top (A), pressing firmly into place. Hold or support it as needed until the adhesive has cured sufficiently. Refer to the adhesive manufacturer's instructions for cure time.
15. Apply a suitable silicone sealant (not supplied) to all exposed joints and edges where the Slab Top (A) and Backsplash (B) meet the wall. Wipe away any excess for a clean finish.
16. Once all adhesive and sealants have fully cured, proceed to connect the plumbing fixtures and faucet according to the manufacturer's instructions.