

DASH

DS3T10

Three Way Thermostatic Diverter Valve Trim



SHOWN IN THREE WAY THERMOSTATIC DIVERTER VALVE TRIM | DS3T10

TECHNICAL DETAILS

ADA Compliance: Yes
 Depth/Width: 2 7/8"
 Escutcheon Primary Material: Brass
 Fittings Hole Diameter: 2 1/2"
 Handle Turn Angle: Full Turn
 Installation Type: Wall Mounted
 Length: 3 3/4"
 Primary Material: Brass
 Suggested Application: Bath

INSPIRATION

An imaginative blend of art and function, Dash pays homage to design elements of the 1930s with pared-down shapes, softened curves and minimal details.

CODES & STANDARDS

State of MA

PRODUCT FEATURES

Metal Lever Handle

For use with a Thermostatic shower system and three waterway outlets such as a handshower, shower head, or tub spout

Roman Numeral Icons

Stocked in Nickel, Chrome, Unlacquered Brass, and Matte Nickel finishes

Requires valve rough GUDV66(USA) or GU66DV(UK) sold separately.

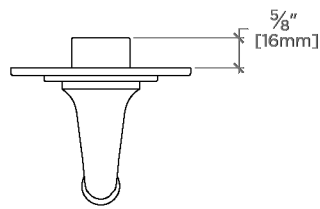
CERTIFICATIONS



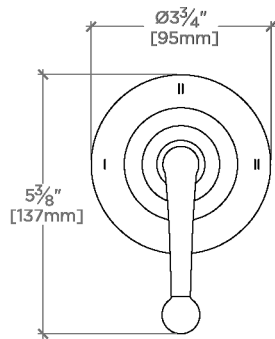
PRODUCT (NOTES)

Product Requires Universal Three Way Diverter Valve for Thermostatic Shower Systems [GUDV66]. Valve Sold Separately.

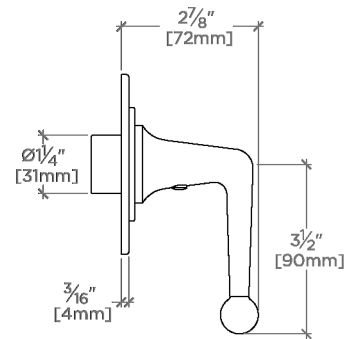
Three Way Thermostatic Diverter Valve Trim



TOP VIEW SCALE: 3"=1'-0"



FRONT VIEW SCALE: 3"=1'-0"



SIDE VIEW SCALE: 3"=1'-0"