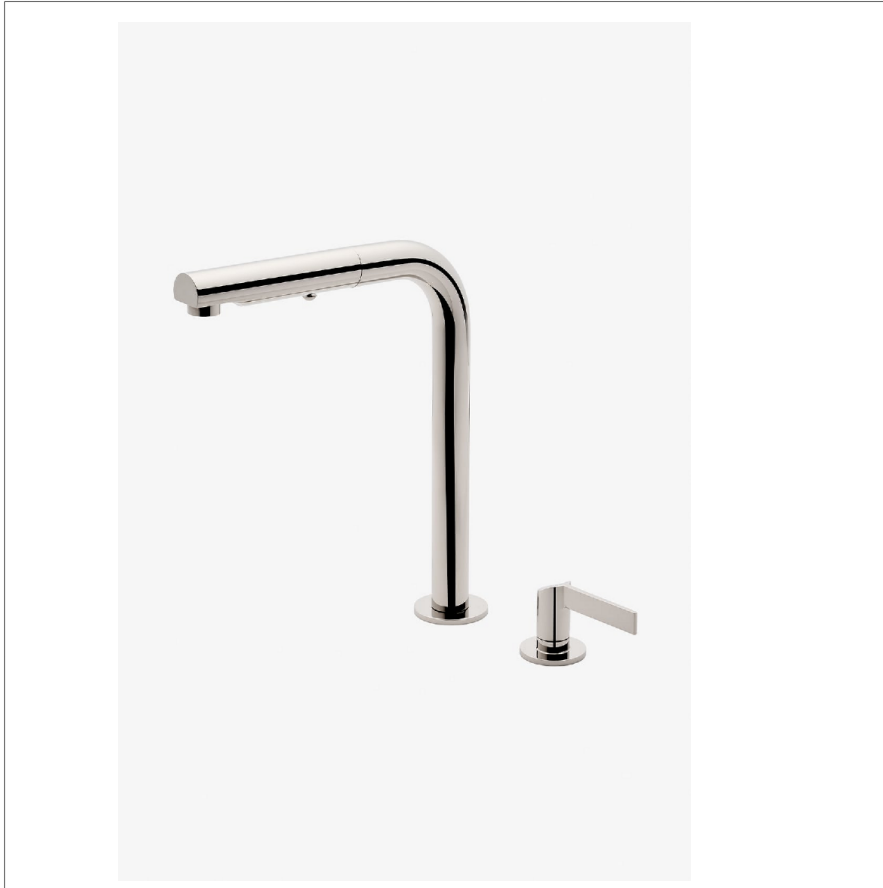


FINOT

NKM260

Finot Two Hole Kitchen Mixer with Slope Lever Handle and Integrated Pull Spray



SHOWN IN FINOT TWO HOLE KITCHEN MIXER WITH SLOPE LEVER HANDLE AND INTEGRATED PULL SPRAY | NKM260

TECHNICAL DETAILS

ADA Compliance: Yes
Deck Thickness Maximum: 44 mm
Deck Thickness Minimum: 6 mm
Fittings Hole Diameter: 35 mm
Handle Turn Angle: Quarter Turn
Inlet Connection Size: 3/8"
Inlet Connection Type: Compression Connection
Hoses
Restricted Maximum Flow Rate: 6.6 liters/min
Spout Swivel: Y
Water Pressure Maximum: 6.0 bar
Water Pressure Minimum: 1.5 bar
Water Pressure Recommended: 3.0 bar

INSPIRATION

Finot seamlessly blends meticulous details with contemporary sensibility. A true integration of design and engineering expertise, this collection is comprised of parts that are decisively cast and forged to achieve painstaking precision and refinement.

CODES & STANDARDS

NKM260X, NSF/ANSI/CAN 61:Q < 1, NSF/ANSI/CAN 372, ASME A112.18.1/CSA B125.1

PRODUCT FEATURES

Slope Handle

The pull-out spray faucet switches between an aerated stream and a jet spray, with a sliding button that locks the spray mode.

The handle is recommended for right-side installation. The progressive valve operates clockwise from off to cold to hot.

Stocked in Chrome, Nickel, Brass and Dark Nickel

CERTIFICATIONS



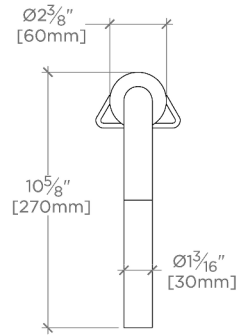
PRODUCT (NOTES)

WATERWORKS

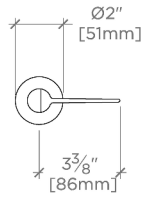
FINOT

NKM260

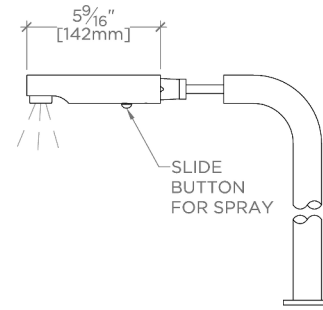
Finot Two Hole Kitchen Mixer with Slope Lever Handle and Integrated Pull Spray



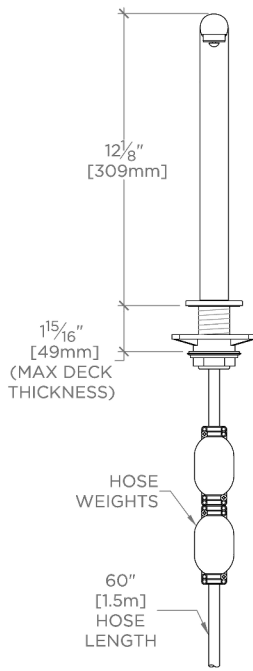
TOP VIEW



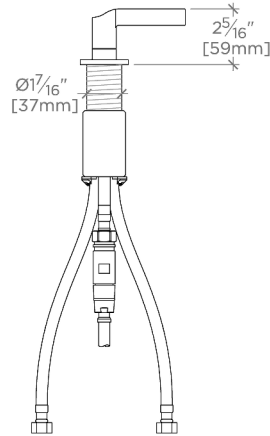
SCALE: 1/2"=1'-0"



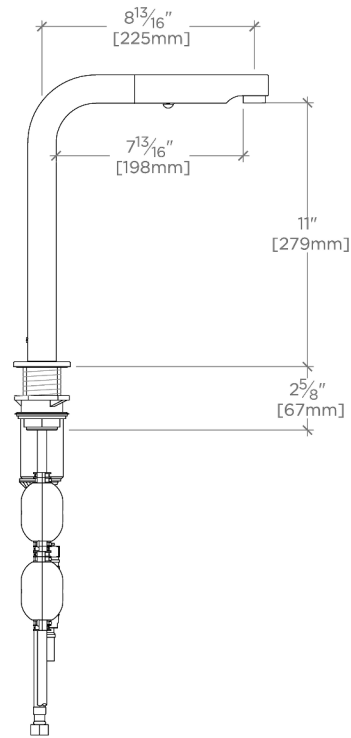
SPRAY OPERATION



FRONT VIEW



SCALE: 1/2"=1'-0"



SIDE VIEW

SCALE: 1/2"=1'-0"