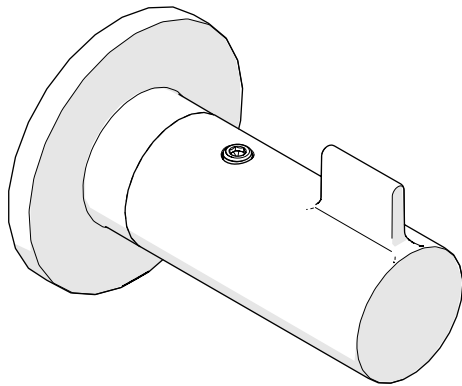


# INSTALLATION GUIDELINES

## UNIVERSAL SINGLE OR DOUBLE SIDED GLASS MOUNT ADAPTER

# WATERWORKS

### FINOT GLASS MOUNTED ROBE HOOK



#### STYLES

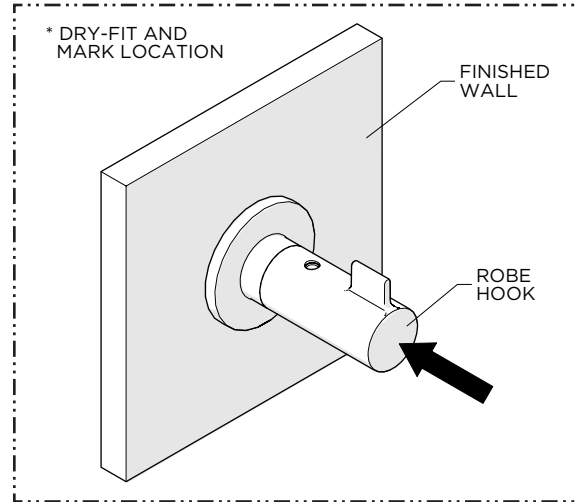
NORHG1 [SHOWN]	NORHG2
NRHG1S	NRHG2S

#### IMPORTANT:

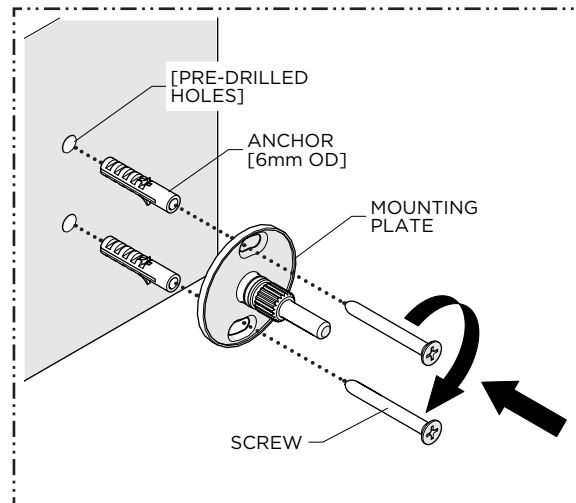
- To ensure this product is installed properly, you must read and follow these guidelines.
- The owner/user of this product must keep this information for future reference.
- This product must be installed by a professional licensed contractor.
- Inspect this product to ensure you have all the parts required for proper installation.
- Use only a strap wrench or protected/smooth-jaw wrench on any finished surface.
- DRYWALL ANCHORS for a typical drywall installation are provided. Do **NOT** use the ANCHORS if mounting directly onto wood blocking or a stud.
- If further assistance is required, please contact Product Support at 1-800-927-2120 Monday through Friday, 8am - 6pm EST.
- Refer to the separate Service Parts Documents for available replacement parts.

#### TECHNICAL DETAILS:

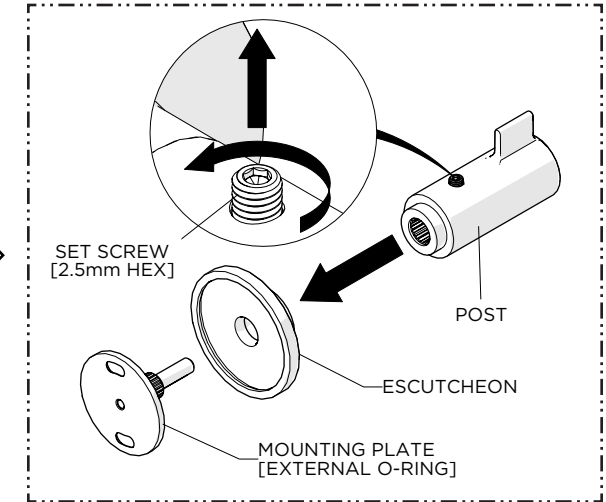
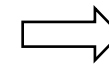
DETAIL	SPECIFICATION
PRIMARY MATERIAL	BRASS



1. Dry-fit the ROBE HOOK to the finished wall and mark the ideal location.

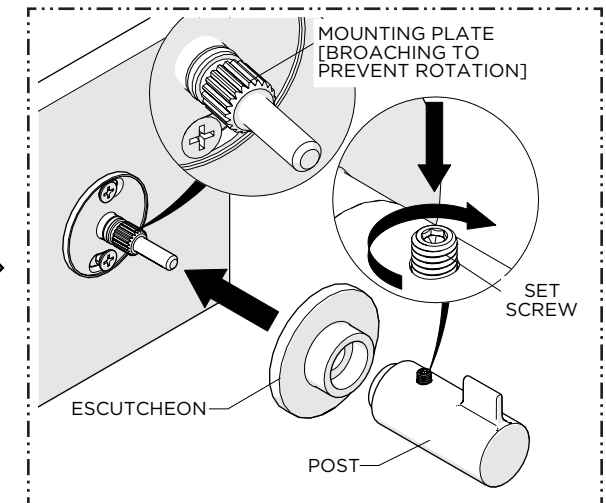
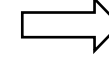


3. Using the previous marks as a reference, install the MOUNTING PLATE using the ANCHORS, if necessary, and SCREWS provided.



2. Loosen, but do **NOT** remove, the SET SCREW on the POST and remove the MOUNTING PLATE and ESCUTCHEON.

**NOTE:** Do **NOT** remove the O-RING on the MOUNTING PLATE.

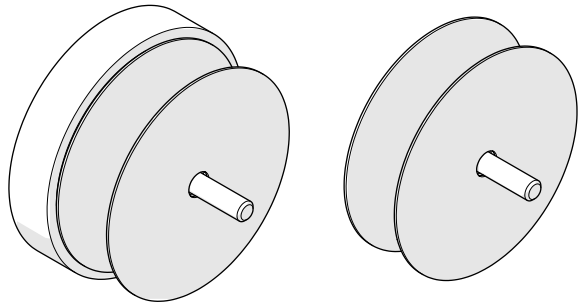


4. Slide the ESCUTCHEON and POST onto the MOUNTING PLATE then thread and securely tighten the SET SCREW.

**NOTE:** The STEM on the MOUNTING PLATE is broached to prevent the POST from rotating.

# INSTALLATION GUIDELINES

## UNIVERSAL SINGLE OR DOUBLE SIDED GLASS MOUNT ADAPTER



STYLES	
100600	100601

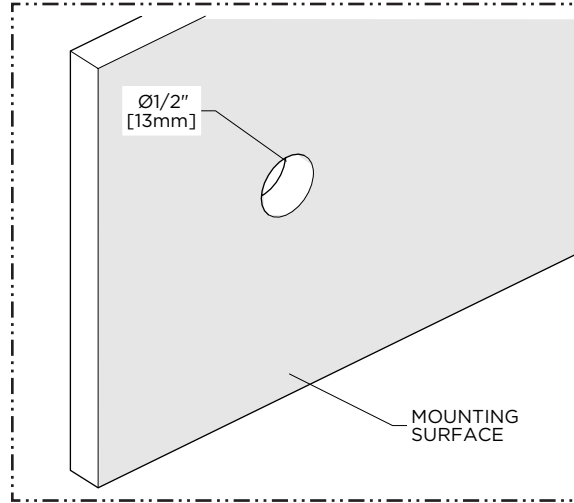
### IMPORTANT:

- To ensure this product is installed properly, you must read and follow these guidelines.
- The owner/user of this product must keep this information for future reference.
- This product must be installed by a professional licensed contractor.
- This product can be installed on glass that ranges from 1/4" [6mm] - 7/8" [22mm] thickness using the hardware (or SET SCREWS) provided.

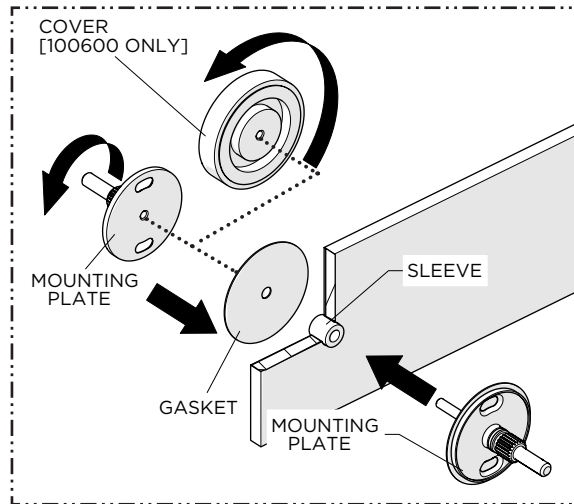
### LENGTH:

SET SCREW	GLASS THICKNESS RANGE
25mm	1/4" [6mm] - 3/8" [10mm]
30mm	1/2" [13mm] - 5/8" [16mm]
35mm	3/4" [19mm] - 7/8" [22mm]

- This product requires a 1/2" [13mm] hole for proper installation. If using this product with a TOWEL BAR or SHELF, verify the on-center spread of the specific product being used **before** drilling the 1/2" [13mm] holes.
- To avoid damaging the product, do **NOT** use power tools during installation.
- If further assistance is required, please contact Product Support at 1-800-927-2120 Monday through Friday, 8am - 6pm EST.



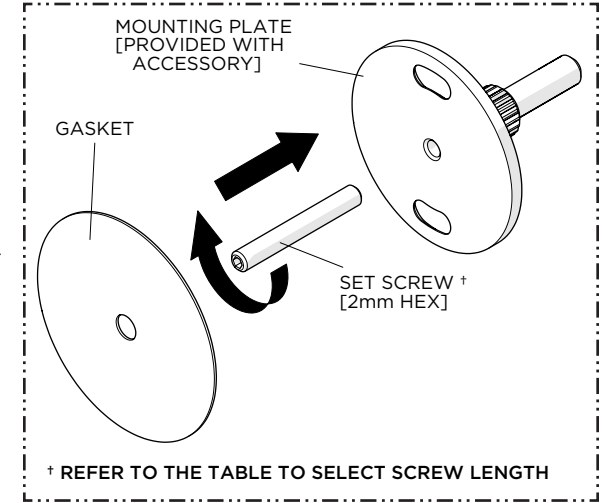
1. Ensure any pre-drilled hole is a 1/2" [13mm].



3. Insert the SLEEVE into the pre-drilled hole, insert the SET SCREW through the SLEEVE, and slide the second GASKET onto the SCREW then thread the COVER, or second MOUNTING PLATE, onto the SCREW.

**NOTE:** Make sure to use the GASKETS provided to protect the mounting surface.

# WATERWORKS



† REFER TO THE TABLE TO SELECT SCREW LENGTH

2. Thread the appropriate length SET SCREW into the MOUNTING PLATE then slide the GASKET over the SCREW.

**NOTE:** 3 different length SET SCREWS are provided.

**FINISH THE INSTALLATION FOLLOWING THE GUIDELINES PROVIDED WITH THE ACCESSORY BEING USED.**