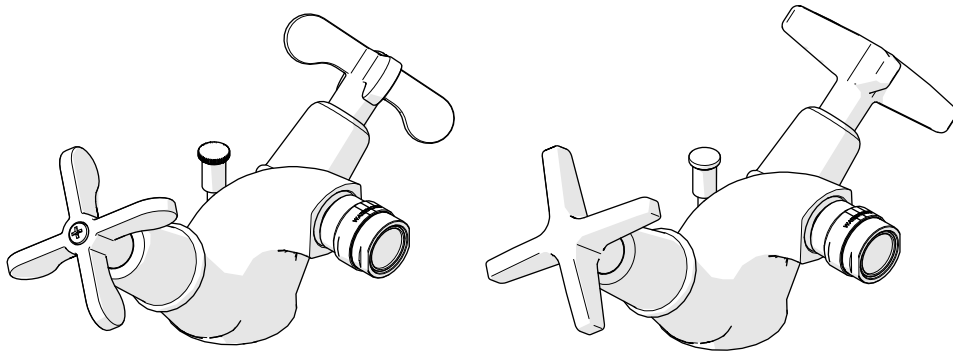


INSTALLATION GUIDELINES

BIDET FITTING

HENRY OR HENRY CHRONOS ONE HOLE BIDET FITTING WITH CROSS HANDLES



STYLES	
HNBF20	CNBF20

IMPORTANT:

- To ensure this product is installed properly, you must read and follow these guidelines.
- The owner/user of this product must keep this information for future reference.
- This product must be installed by a professional licensed contractor.
- Ensure the installation conforms to all federal, state, and local codes. In the State of Massachusetts, all installations must comply with the rules and regulations set forth within 248 CMR.
- Inspect this product to ensure you have all the parts required for proper installation.
- Product is sold partially assembled but shown fully disassembled for illustrative and service purposes only.
- **CAUTION:**
 - Use only a strap wrench or protected/smooth-jaw wrench on ANY finished surface.
 - Flushing the SUPPLY VALVES (**sold separately**) prior to installing the BIDET FITTING is recommended. Flushing can prevent damage to the CARTRIDGES and other internal components.
- The use of certain plumber's putty may stain stone or tile surfaces.

- If further assistance is required, please contact Product Support at 1-800-927-2120 Monday through Friday, 8am - 6pm EST.
- Refer to the separate Service Parts Documents for available replacement parts.

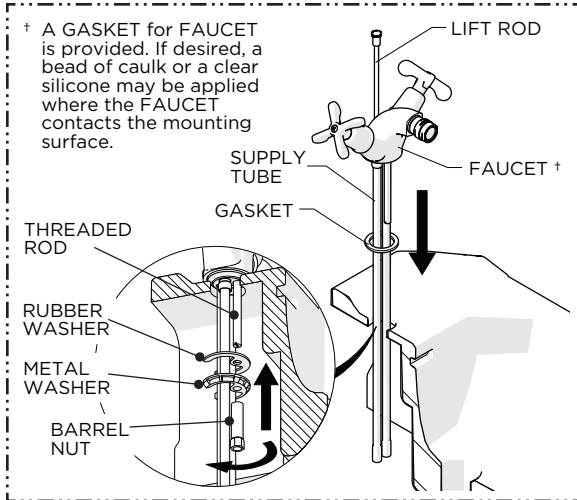
TECHNICAL DETAILS:

DETAIL	SPECIFICATION
ADJUSTABLE VERSUS FIXED SPRAY	FIXED SPRAY
DECK THICKNESS MAXIMUM	1-9/16" [39mm]
DRAIN DEPTH	1-1/2" [38mm] MIN 2-1/4" [57mm] MAX
DRAIN HOLE DIAMETER	Ø1-1/2" [38mm]
DRAIN STYLE	POP-UP
FITTINGS HOLE DIAMETER	Ø1-3/8" [35mm]
INLET CONNECTION	3/8" O.D. SUPPLY TUBING †
PIVOT	YES
SPOUT REACH	4-1/8" [105mm]
WATER PRESSURE RANGE	20psi [1.5bar] MIN 85psi [6.0bar] MAX
WATER PRESSURE RECOMMENDED	45psi [3.0 bar]

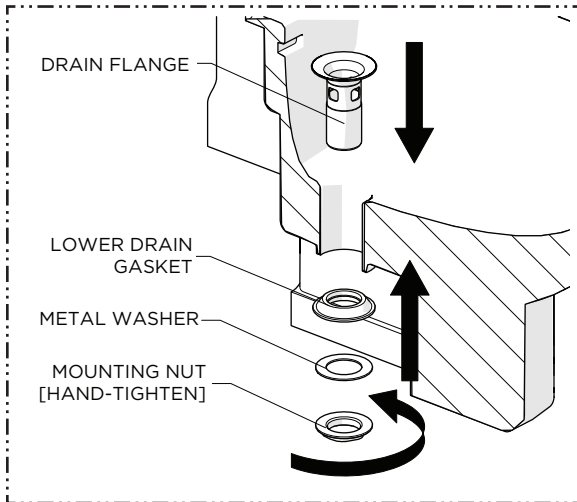
† For **INTERNATIONAL INSTALLATIONS:** Supply tubes can be field cut.

INSTALLATION GUIDELINES

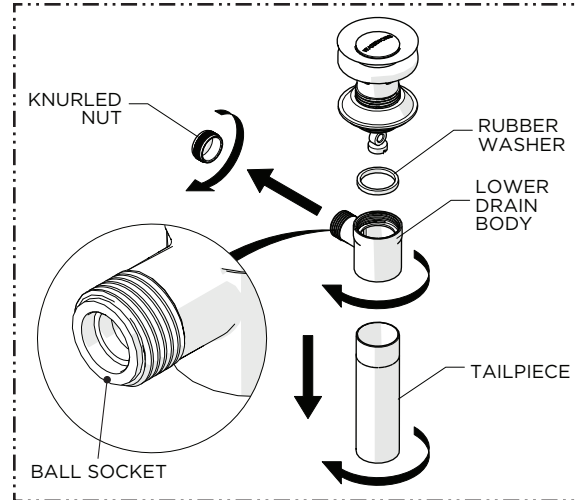
BIDET FITTING



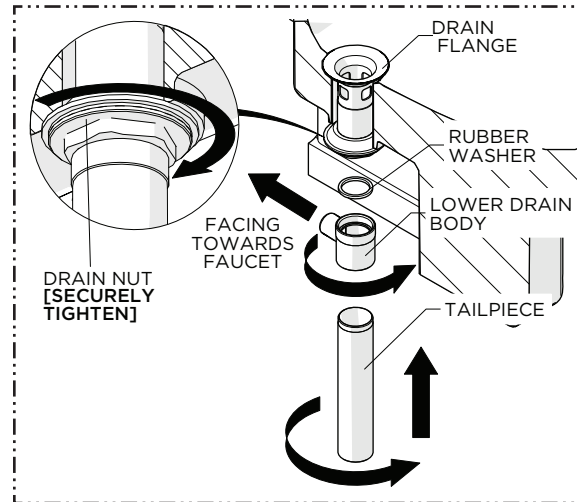
1. Insert the SUPPLY TUBES and THREADED ROD through the mounting hole using the GASKET PROVIDED. Attach the WASHERS onto the THREADED ROD, making sure not to obstruct the TUBES or LIFT ROD, then thread and securely tighten the BARREL NUT.



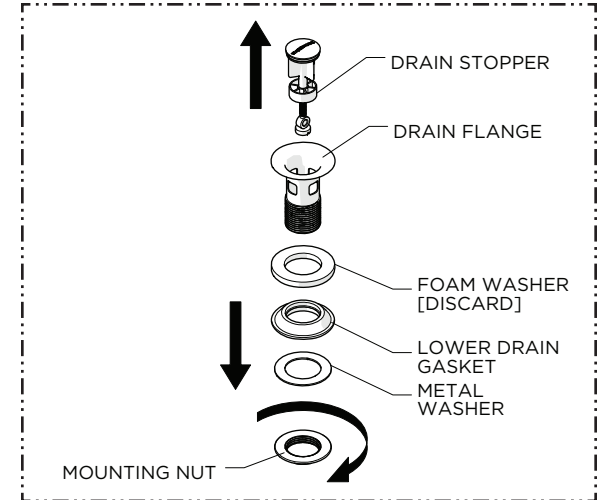
4. Set the DRAIN FLANGE into the BIDET (**sold separately**) using putty or a clear adhesive silicone. Re-attach the LOWER DRAIN GASKET and METAL WASHER then hand-tighten the MOUNTING NUT.



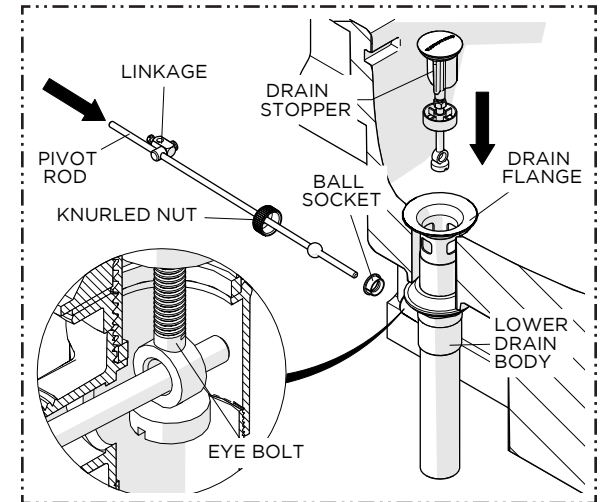
2. Remove the TAILPIECE and LOWER DRAIN BODY from the DRAIN FLANGE then remove the KNURLED NUT from the LOWER DRAIN BODY.
- NOTE:** Do **NOT** discard the BALL SOCKET or RUBBER WASHER.



5. Using the WASHER provided, thread the LOWER DRAIN BODY back onto the FLANGE. Ensure the DRAIN BODY is positioned towards the FAUCET then securely tighten the DRAIN NUT. Ensure the GASKET makes a full seal on the underside of the BIDET. Thread and securely tighten the TAILPIECE back into the LOWER DRAIN BODY.



3. Remove the MOUNTING NUT, METAL WASHER, LOWER DRAIN GASKET and DRAIN STOPPER from the DRAIN FLANGE.

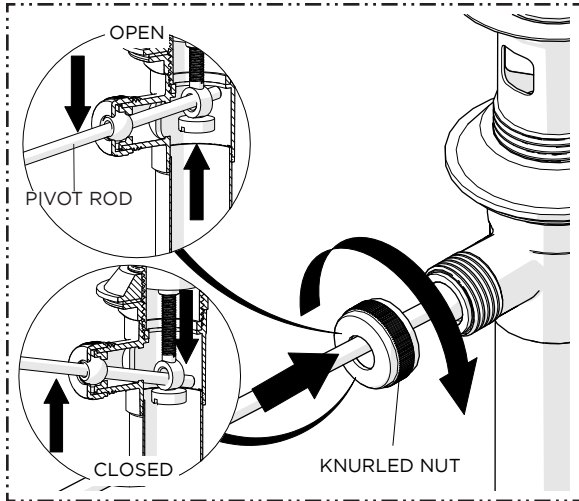


6. Insert the DRAIN STOPPER into the DRAIN FLANGE then insert the PIVOT ROD into the LOWER DRAIN BODY making sure the ROD passes through the EYEBOLT.

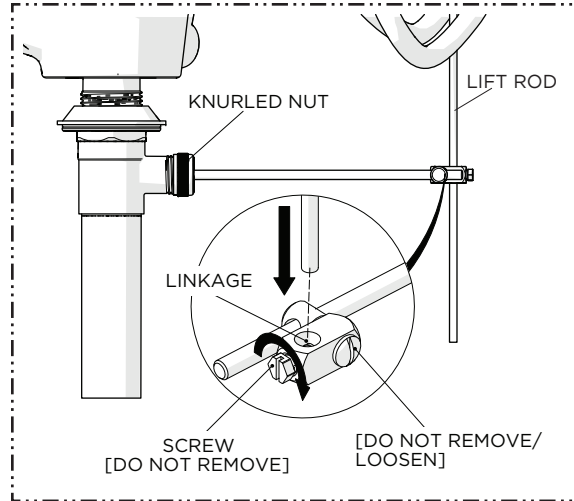
INSTALLATION GUIDELINES

BIDET FITTING

WATERWORKS

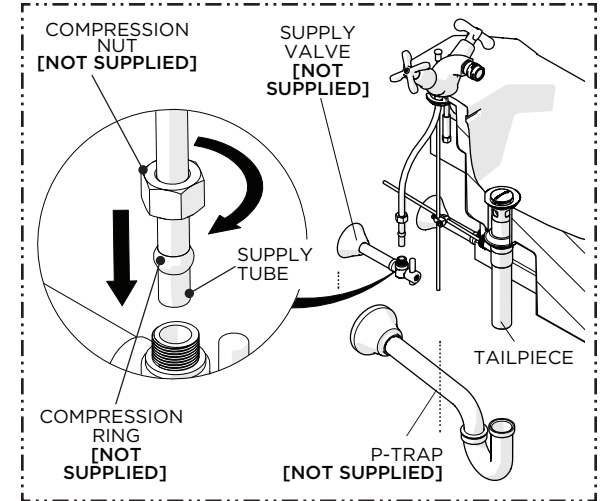


7. Ensure the PIVOT ROD opens and closes the DRAIN STOPPER properly, adjust the EYEBOLT if needed, then thread and securely tighten the KNURLED NUT.



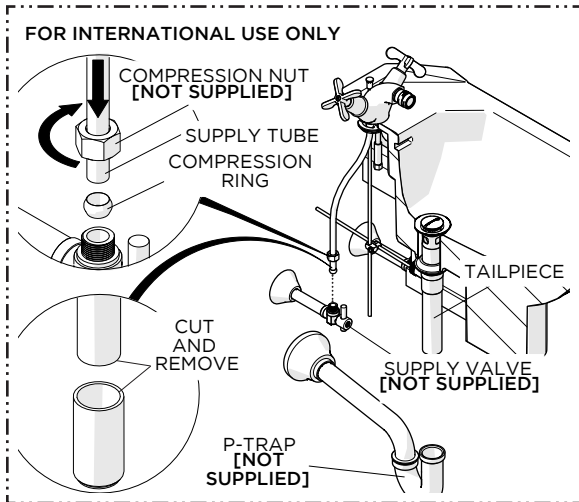
8. Insert the LIFT ROD through the hole in the LINKAGE then securely tighten the SCREW.

NOTE: Do NOT remove/loosen the SCREW on the adjacent side of the LINKAGE. Both RODS may be field cut.



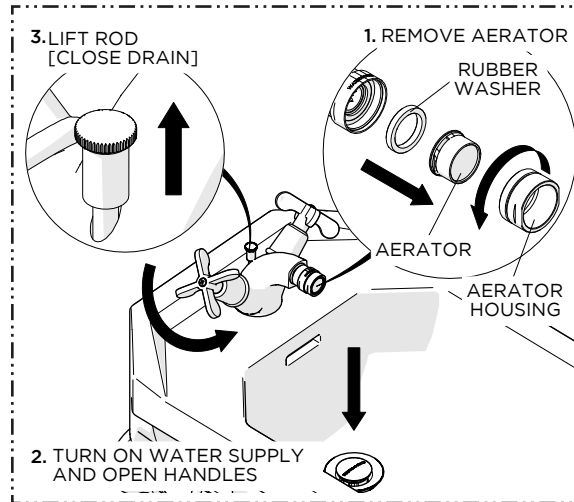
9. Make final P-TRAP (sold separately) and SUPPLY VALVE (sold separately) connections.

NOTE: The SUPPLY TUBES are provided with swaged ends. If necessary, the TUBES may be field cut.

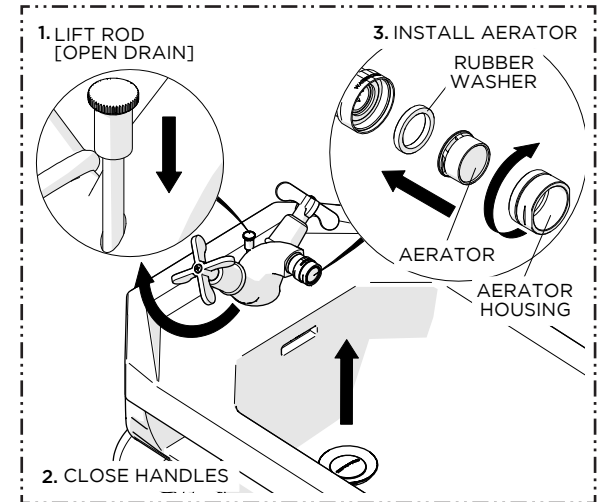


FOR INTERNATIONAL USE ONLY:

10. Cut and remove the swaged end of the SUPPLY TUBES and make final P-TRAP (sold separately) and SUPPLY VALVE (sold separately) connections.



11. Remove the AERATOR then turn on the water supply and open the HANDLES to flush out the supply lines. Inspect all connections for leaks then close the DRAIN using the LIFT ROD to ensure it functions properly.



12. Close the HANDLES, open the DRAIN to drain the water, and re-install the AERATOR.