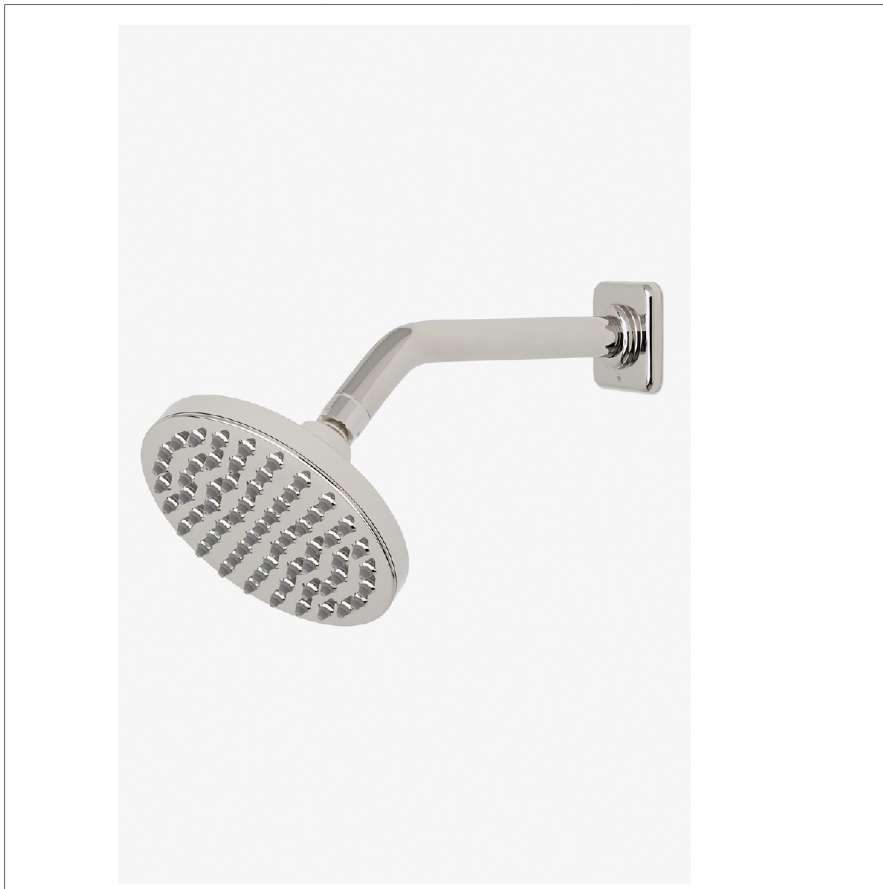


Ludlow

LDS265

Ludlow 6" Showerhead with 8" Wall Mounted 45 Degree Shower Arm



SHOWN IN LUDLOW 6" SHOWERHEAD WITH 8" WALL MOUNTED 45 DEGREE SHOWER ARM | LDS265

TECHNICAL DETAILS

Adjustable Versus Fixed Spray: Fixed
 Fittings Hole Diameter: 32 mm
 Flow Restriction Options: 1.5, 1.75, 2.0
 Inlet Connection Size: 1/2"
 Inlet Connection Type: Male NPT
 Pivot: Y
 Primary Material: Brass
 Restricted Maximum Flow Rate: 6.6 liters/min
 Water Pressure Maximum: 6.0 bar
 Water Pressure Minimum: 1.5 bar
 Water Pressure Recommended: 3.0 bar

INSPIRATION

Our fresh take on American industrial design comes in three styles, each of them clean-lined, and distinct to Waterworks.

CODES & STANDARDS

LDS265X, ASME A112.18.1/CSA B125.1, CEC(1.5GPM & 1.75GPM Only), WaterSense(1.5GPM, 1.75GPM & 2.0GPM Only), DOE, State of MA

PRODUCT FEATURES

- Made of Brass
- Features a swivel 6" showerhead with easy clean rubber nozzles
- Includes a 8" wall mounted 45 degree shower arm
- Stocked in Brass, Chrome and Nickel
- Showerhead available in 1.75gpm (6.6L/min) flow rate

CERTIFICATIONS



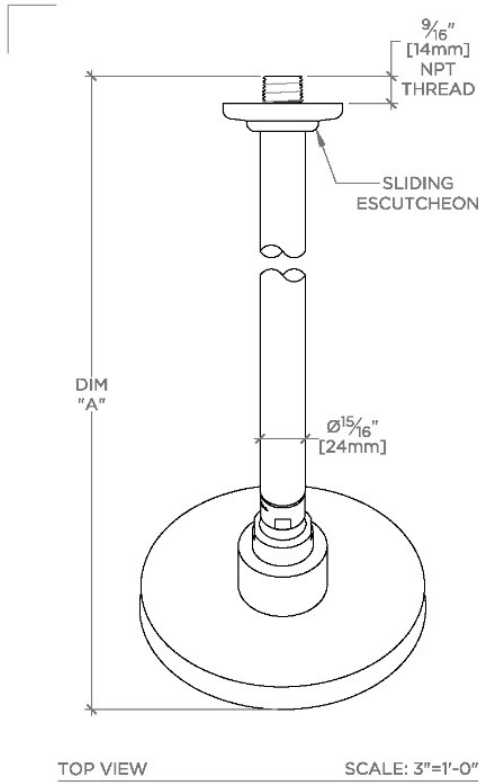
PRODUCT (NOTES)

WATERWORKS

Ludlow

LDS265

Ludlow 6" Showerhead with 8" Wall Mounted 45 Degree Shower Arm



STYLE NO.	DIM "A"	DIM "B"
LDS265	12 13/16" [325mm]	8 1/4" [209mm]
LDS266	14 13/16" [376mm]	10 1/4" [260mm]

