

Bond

BTH14D

Bond Union Series Square Thermostatic Control Valve Trim with Enamel Guilloche Lines Knob Handle



SHOWN IN BOND UNION SERIES SQUARE THERMOSTATIC CONTROL VALVE TRIM WITH ENAMEL GUILLOCHE LINES KNOB HANDLE | BTH14D

TECHNICAL DETAILS

ADA Compliance: Yes
 Number Of Holes: One Hole
 Primary Material: Brass

INSPIRATION

Modern designs infused with rare soul and artistry. Explore our wide range of Bond bath and kitchen elements, from fittings to fixtures to hardware.

CODES & STANDARDS

ASME A112.18.1/CSA B125.1, State of MA

PRODUCT FEATURES

Knob Handle

Allows bather to adjust temperature of all waterway outlets with a hot limit safety stop providing anti-scald protection

Features Guilloche Lines combined with Enamel Knob Handle

Stocked in Nickel and Brass

Requires valve, sold separately: GUTH60 (1/2") or GUTH38 (3/4") (USA) or GU60TH, GU38TH (UK/International)

CERTIFICATIONS

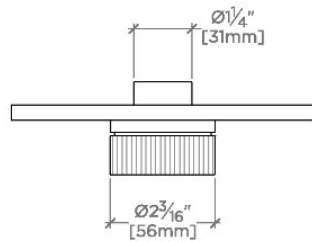


PRODUCT (NOTES)

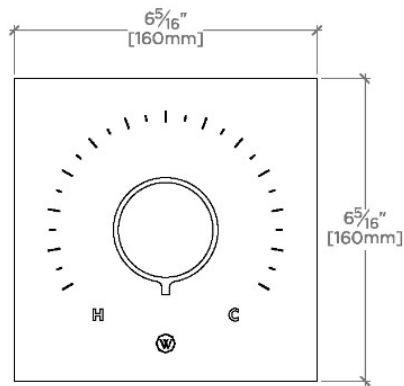
Bond

BTH14D

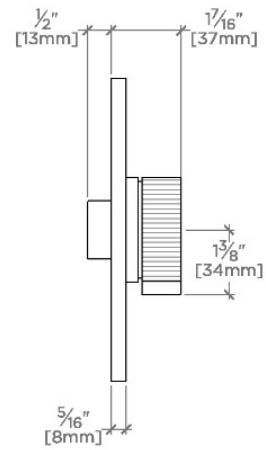
Bond Union Series Square Thermostatic Control Valve Trim
with Enamel Guilloche Lines Knob Handle



TOP VIEW SCALE: 3"=1'-0"



FRONT VIEW SCALE: 3"=1'-0"



SIDE VIEW SCALE: 3"=1'-0"