

JULIA

JUKM05

Julia Wall Mounted Two Hole Bridge Articulated Kitchen Faucet,
Metal Cross Handles



SHOWN IN JULIA WALL MOUNTED TWO HOLE BRIDGE ARTICULATED KITCHEN FAUCET, METAL CROSS HANDLES| JUKM05

TECHNICAL DETAILS

Fittings Hole Diameter: 1 3/8"
Handle Spread Maximum: 5 7/8"
Handle Spread Minimum: 5 7/8"
Handle Turn Angle: Quarter Turn
Depth / Width: 21 7/16"
Height: 7 5/16"
Inlet Connection Size: 1/2"
Inlet Connection Type: Male NPT
Inlet Supply Spread Maximum: 6 5/16"
Inlet Supply Spread Minimum: 5 1/2"
Installation Type: Wall Mounted
Length: 8 7/16"
Primary Material: Brass
Restricted Maximum Flow Rate: 2.2 gpm
Spout Swivel: Y
Spray Included in Unit: N
Suggested Application: Bar, Kitchen, Laundry
Valve Material: Ceramic
Water Pressure Maximum: 85.0 psi
Water Pressure Minimum: 20.0 psi
Water Pressure Recommended: 45.0 psi

INSPIRATION

An interpretation of 1920s French country, Julia speaks to decoration and intricate design displayed through beautifully composed turnings. These details embody the robust, signature high profile spout enabling Julia to transition fluidly from informal to formal environments.

CODES & STANDARDS

Code # JUKM05: CEC

PRODUCT FEATURES

Articulating Spout

Smooth folding action for easy storage or far reach into the sink

Quarter turn ceramic cartridge

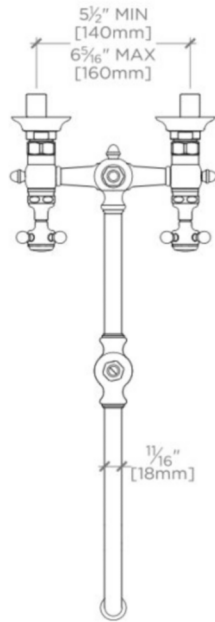
Standard flow rate is 2.2gpm (8.3 L/min) and State of California requires a maximum of 1.8gpm(6.8 L/min). Also available in high efficiency flow options. Contact a sales associate for details.

WATERWORKS

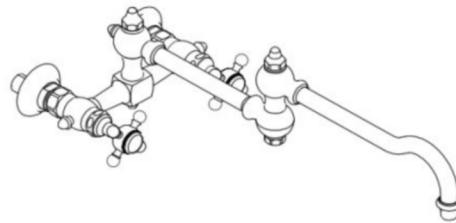
JULIA

JUKM05

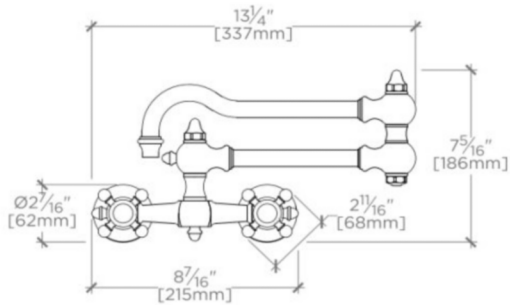
Julia Wall Mounted Two Hole Bridge Articulated Kitchen Faucet,
Metal Cross Handles



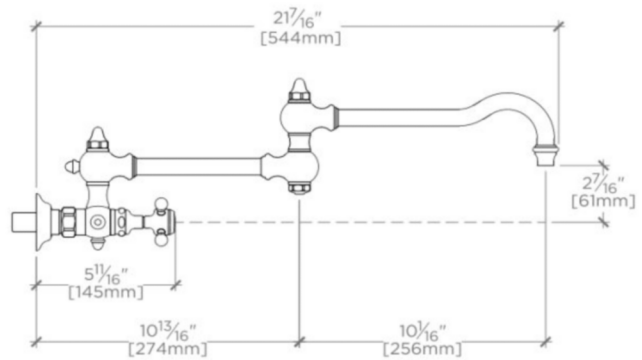
TOP VIEW SCALE: 1 1/2"=1'-0"



ISO VIEW SCALE: 1 1/2"=1'-0"



FRONT VIEW (FOLDED) SCALE: 1 1/2"=1'-0"



SIDE VIEW SCALE: 1 1/2"=1'-0"