

BOULEVARD

BD88TF

Boulevard Low Profile Concealed Tub Filler With Handshower and Metal Lever Handles



SHOWN IN BOULEVARD LOW PROFILE CONCEALED TUB FILLER WITH HANDSHOWER AND METAL LEVER HANDLES| BDTF88

TECHNICAL DETAILS

ADA Compliance: No
 Adjustable versus Fixed Spray: Fixed Spray
 Deck Thickness Maximum: 43 mm
 Deck Thickness Minimum: 0 mm
 Diameter of Head: 51 mm
 Escutcheon Primary Material: Brass
 Fittings Hole Diameter: 35 mm
 Flow Restriction Options: 2.0, 1.75, 1.5, 0.92
 Handle Spread Maximum: 305 mm
 Handle Spread Minimum: 254 mm
 Handle Turn Angle: Quarter Turn
 Handshower / Spray Hose Length: 2.0 m
 Depth / Width: 279 mm
 Height: 152 mm
 Index Marking: Blank
 Inlet Connection Size: 3/4"
 Inlet Connection Type: Male G/BSPP
 Inlet Supply Spread Maximum: 305 mm
 Inlet Supply Spread Minimum: 254 mm
 Installation Type: Deck Mounted
 Integrated Diverter: N
 Length: 330 mm
 Number of Handles: Two
 Number of Holes: Four Hole
 Pivot: N
 Primary Material: Brass
 Restricted Maximum Flow Rate: 9.5 liters/min
 Spout Reach: 9"
 Spout Swivel: N
 Suggested Application: Bath
 Valve Material: ceramic
 Water Pressure Maximum: 5.5 bar
 Water Pressure Minimum: 1.5 bar
 Water Pressure Recommended: 3.0 bar

INSPIRATION

Inspiration from 1930s objects evokes extravagance: a strong silhouette, lavish scale and elegant decoration. Machine and artisan hands yield crisp details and curves.

CODES & STANDARDS

Code # BDTU87: ASME A112.18.1, CSA B125, IAPMO, State of MA

PRODUCT FEATURES

Brass metal is used for all trim and valve components.

The manufacturing process encompasses casting, turning, forging, hand-fitting and hand polishing.

Solidly sized and generous in scale, decorative elements convey a sense of substance.

Standard flow rate is 2.5gpm for handshower only. Also available in high efficiency flow options.

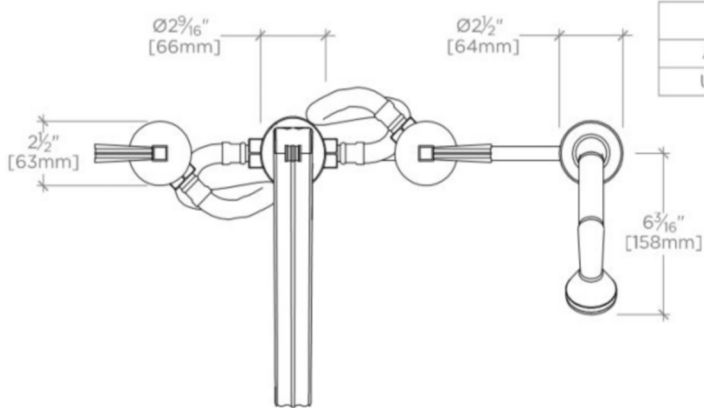
Contact your sales associate or call 1 (800) 899-6757 for details.

WATERWORKS

BOULEVARD

BD88TF

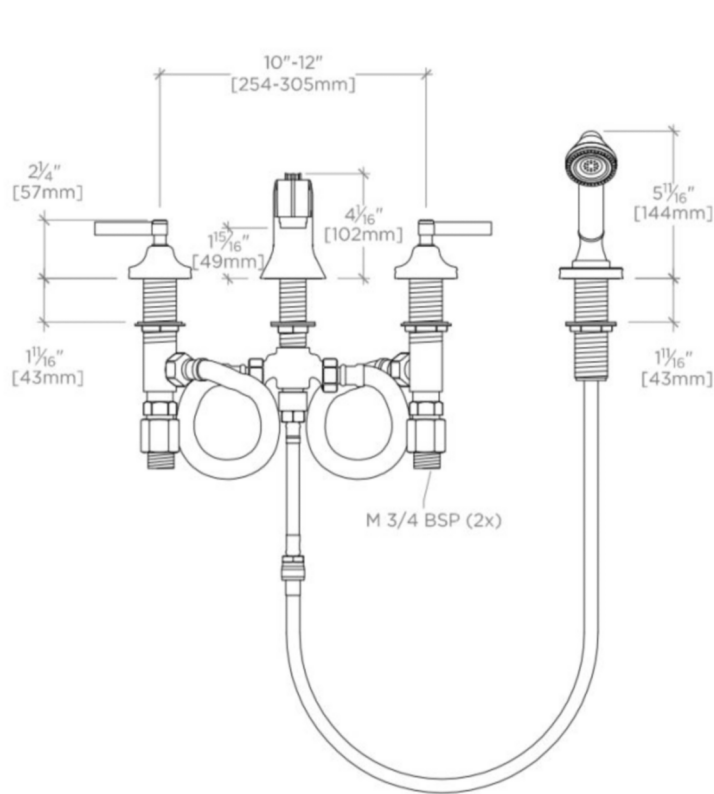
Boulevard Low Profile Concealed Tub Filler With Handshower and Metal Lever Handles



Adapters Shipped Loose		
Adapter	Description	Quantity
UNUK05	3/4" NPT Female x 3/4" Male BSP	2

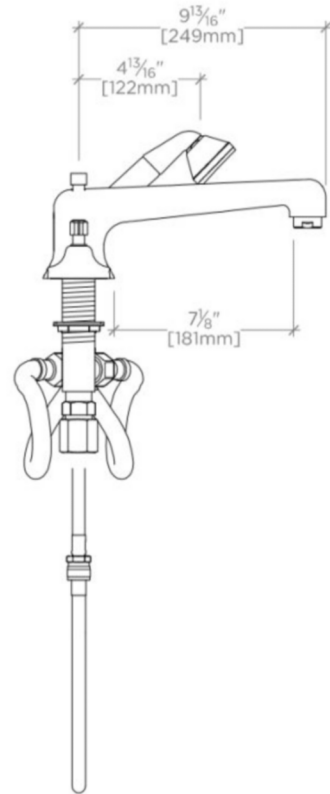
TOP VIEW

SCALE: 1 1/2"=1'-0"



FRONT VIEW

SCALE: 1 1/2"=1'-0"



SIDE VIEW

SCALE: 1 1/2"=1'-0"