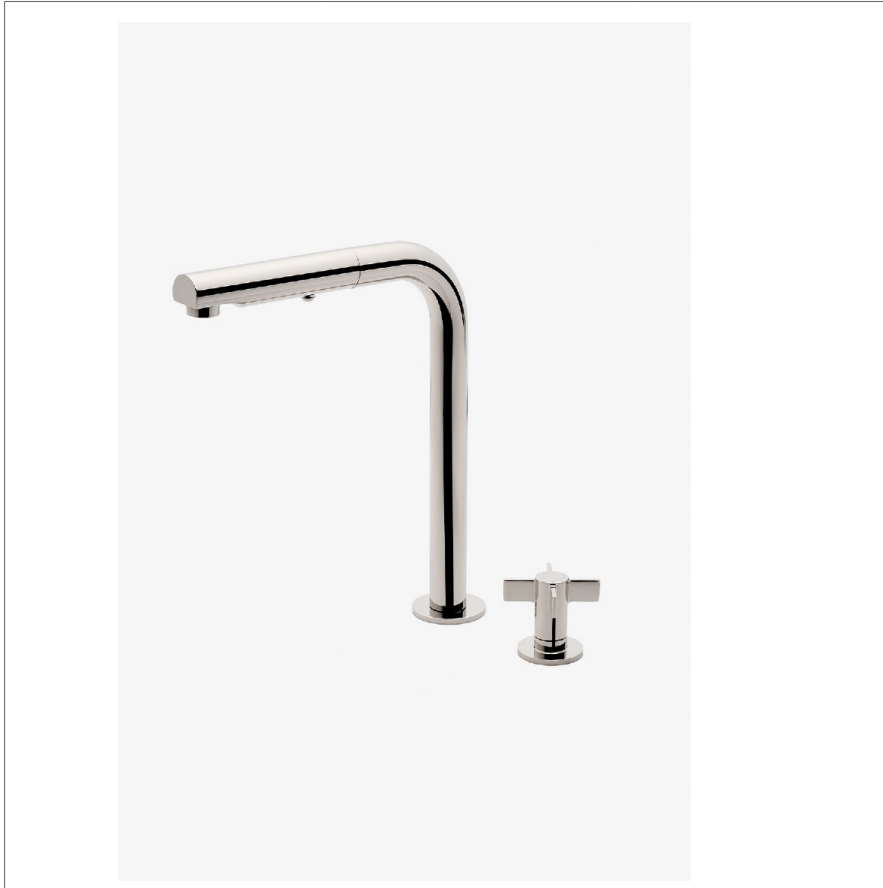


## FINOT

NKM210

Finot Two Hole Kitchen Mixer with Cross Handle and Integrated Pull Spray



SHOWN IN FINOT TWO HOLE KITCHEN MIXER WITH CROSS HANDLE AND INTEGRATED PULL SPRAY | NKM210

### TECHNICAL DETAILS

Deck Thickness Maximum: 44 mm  
Deck Thickness Minimum: 6 mm  
Fittings Hole Diameter: 35 mm  
Handle Turn Angle: Quarter Turn  
Inlet Connection Size: 3/8"  
Inlet Connection Type: Compression Connection  
Hoses  
Spout Swivel: Y  
Water Pressure Maximum: 6.0 bar  
Water Pressure Minimum: 1.5 bar  
Water Pressure Recommended: 3.0 bar

### INSPIRATION

Finot seamlessly blends meticulous details with contemporary sensibility. A true integration of design and engineering expertise, this collection is comprised of parts that are decisively cast and forged to achieve painstaking precision and refinement.

### CODES & STANDARDS

### PRODUCT FEATURES

Cross Handle

The pull-out spray faucet switches between an aerated stream and a jet spray, with a sliding button that locks the spray mode.

The handle is recommended for right-side installation. The progressive valve operates clockwise from off to cold to hot.

Stocked in Chrome, Nickel, Brass and Dark Nickel

### CERTIFICATIONS

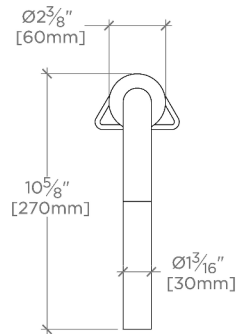
### PRODUCT (NOTES)

# WATERWORKS

## FINOT

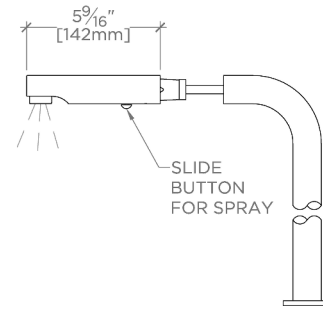
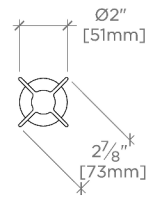
NKM210

Finot Two Hole Kitchen Mixer with Cross Handle and Integrated Pull Spray

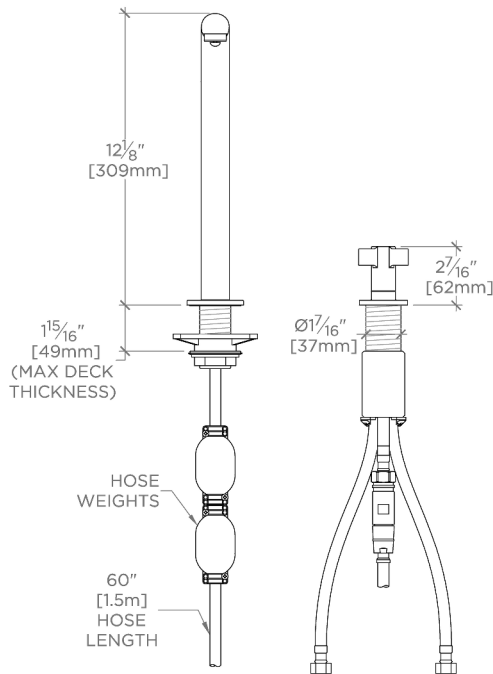


TOP VIEW

SCALE:  $1\frac{1}{2}"=1'-0"$

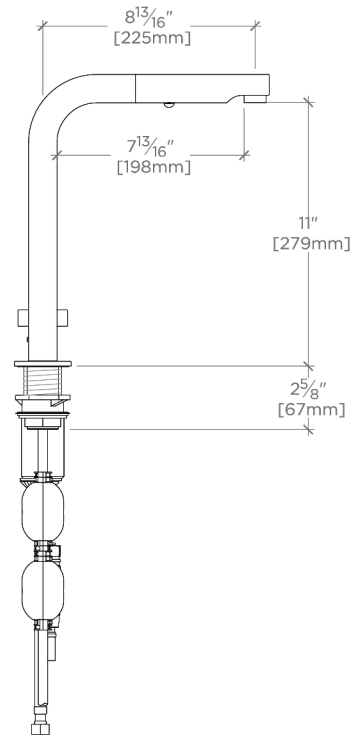


SPRAY OPERATION



FRONT VIEW

SCALE:  $1\frac{1}{2}"=1'-0"$



SIDE VIEW

SCALE:  $1\frac{1}{2}"=1'-0"$