

## Universal

UTWL22

Universal Transitional 22" Wall Mounted 90 Degree Shower Arm with Flange



SHOWN IN UNIVERSAL TRANSITIONAL 22" WALL MOUNTED 90 DEGREE SHOWER ARM WITH FLANGE | UTWL22

### TECHNICAL DETAILS

Fittings Hole Diameter: 32 mm  
Inlet Connection Size: 1/2"  
Inlet Connection Type: Male NPT  
Outlet Connection Size: 1/2"  
Outlet Connection Type: Male NPT  
Water Pressure Recommended: 3.0 bar

### INSPIRATION

Featuring enduring designs that complement any Waterworks element, this collection spans fittings to accessories, bringing exquisite proportion and balance to any environment.

### CODES & STANDARDS

### PRODUCT FEATURES

Compatible with an assortment of Waterworks showerheads, sold separately

Brass Construction

Includes 22" wall mounted 90 degree shower arm

Stocked in Chrome, Nickel and Brass

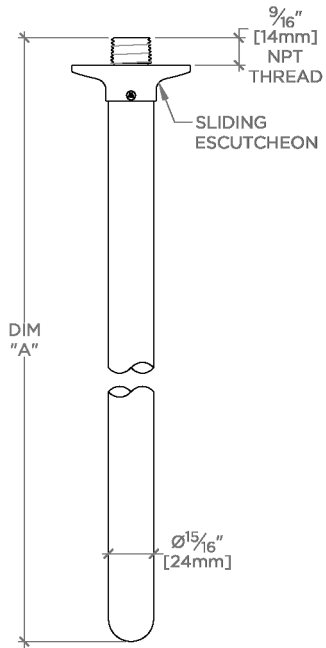
### CERTIFICATIONS

### PRODUCT (NOTES)

## Universal

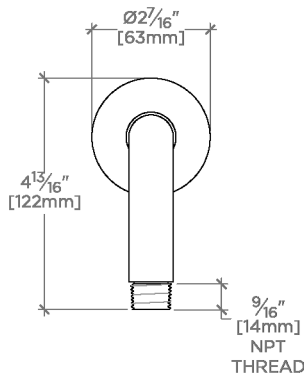
## UTWL22

Universal Transitional 22" Wall Mounted 90 Degree Shower Arm with Flange

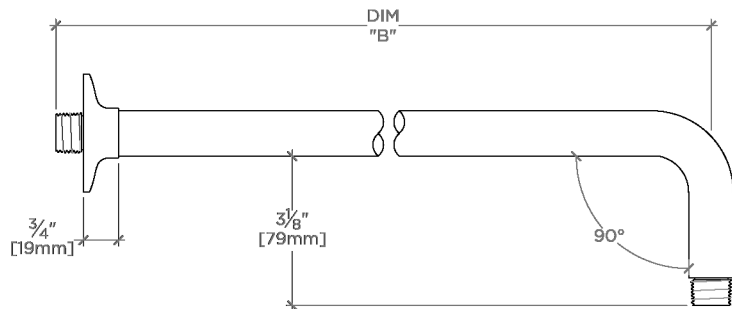


TOP VIEW SCALE: 3"=1'-0"

STYLE NO.	DIM "A"	DIM "B"
UTWL12	$13\frac{1}{16}$ " [331mm]	$12\frac{1}{2}$ " [319mm]
UTWL18	$19\frac{1}{16}$ " [484mm]	$18\frac{1}{2}$ " [472mm]
UTWL22	$23\frac{1}{16}$ " [585mm]	$22\frac{1}{2}$ " [572mm]



FRONT VIEW SCALE: 3"=1'-0"



SIDE VIEW SCALE: 3"=1'-0"