

REGULATOR

RG2T11

Regulator Two Way Diverter Valve Trim for Thermostatic with Roman Numerals and Level Handle



SHOWN IN REGULATOR TWO WAY DIVERTER VALVE TRIM FOR THERMOSTATIC WITH ROMAN NUMERALS AND LEVEL HANDLE | RG2T11

TECHNICAL DETAILS

ADA Compliance: Yes
 Depth/Width: 3 1/2"
 Escutcheon Primary Material: Brass
 Fittings Hole Diameter: 2 1/2"
 Handle Turn Angle: Quarter Turn Each Way
 Height: 6 1/2"
 Length: 3 3/4"
 Primary Material: Brass
 Suggested Application: Bath
 Water Pressure Maximum: 85.0 psi
 Water Pressure Minimum: 20.0 psi
 Water Pressure Recommended: 45.0 psi

INSPIRATION

A play on industrial controls from the early 1900s, when pride was lavished on parts. Translated to handcrafted, fittings project rugged beauty through powerful, detailed shapes.

CODES & STANDARDS

ASME A112.18.1/CSA B125.1, State of MA

PRODUCT FEATURES

Lever Handle

For Use With a Thermostatic Shower System and Two Waterway Outlets

Features Roman Numerals Representing Outlet Position

Stocked in Nickel and Brass

Requires valve rough sold separately

CERTIFICATIONS

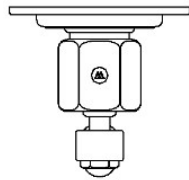


PRODUCT (NOTES)

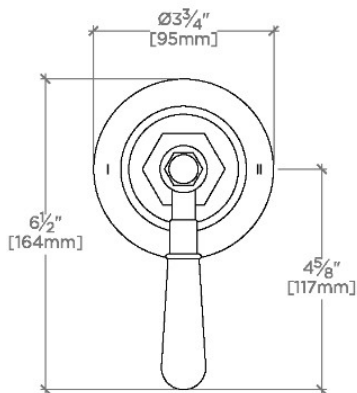
REGULATOR

RG2T11

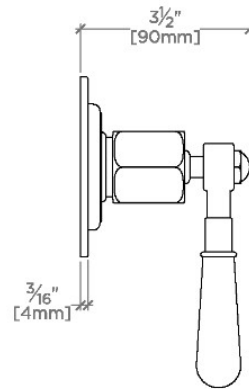
Regulator Two Way Diverter Valve Trim for Thermostatic with Roman Numerals and Level Handle



TOP VIEW SCALE: 3"=1'-0"



FRONT VIEW SCALE: 3"=1'-0"



SIDE VIEW SCALE: 3"=1'-0"