

.25

PTS208

.25 10" Rain Showerhead with 18" Wall Mounted 90 Degree Shower Arm



SHOWN IN .25 10" RAIN SHOWERHEAD WITH 18" WALL MOUNTED 90 DEGREE SHOWER ARM | PTS208

## TECHNICAL DETAILS

Adjustable Versus Fixed Spray: Fixed  
 Fittings Hole Diameter: 1 1/4"  
 Flow Restriction Options: 1.5, 1.75, 2.0  
 Inlet Connection Size: 1/2"  
 Inlet Connection Type: Male NPT  
 Pivot: Y  
 Primary Material: Brass  
 Restricted Maximum Flow Rate: 1.75 gpm  
 Water Pressure Maximum: 85.0 psi  
 Water Pressure Minimum: 20.0 psi  
 Water Pressure Recommended: 45.0 psi

## INSPIRATION

.25 is the ultimate in utilitarian elegance: A simple and understated design that is equally functional and beautiful.

## CODES & STANDARDS

PTS208X, ASME A112.18.1/CSA B125.1, CEC(1.5GPM & 1.75GPM Only), WaterSense(1.5GPM, 1.75GPM & 2.0GPM Only), DOE, State of MA

## PRODUCT FEATURES

- Made of Brass
- Features a swivel 10" rain showerhead with easy clean rubber nozzles
- Includes a 18" wall mounted 90 degree shower arm
- Stocked in Brass, Chrome, Nickel and Matte Nickel
- Rain showerhead available in 1.75gpm (6.6L/min) flow rate

## CERTIFICATIONS

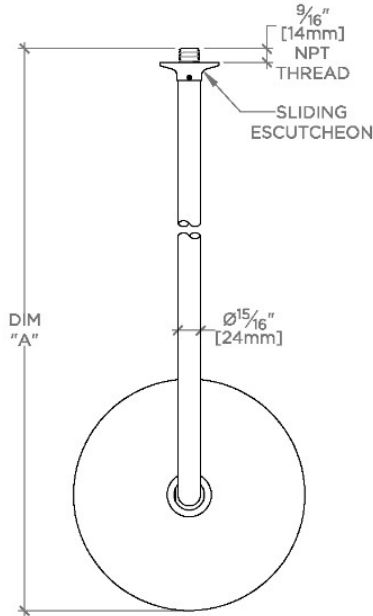


## PRODUCT (NOTES)

.25

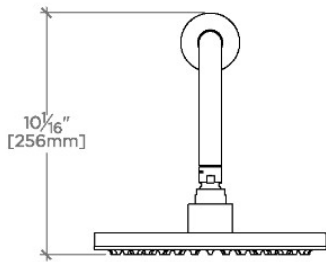
PTS208

.25 10" Rain Showerhead with 18" Wall Mounted 90 Degree Shower Arm

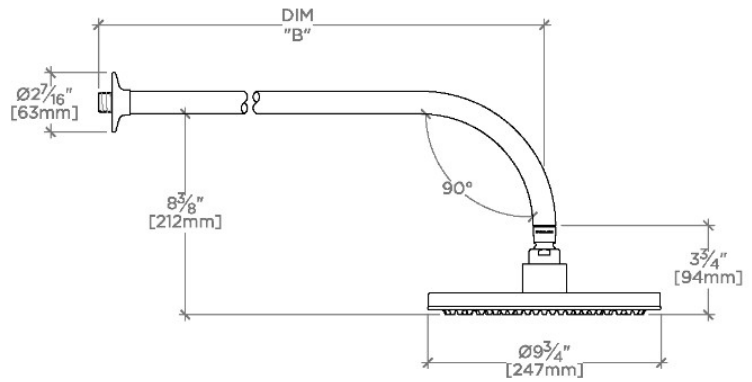


TOP VIEW SCALE: 1 1/2"=1'-0"

STYLE NO.	DIM "A"	DIM "B"
LVS208	23 7/16" [595mm]	18 9/16" [472mm]
PTS208		
LVS209	27 3/8" [696mm]	22 9/16" [573mm]
PTS209		



FRONT VIEW SCALE: 1 1/2"=1'-0"



SIDE VIEW SCALE: 1 1/2"=1'-0"