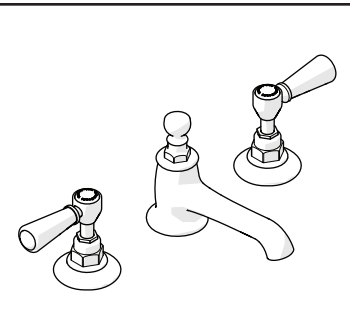


WATERWORKS

INSTALLATION GUIDELINES

STYLE No. HGLSAE

Highgate ASH NYC Edition Lavatory Faucet with
Porcelain Lever Handles

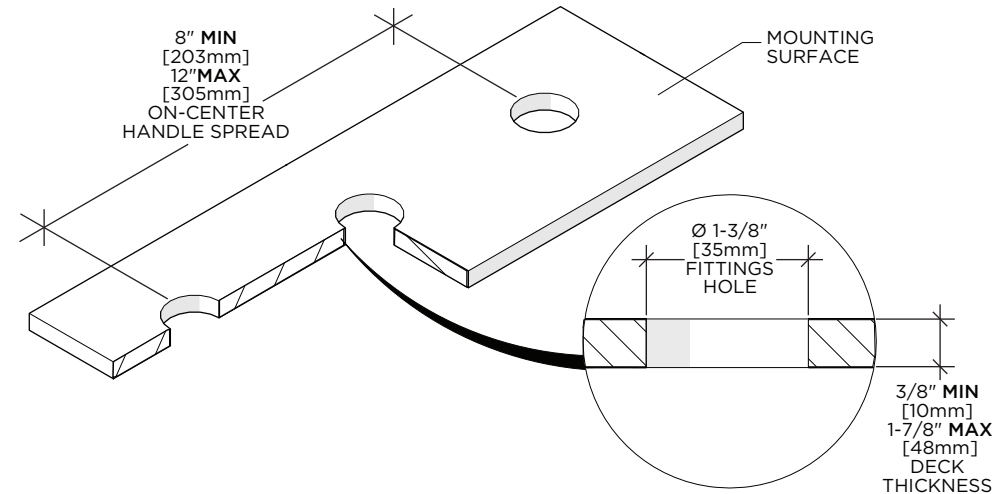
	STYLE	DESCRIPTION
	HGLSAE	Highgate ASH NYC Edition Lavatory Faucet with Porcelain Lever Handles

IMPORTANT:

- To ensure this product is installed properly, you must read and follow these guidelines.
- The owner/user of this product must keep this information for future reference.
- This product must be installed by a professional licensed contractor.
- Be sure your installation conforms to federal, state, and local codes. In the State of Massachusetts, all installations must comply with the rules and regulations set forth within 248 CMR.
- Inspect this product to ensure you have all the parts required for proper installation.
- Product is sold partially assembled but shown fully disassembled for illustrative and service purposes only.
- Use only a strap wrench or protected/smooth-jaw wrench on ANY finished surface
- **CAUTION:**
 - Flushing the SUPPLY VALVES (sold separately) prior to installing the LAVAOTRY FAUCET is recommended. Flushing can prevent damage to the CARTRIDGES and other internal components.
- The use of certain plumber's putty may stain stone or tile surfaces.
- If further assistance is required, please contact Product Support at 1-800-927-2120 Monday through Friday, 8am - 6pm EST.
- Refer to the separate Service Parts Documents for available replacement parts.

TECHNICAL DETAILS:

DETAIL	SPECIFICATION
DRAIN DEPTH	1-3/8" [35mm] MIN 2-3/16" [55mm] MAX
DRAIN HOLE DIAMETER	1-1/2" [38mm]
DRAIN STYLE	Pop-Up
HANDLE TURN ANGLE	QUARTER TURN
INLET CONNECTION	1/2" MALE WITH SUPPLY NUT
SPOUT REACH	5-1/8" [130mm]
WATER PRESSURE	85psi [6.0 bar] MAX 20psi [1.5 bar] MIN
WATER PRESSURE RECOMMENDED	45psi [3.0 bar]

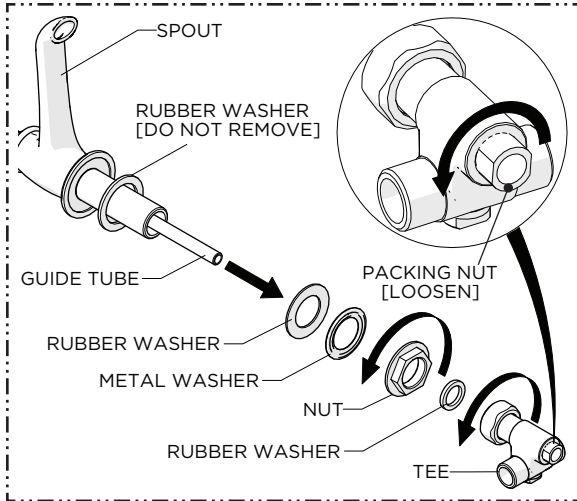


WATERWORKS

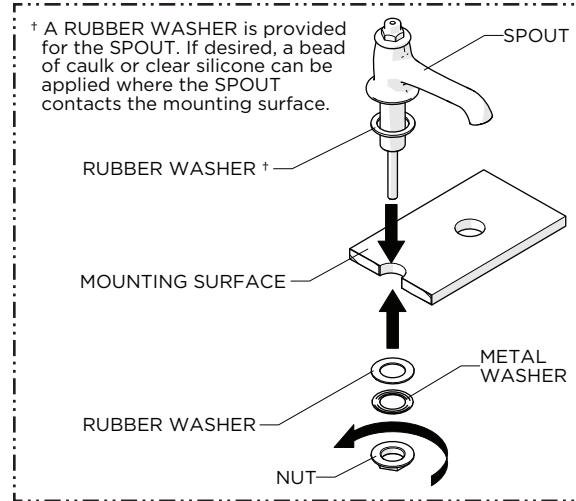
INSTALLATION GUIDELINES

STYLE No. HGLSAE

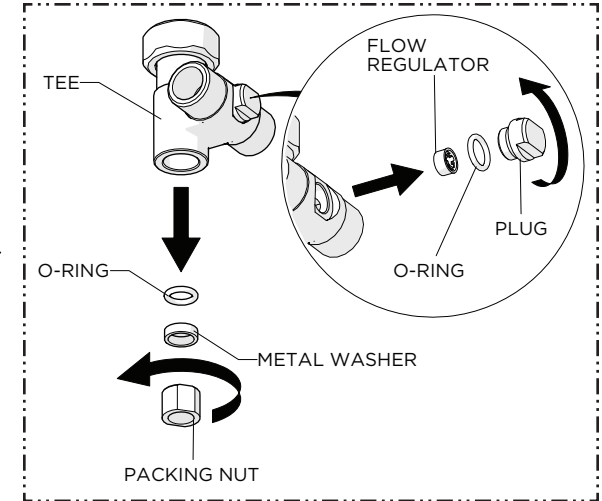
Highgate ASH NYC Edition Lavatory Faucet with Porcelain Lever Handles



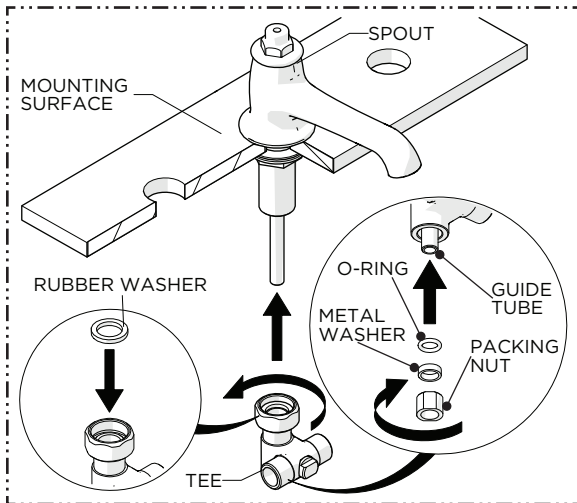
1. Loosen, but do **NOT** remove the PACKING NUT at the base of the TEE then remove the TEE, MOUNTING NUT and WASHERS from the SPOUT.
NOTE: Do **NOT** remove the RUBBER WASHER meant for the top of the mounting surface.



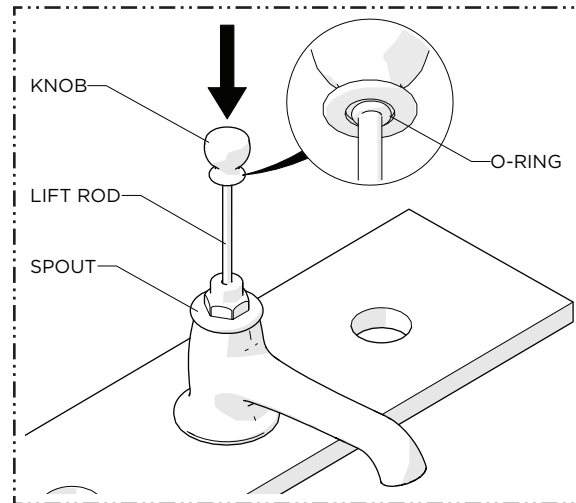
2. Insert the SPOUT through the mounting hole, making sure to include the RUBBER WASHER beneath the SPOUT, re-attach the RUBBER WASHER, METAL WASHER and MOUNTING NUT from below and securely tighten the NUT.



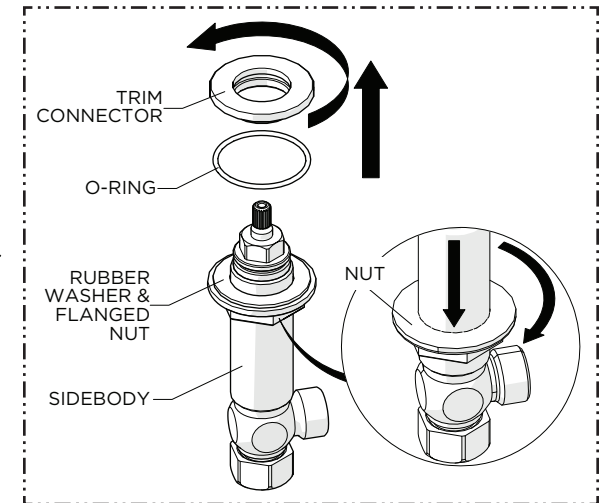
3. Remove the PACKING NUT, METAL WASHER and O-RING from the TEE to prevent the GUIDE TUBE in the SPOUT from damaging the O-RING.
NOTE: A FLOW REGULATOR is located inside the TEE



4. Insert the RUBBER WASHER into the TEE, thread and securely tighten the TEE to the SPOUT, slide the O-RING and METAL WASHER over the GUIDE TUBE then thread and securely tighten the PACKING NUT into the TEE.



5. Insert the LIFT ROD into the top of the SPOUT making sure the O-RING is beneath the KNOB.



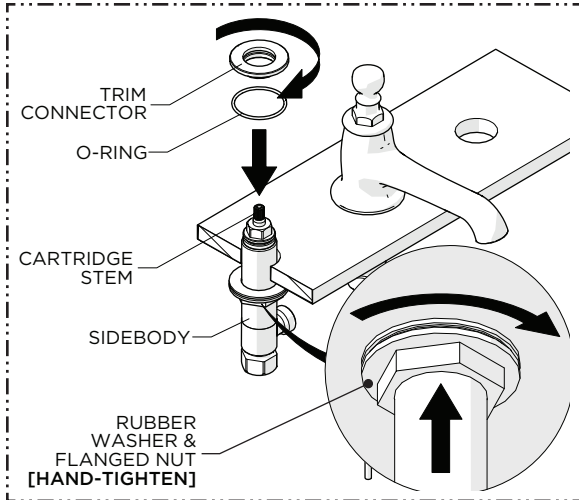
6. Unthread and remove the TRIM CONNECTOR from the SIDEBODY then fully thread the NUT down the SIDEBODY.
NOTE: Do **NOT** remove the RUBBER WASHER or discard the O-RING.

WATERWORKS

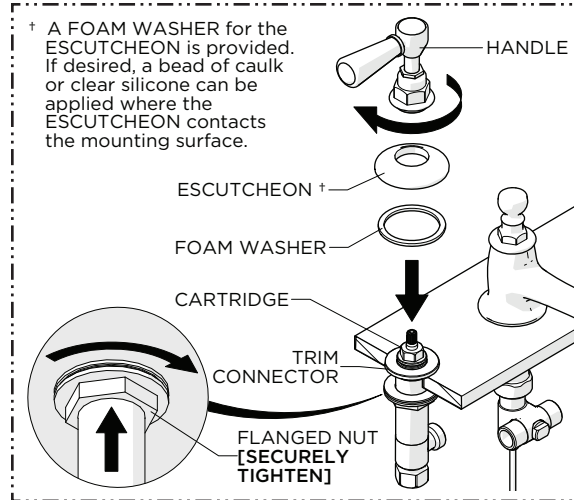
INSTALLATION GUIDELINES

STYLE No. HGLSAE

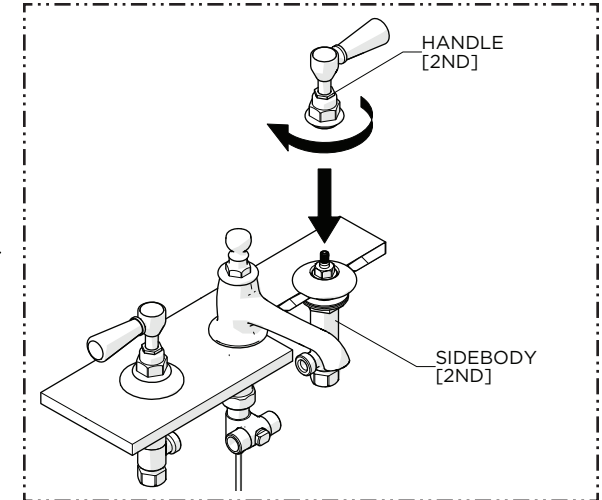
Highgate ASH NYC Edition Lavatory Faucet with Porcelain Lever Handles



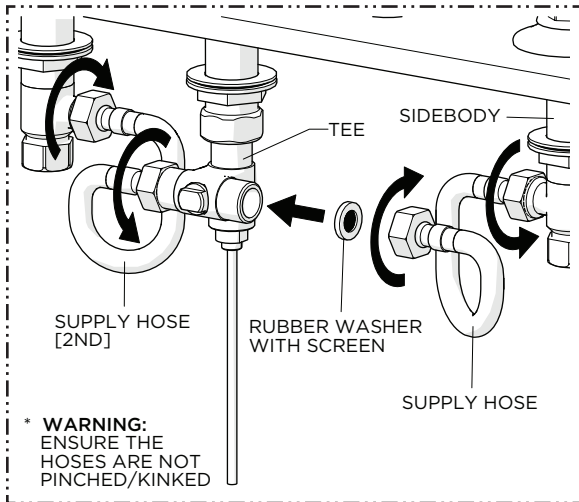
7. Insert the SIDEBODY through the hole on the mounting surface from below then, using the O-RING provided, thread the TRIM CONNECTOR back onto the SIDEBODY until it stops and let it rest on the mounting surface.



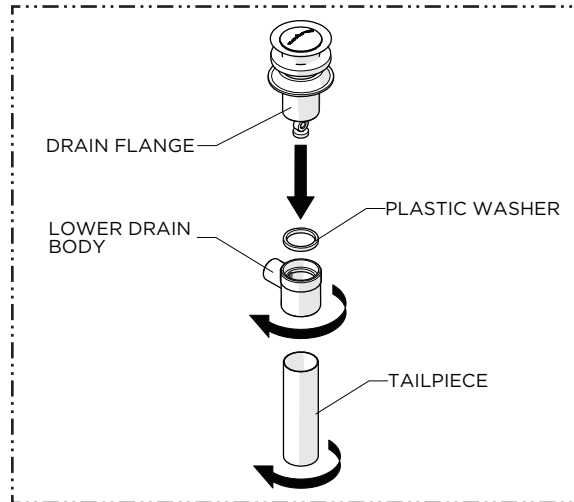
8. Using the FOAM WASHER provided, place the ESCUTCHEON over the TRIM CONNECTOR then insert the GLAND COVER into the ESCUTCHEON and thread it onto the CARTRIDGE until it stops. Ensure the HANDLE is in the desired orientation then securely tighten the NUT on the SIDEBODY.



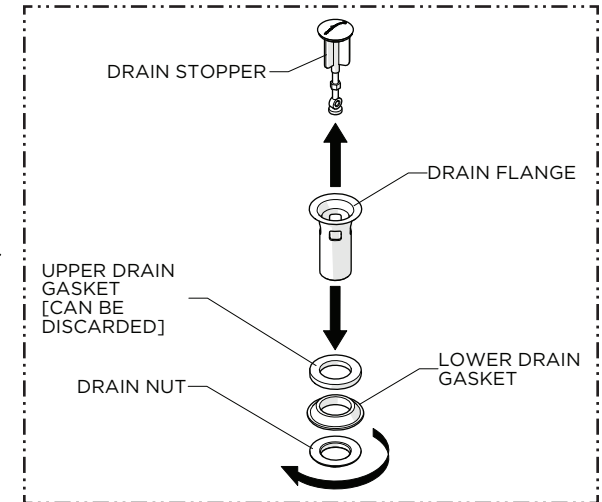
9. Repeat Steps 6 through 8 to install the second (2nd) HANDLE.



10. Thread and securely tighten the SUPPLY HOSES to the TEE and SIDEBODIES using the RUBBER WASHERS WITH SCREENS provided and making sure the HOSES are not pinched/kinked.



11. Unthread and remove the TAILPIECE and LOWER DRAIN BODY from the FLANGE. Do NOT discard the PLASTIC WASHER inside the LOWER DRAIN BODY.



12. Unthread and remove the NUT then remove the UPPER and LOWER DRAIN GASKETS and DRAIN STOPPER from the FLANGE.

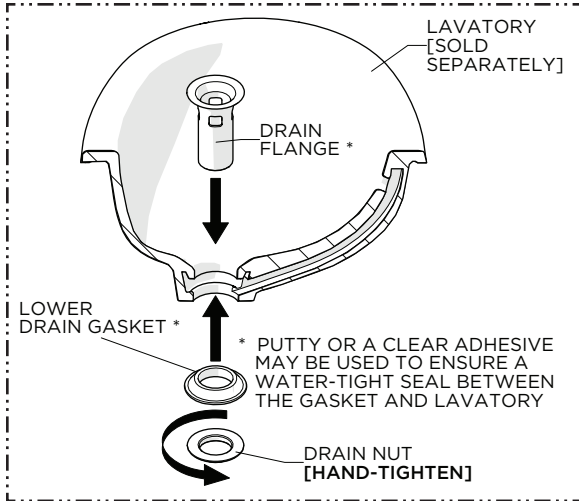
CAUTION: Do NOT discard the LOWER DRAIN GASKET.

WATERWORKS

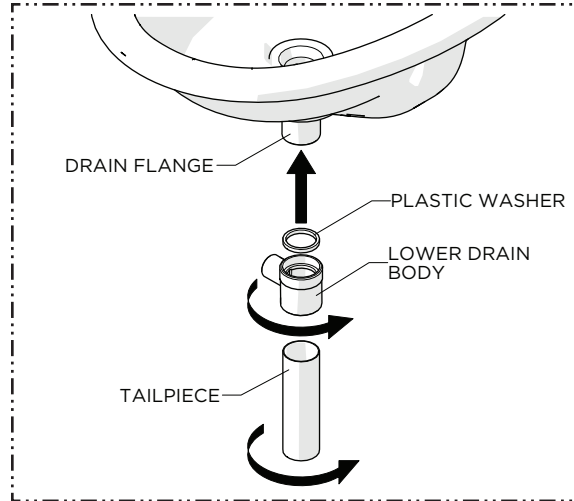
INSTALLATION GUIDELINES

STYLE No. HGLSAE

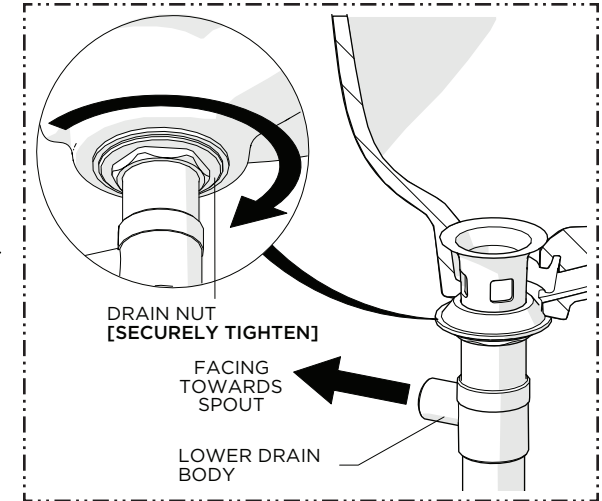
Highgate ASH NYC Edition Lavatory Faucet with Porcelain Lever Handles



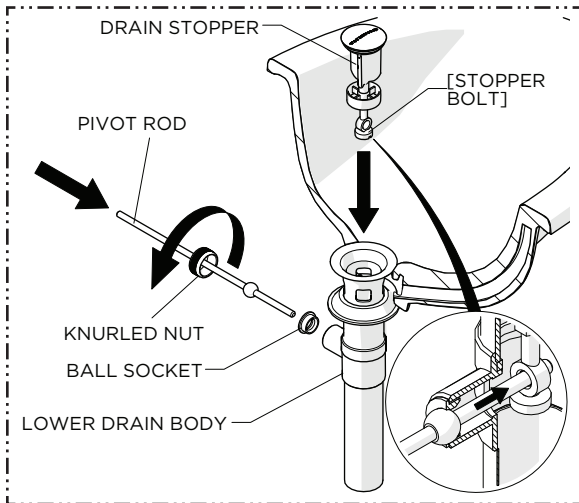
13. Set the FLANGE into the lavatory (sold separately) using putty or a clear silicone and attach the LOWER DRAIN GASKET then thread and HAND-TIGHTEN the DRAIN NUT onto the FLANGE.



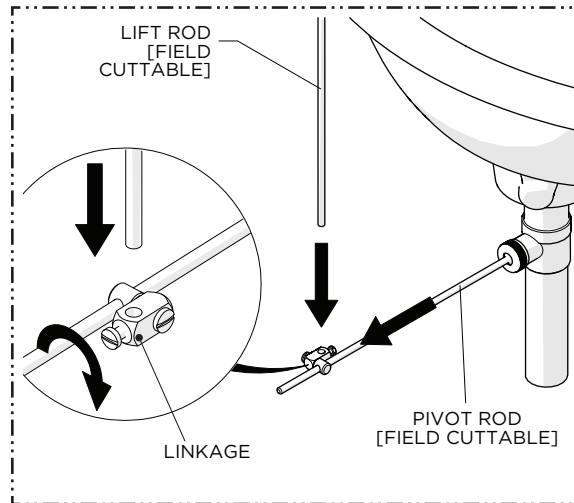
14. Using the PLASTIC WASHER provided, thread the LOWER DRAIN BODY onto the FLANGE then thread the TAILPIECE into the LOWER DRAIN BODY.



15. Ensure the LOWER DRAIN BODY is facing towards the SPOUT then securely tighten the DRAIN NUT making sure the GASKET makes a full seal on the underside of the lavatory.

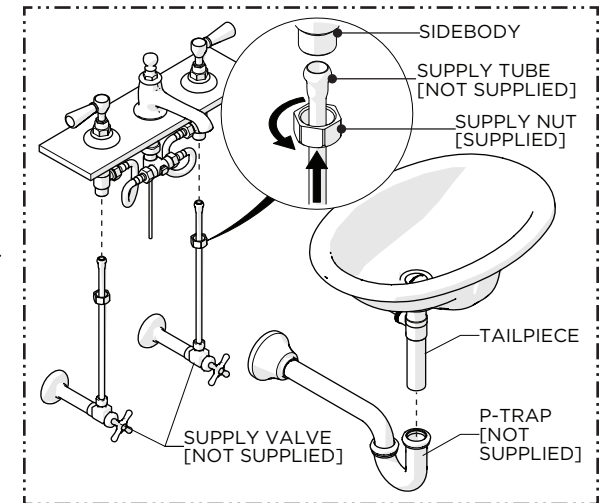


16. Insert the STOPPER into the FLANGE then, making sure the BALL SOCKET is in place, insert the PIVOT ROD into the LOWER DRAIN BODY and through the STOPPER BOLT. Thread and securely tighten the KNURLED NUT making sure the ROD can pivot.



17. Connect the LIFT and PIVOT RODS using the LINKAGE provided making sure to tighten the SCREW on the LINKAGE.

NOTE: Both RODS may be field cut.

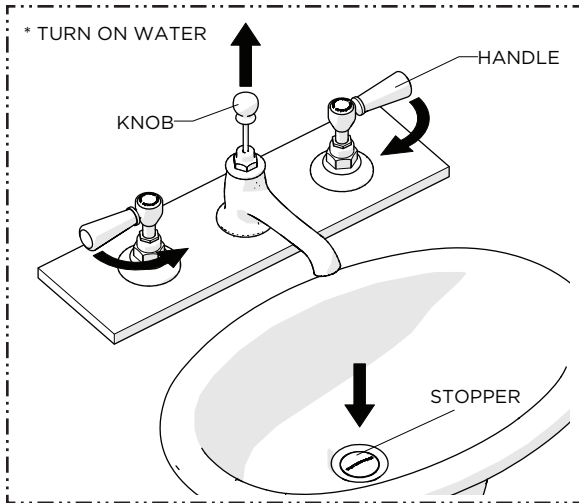


18. Make final P-TRAP (sold separately) and SUPPLY VALVE (sold separately) connections.

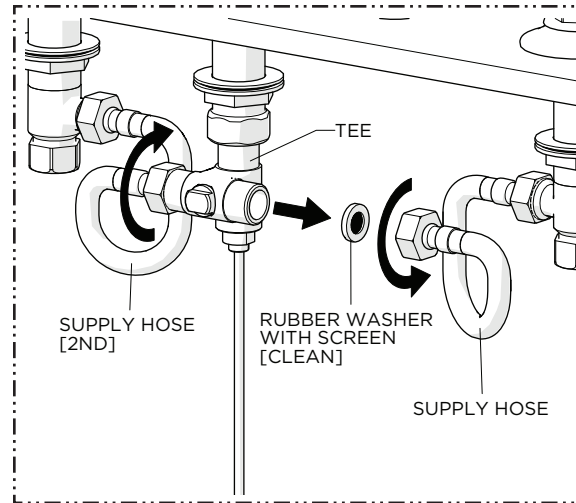
WATERWORKS INSTALLATION GUIDELINES

STYLE No. HGLSAE

Highgate ASH NYC Edition Lavatory Faucet with
Porcelain Lever Handles



19. Turn on the water to flush out any debris in the supply lines and inspect all connections for leaks. Close the DRAIN to ensure it functions properly then turn off the water and let it drain.



20. Unthread both SUPPLY HOSES from the TEE to remove and clean the RUBBER WASHERS WITH SCREENS then re-install the WASHERS and HOSES.