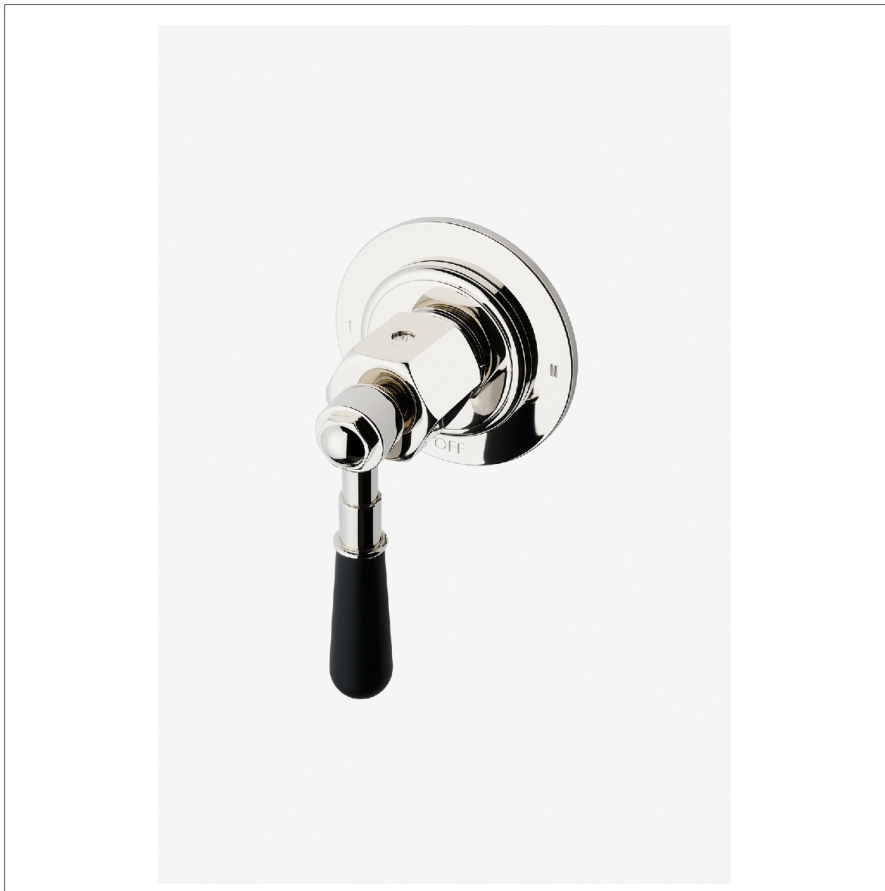


REGULATOR

RG2T10

Regulator Two Way Diverter Valve Trim for Thermostatic with Roman Numerals and Two-Tone Lever Handle



SHOWN IN REGULATOR TWO WAY DIVERTER VALVE TRIM FOR THERMOSTATIC WITH ROMAN NUMERALS AND TWO-TONE LEVER HANDLE | RG2T10

TECHNICAL DETAILS

ADA Compliance: Yes
 Depth/Width: 3 1/2"
 Escutcheon Primary Material: Brass
 Fittings Hole Diameter: 2 1/2"
 Handle Turn Angle: Quarter Turn Each Way
 Height: 6 1/2"
 Length: 3 3/4"
 Primary Material: Brass
 Suggested Application: Bath
 Water Pressure Maximum: 85.0 psi
 Water Pressure Minimum: 20.0 psi
 Water Pressure Recommended: 45.0 psi

INSPIRATION

A play on industrial controls from the early 1900s, when pride was lavished on parts. Translated to handcrafted, fittings project rugged beauty through powerful, detailed shapes.

CODES & STANDARDS

ASME A112.18.1/CSA B125.1, State of MA

PRODUCT FEATURES

Two-Tone Lever Handle

For Use With a Thermostatic Shower System and Two Waterway Outlets

Features Roman Numerals Representing Outlet Position

Stocked in Nickel/Matte Black and Brass/Matte Black

Requires valve rough sold separately

CERTIFICATIONS

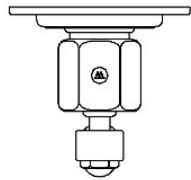


PRODUCT (NOTES)

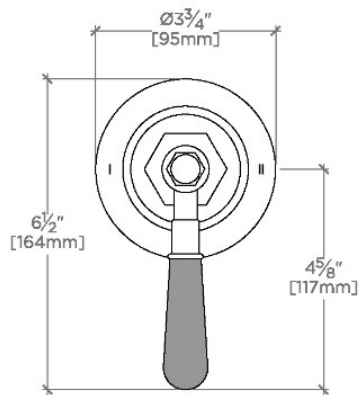
REGULATOR

RG2T10

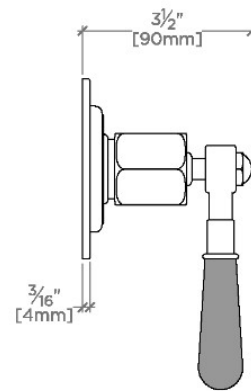
Regulator Two Way Diverter Valve Trim for Thermostatic with Roman Numerals and Two-Tone Lever Handle



TOP VIEW SCALE: 3"=1'-0"



FRONT VIEW SCALE: 3"=1'-0"



SIDE VIEW SCALE: 3"=1'-0"