

ViaWorks

GULV29

ViaWorks 1/2" Lavatory Wall Mounted Valve for Single Handle



SHOWN IN VIAWORKS 1/2" LAVATORY WALL MOUNTED VALVE FOR SINGLE HANDLE | GULV29

TECHNICAL DETAILS

Fittings Hole Diameter: 35 mm
 Handle Turn Angle: Quarter Turn
 Inlet Connection Size: 1/2"
 Inlet Connection Type: Female NPT
 Outlet Connection Size: 1/2"
 Outlet Connection Type: Female NPT
 Primary Material: Brass
 Valve Material: Ceramic
 Water Pressure Maximum: 6.0 bar
 Water Pressure Minimum: 1.5 bar
 Water Pressure Recommended: 3.0 bar

INSPIRATION

The ViaWorks collection encompasses all Waterworks valves, which are just as impeccably engineered as our legendary fittings and the finest the industry has to offer in terms of performance, features and functionality. ViaWorks valves are engineered with more than three generations of bath and kitchen expertise, each with installers and lifelong service in mind.

CODES & STANDARDS

GULV29X, NSF/ANSI/CAN 61:Q < 1, NSF/ANSI/CAN 372, ASME A112.18.1/CSA B125.1, State of MA

PRODUCT FEATURES

Single handle progressive rough features 90 degree rotation from Off, Cold, Mixed through Hot.

1/2" NPT male inlet and 1/2" NPT female outlet, with quarter turn functionality

6 gpm (gallons per minute) unrestricted maximum flow at 60 psi

Tactile feedback is felt at Full Cold and Equal Mix of Hot and Cold

Made in Europe of Brass Construction

CERTIFICATIONS



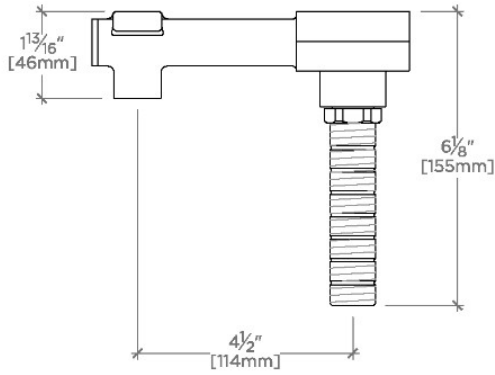
PRODUCT (NOTES)

WATERWORKS

ViaWorks

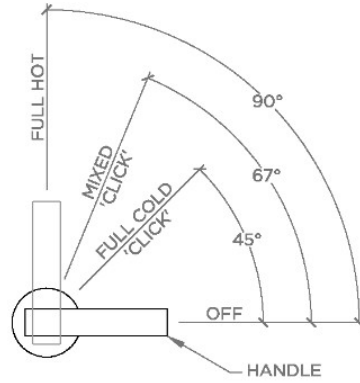
GULV29

ViaWorks 1/2" Lavatory Wall Mounted Valve for Single Handle

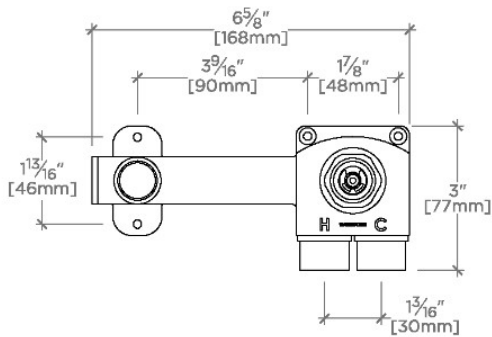


TOP VIEW

SCALE: 3"=1'-0"

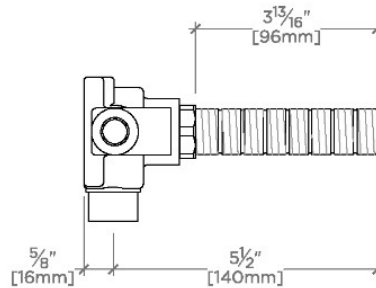


VALVE OPERATION



FRONT VIEW

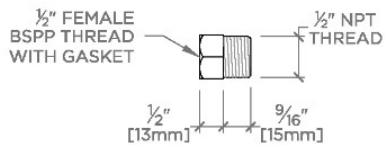
SCALE: 3"=1'-0"



SIDE VIEW

SCALE: 3"=1'-0"

† 3 ADAPTERS SUPPLIED
INTERNATIONAL USE ONLY



BSPP ADAPTER †

NOT TO SCALE