

Henry

HTH513

Henry Integrated Thermostatic and Three Way Diverter Trim with Coin Edge Cross and Lever Handles



SHOWN IN HENRY INTEGRATED THERMOSTATIC AND THREE WAY DIVERTER TRIM WITH COIN EDGE CROSS AND LEVER HANDLES | HTH513

TECHNICAL DETAILS

ADA Compliance: Yes
 Fittings Hole Diameter: 64 mm
 Integrated Diverter: Y
 Number Of Holes: Two Hole
 Primary Material: Brass

INSPIRATION

Celebrating the connection of industry and art, Henry transitions effortlessly between modern, traditional, and classic settings. These iconic fittings blend 19th-century industrial and artistic references for a look that's forever of the moment—familiar yet wholly original.

CODES & STANDARDS

ASME A112.18.1/CSA B125.1, State of MA

PRODUCT FEATURES

Coin Edge Cross and Lever Handles

Allows bather to adjust temperature of all waterway outlets with a hot limit safety stop providing anti-scald protection

Stocked in Brass, Chrome, Nickel and Dark Nickel

Requires valve rough sold separately

CERTIFICATIONS

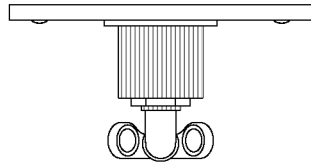


PRODUCT (NOTES)

Henry

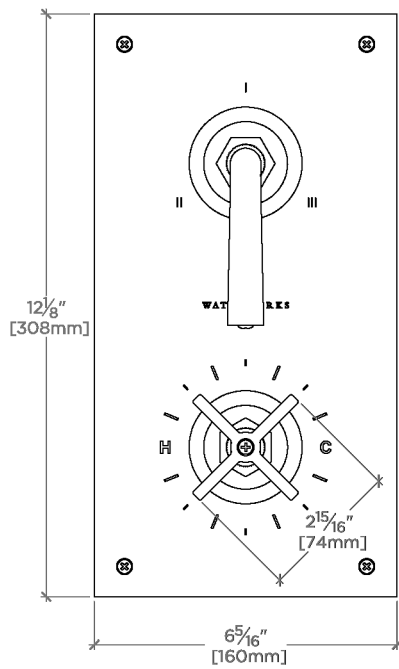
HTH513

Henry Integrated Thermostatic and Three Way Diverter Trim with Coin Edge Cross and Lever Handles



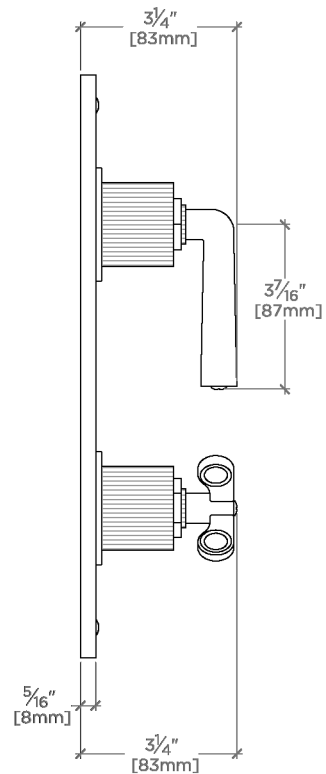
TOP VIEW

SCALE: 3"=1'-0"



FRONT VIEW

SCALE: 3"=1'-0"



SIDE VIEW

SCALE: 3"=1'-0"