

JULIA

JUS165

Julia 6" Showerhead with 8" Wall Mounted 45 Degree Shower Arm



SHOWN IN JULIA 6" SHOWERHEAD WITH 8" WALL MOUNTED 45 DEGREE SHOWER ARM | JUS165

TECHNICAL DETAILS

Adjustable Versus Fixed Spray: Fixed
 Fittings Hole Diameter: 1 1/4"
 Flow Restriction Options: 1.5, 1.75, 2.0
 Inlet Connection Size: 1/2"
 Inlet Connection Type: Male NPT
 Pivot: Y
 Primary Material: Brass
 Restricted Maximum Flow Rate: 1.75 gpm
 Water Pressure Maximum: 85.0 psi
 Water Pressure Minimum: 20.0 psi
 Water Pressure Recommended: 45.0 psi

INSPIRATION

An interpretation of 1920s French country, Julia speaks to decoration and intricate design displayed through beautifully composed turnings. These details embody the robust, signature high profile spout enabling Julia to transition fluidly from informal to formal environments.

CODES & STANDARDS

JUS165X, ASME A112.18.1/CSA B125.1, CEC(1.5GPM & 1.75GPM Only), WaterSense(1.5GPM, 1.75GPM & 2.0GPM Only), DOE, State of MA

PRODUCT FEATURES

- Made of Brass
- Features a swivel 6" showerhead with easy clean rubber nozzles
- Includes a 8" wall mounted 45 degree shower arm
- Stocked in Brass, Chrome, Nickel and Matte Nickel
- Showerhead available in 1.75gpm (6.6L/min) flow rate

CERTIFICATIONS



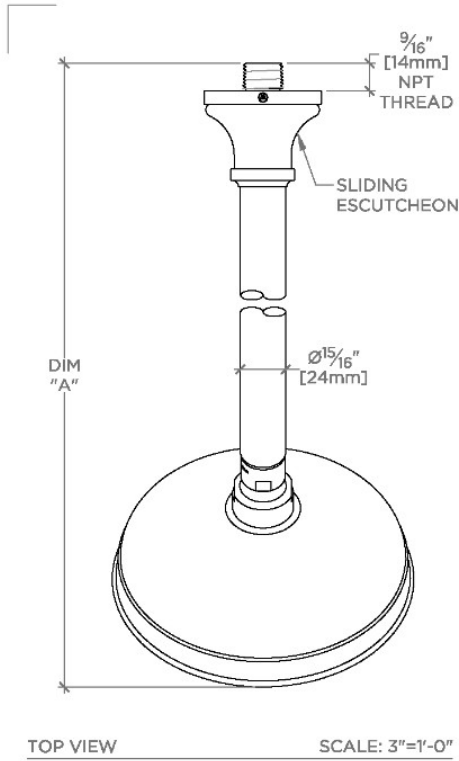
PRODUCT (NOTES)

WATERWORKS

JULIA

JUS165

Julia 6" Showerhead with 8" Wall Mounted 45 Degree Shower Arm



STYLE NO.	DIM "A"	DIM "B"
ETS165		
FRS165	13 ¹ / ₈ " [334mm]	8 ¹ / ₄ " [209mm]
JUS165		
ETS166		
FRS166	15 ¹ / ₈ " [384mm]	10 ¹ / ₄ " [260mm]
JUS166		

