

# INSTALLATION GUIDELINES



STYLE No. FRHS05, FRO5HS

Foro Handshower on Hook with Metal Handle

## IMPORTANT:

- To ensure this product is installed properly, you must read and follow these guidelines.
- The owner/user of this product must keep this information for future reference.
- This product must be installed by a professional licensed contractor and must be onsite prior to rough-in, this allows the installer to visualize the installation.
- Be sure your installation conforms to federal, state, and local codes. In the State of Massachusetts, all installations must comply with the rules and regulations set forth within 248 CMR.
- Inspect this product to ensure you have all the parts required for proper installation. Product is sold partially assembled but shown fully disassembled for illustrative and service purposes only.
- Use only a strap wrench or protected/smooth-jaw wrench on any finished surface.
- The use of certain plumber's putty may stain stone or tile surfaces.
- If further assistance is required, please contact Product Support at 1-800-927-2120 Monday through Friday, 8am - 6pm EST.
- Refer to the separate Service Parts Documents for available replacement parts.

## TECHNICAL DETAILS:

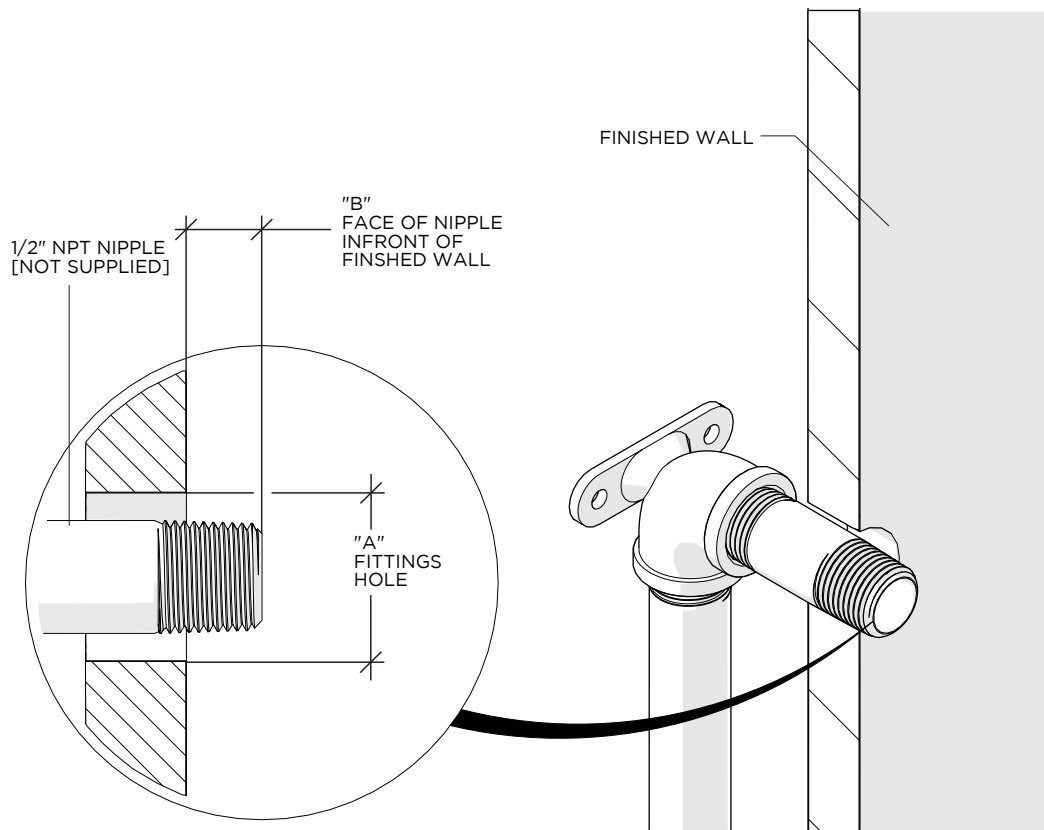
ADJUSTABLE VERSUS FIXED SPRAY	FIXED
DIAMETER OF HEAD	3-1/16" [77mm]
FITTING HOLE DIAMETER	1-3/8" [35mm]
HANDSHOWER HOSE LENGTH	59" [1.5m]
INLET CONNECTION	1/2" FEMALE NPT †
INTEGRATED DIVERTER	NO
PIVOT	NO
WATER PRESSURE RANGE	20psi [1.5 bar] MIN 85psi [6.0 bar] MAX
WATER PRESSURE RECOMMENDED	45psi [3.0 bar]

† UK Style No. **FRO5HS** is supplied with 1 **BSPP** adapter, assembly required.

## ROUGH-IN:

- Determine the ideal location for the HANDSHOWER and rough-in a well supported 1/2" NPT NIPPLE (not supplied).
- Adequate blocking in the wall is required.

DIMENSION	VALUE
A	1-3/8" [35mm]
B	1/2" [13mm]

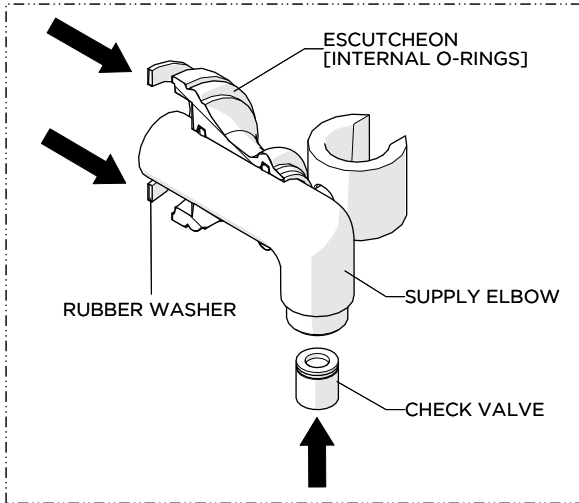


# INSTALLATION GUIDELINES



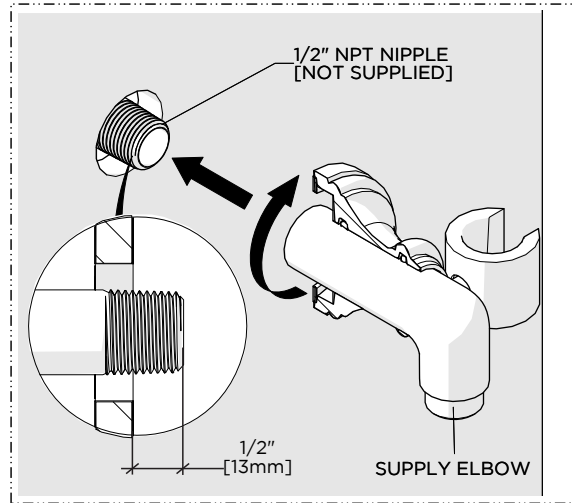
STYLE No. FRHS05, FRO5HS

Foro Handshower on Hook with Metal Handle

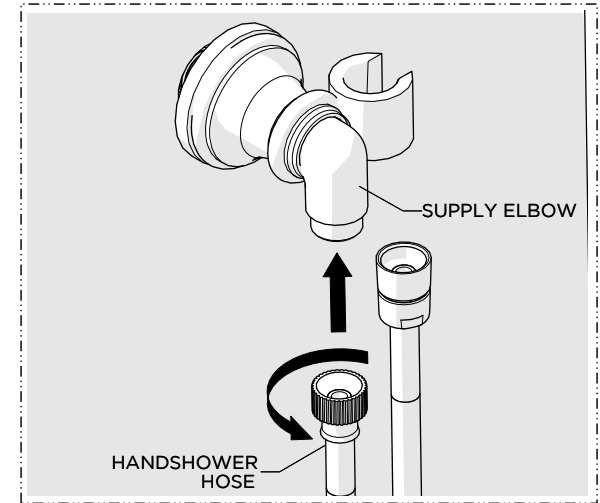


1. Slide the ESCUTCHEON and RUBBER WASHER onto the SUPPLY ELBOW.

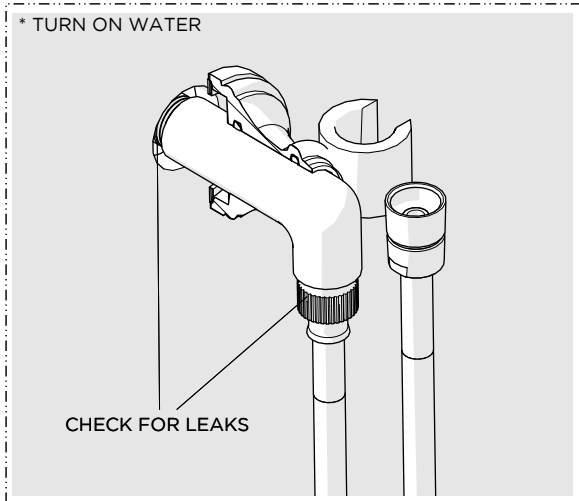
**NOTE:** A CHECK VALVE is located in the outlet of the ELBOW.



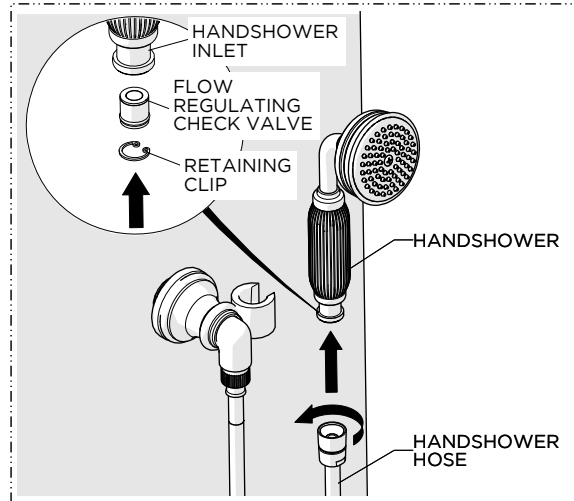
2. Ensure the 1/2" NPT NIPPLE (not supplied) projects 1/2" [13mm] from the surface of the finished wall then thread and securely tighten the SUPPLY ELBOW onto the NIPPLE.



3. Thread and securely tighten the knurled end of the HOSE to the ELBOW.

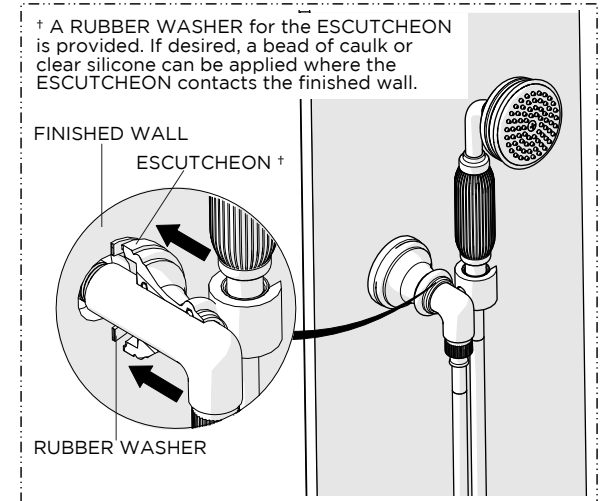


4. Turn on the water and a diverter/wall valve (sold separately) to flush out any debris in the supply line and inspect all connections for leaks then turn the water off.



5. Thread and securely tighten the conical end of the HOSE to the HANDSHOWER.

**NOTE:** A FLOW REGULATING CHECK VALVE is located in the inlet of the HANDSHOWER.



6. Slide the ESCUTCHEON up the ELBOW until it contacts the finished wall.