

Rein

REIN01

Rein Freestanding Solid Surface Bathtub 72" x 36" x 24"



SHOWN IN REIN FREESTANDING SOLID SURFACE BATHTUB 72" X 36" X 24" | REIN01

TECHNICAL DETAILS

Adjustable Levelers Feet: N
 Bathing Type: Bathing and Soaking
 Bathing Well Sitting Angle: 105 degree_angle
 Depth To Overflow: 411 mm
 Drain Hole Depth: 49 mm
 Drain Hole Diameter: 56 mm
 Drilling Option: None
 Installation Type: Freestanding
 Overflow Hole Diameter: 70 mm
 Overflow Opening: Yes
 Primary Material: stone
 Single Or Double Ended: Double Ended
 Suggested Application: Bath

INSPIRATION

From the Latin for kidney, Rein echoes the contours of the human form - an organic curve designed to gently embrace the tub filler. Together, they compose a singular, harmonious silhouette. Transitional in spirit, immaculate in proportion.

CODES & STANDARDS

CSA B45.5/IAPMO Z124

PRODUCT FEATURES

Designed by and exclusive to Waterworks

Refined matte finish with a luxurious soft touch feel

Durable, scratch resistant, and seamless repairability

An organic curve designed to gently embrace the tub filler
 Required Drain and Overflow: UNWO25

CERTIFICATIONS



PRODUCT (NOTES)

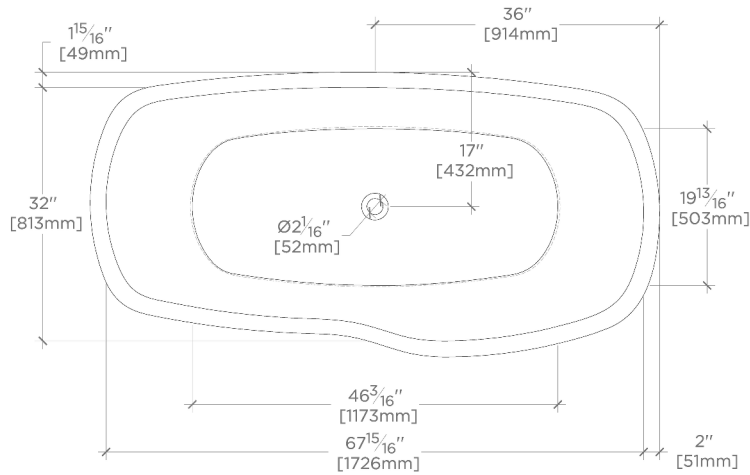
WATERWORKS

Rein

REIN01

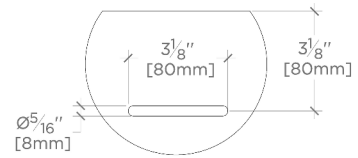
Rein Freestanding Solid Surface Bathtub 72" x 36" x 24"

REQUIRED DRAIN UNWO25

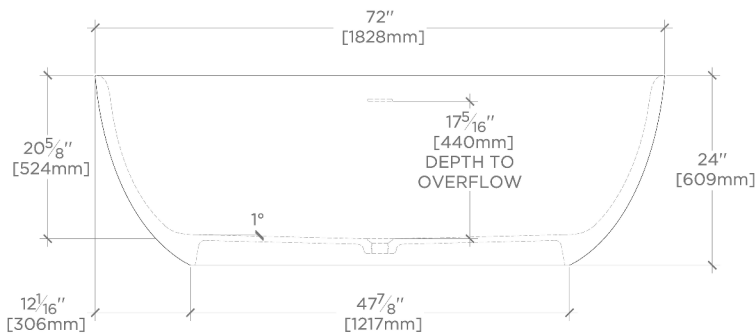


TOP VIEW

SCALE: 1/2"=1'-0"

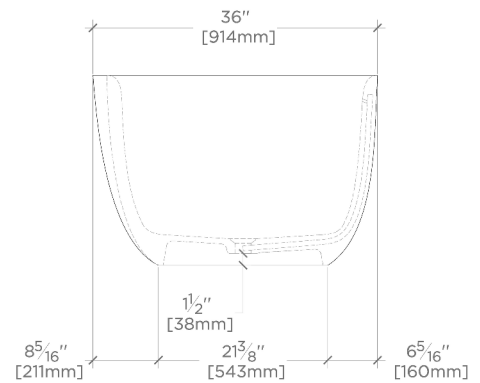


OVERFLOW DETAIL



SIDE VIEW

SCALE: 1/2"=1'-0"



END VIEW

SCALE: 1/2"=1'-0"