

FORMWORK

FMKM10

Formwork One Hole High Profile Kitchen Faucet, Metal Joystick Handle and Spray



SHOWN IN FORMWORK ONE HOLE HIGH PROFILE KITCHEN FAUCET, METAL JOYSTICK HANDLE AND SPRAY| FMKM10

TECHNICAL DETAILS

Adjustable Shelves: N
 Adjustable versus Fixed Spray: Fixed Spray
 Escutcheon Primary Material: Brass
 Fittings Hole Diameter: 1 1/2"
 Flow Restriction Options: 2.0, 1.75, 1.5
 Handle Turn Angle: Quarter Turn Each Way
 Handshower / Spray Hose Length: 59"
 Depth / Width: 11"
 Height: 10 1/8"
 Inlet Connection Size: 3/8"
 Inlet Connection Type: Compression Adapter
 Integrated Diverter: N
 Number of Handles: One
 Number of Holes: One Hole
 Primary Material: Brass
 Restricted Maximum Flow Rate: 2.2 gpm
 Spout Swivel: Y
 Spray Included in Unit: Y
 Suggested Application: Bar, Kitchen, Laundry
 Valve Material: Ceramic
 Water Pressure Maximum: 85.0 psi
 Water Pressure Minimum: 20.0 psi
 Water Pressure Recommended: 45.0 psi

INSPIRATION

Sculptural forms that defy the ordinary. Unexpected geometry and the transition of the planes create a subtle but warm expression.

CODES & STANDARDS

Code # FMKM10X: Certified with cUPC, NSF, IAPMO, CSA, CEC

PRODUCT FEATURES

Joystick Handle allows for easy, one-handed operation
 Single Hole construction allows for clean, minimalist installations
 Standard flow rate is 2.2gpm (8.3 L/min) and State of California requires a maximum of 1.8gpm(6.8 L/min). Also available in other flow options. Contact a sales associate for details.

CERTIFICATIONS

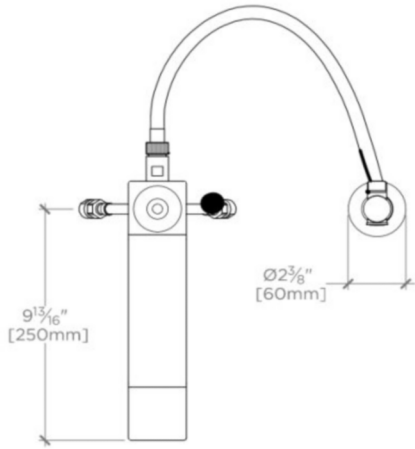


WATERWORKS

FORMWORK

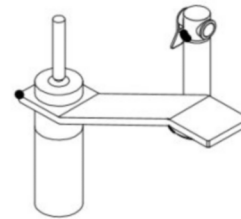
FMKM10

Formwork One Hole High Profile Kitchen Faucet, Metal Joystick Handle and Spray



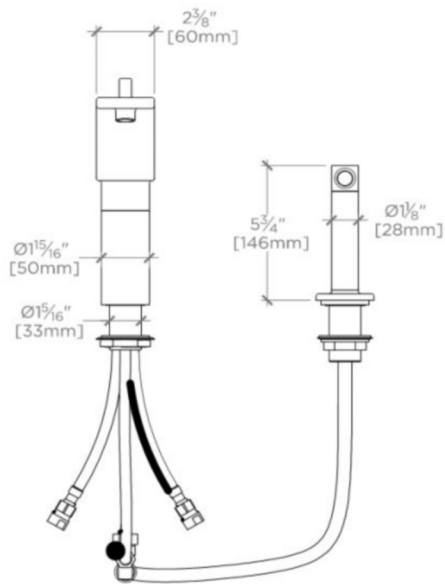
TOP VIEW

SCALE: $1\frac{1}{2}$ "=1'-0"



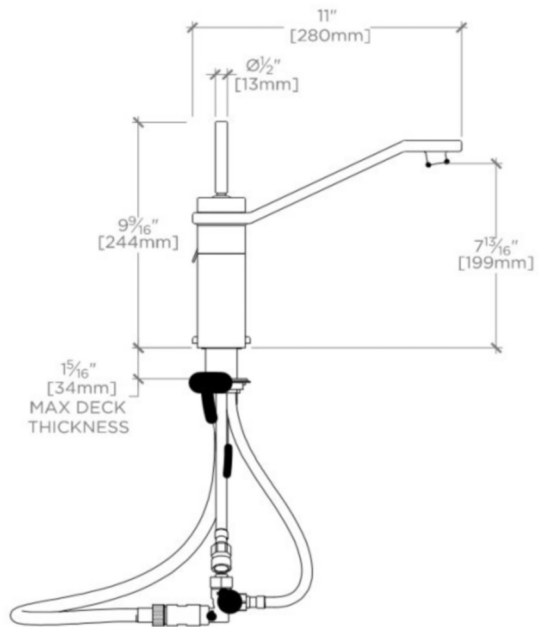
ISO VIEW

SCALE: $1\frac{1}{2}$ "=1'-0"



FRONT VIEW

SCALE: $1\frac{1}{2}$ "=1'-0"



SIDE VIEW

SCALE: $1\frac{1}{2}$ "=1'-0"