

HENRY

HTF112

Henry Concealed Tub Filler with Handshower and Two Tone Lever Handles



SHOWN IN HENRY CONCEALED TUB FILLER WITH HANDSHOWER AND TWO TONE LEVER HANDLES | HTF112

TECHNICAL DETAILS

ADA Compliance: No
 Deck Thickness Maximum: 2 1/8"
 Deck Thickness Minimum: 1/2"
 Fittings Hole Diameter: 1 3/8"
 Handle Spread Minimum: 8"
 Handle Turn Angle: Quarter Turn
 Handshower Spray Hose Length: 60"
 Inlet Connection Size: 3/4"
 Inlet Connection Type: Male NPT
 Integrated Diverter: Y
 Number Of Holes: Four Hole
 Primary Material: Brass
 Restricted Maximum Flow Rate: 1.75 gpm
 Valve Material: Brass and Ceramic
 Water Pressure Maximum: 85.0 psi
 Water Pressure Minimum: 20.0 psi
 Water Pressure Recommended: 45.0 psi

INSPIRATION

Influenced by the connection of industry and art Henry easily transitions between modern, traditional, utilitarian and classic settings.

CODES & STANDARDS

HTF112-F.RX, ASME A112.18.1/CSA B125.1, CEC(1.5GPM & 1.75GPM Only), WaterSense(1.5GPM & 1.75GPM Only), DOE, State of MA

PRODUCT FEATURES

Features Two Tone Lever Handles

Solid Brass Construction

Diverter Knob Allows Bather to Move Water From Spout to Handshower

Stocked in Nickel/Dark Nickel and Brass/Dark Nickel

Unrestricted Flow for Tub Spout. Handshower Available in 1.75gpm (4.5L/min) Flow Rate

CERTIFICATIONS



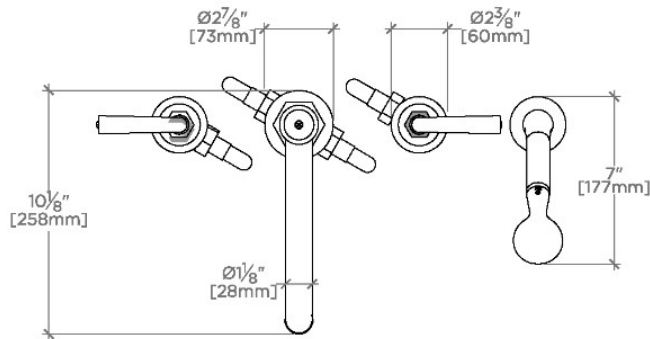
PRODUCT (NOTES)

WATERWORKS

HENRY

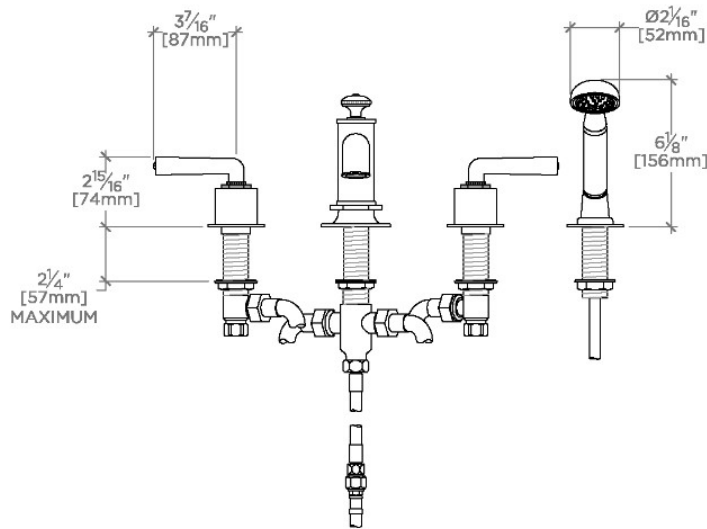
HTF112

Henry Concealed Tub Filler with Handshower and Two Tone Lever Handles



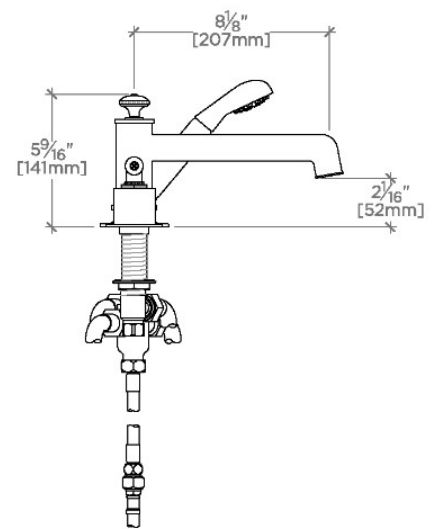
TOP VIEW

SCALE: $1\frac{1}{2}"=1'-0"$



FRONT VIEW

SCALE: $1\frac{1}{2}"=1'-0"$



SIDE VIEW

SCALE: $1\frac{1}{2}"=1'-0"$