

## Henry

HTH503

Henry Integrated Thermostatic and Three Way Diverter Trim with Coin Edge Cross Handles



SHOWN IN HENRY INTEGRATED THERMOSTATIC AND THREE WAY DIVERTER TRIM WITH COIN EDGE CROSS HANDLES | HTH503

### TECHNICAL DETAILS

ADA Compliance: Yes  
 Fittings Hole Diameter: 64 mm  
 Integrated Diverter: Y  
 Number Of Holes: Two Hole  
 Primary Material: Brass

### INSPIRATION

Influenced by the connection of industry and art Henry easily transitions between modern, traditional, utilitarian and classic settings.

### CODES & STANDARDS

ASME A112.18.1/CSA B125.1, State of MA

### PRODUCT FEATURES

Coin Edge Cross Handles

Allows bather to adjust temperature of all waterway outlets with a hot limit safety stop providing anti-scald protection

Stocked in Brass, Chrome, Nickel and Dark Nickel

Requires valve rough sold separately

### CERTIFICATIONS

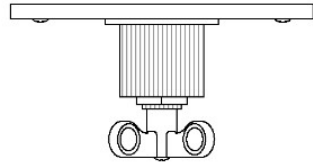


### PRODUCT (NOTES)

## Henry

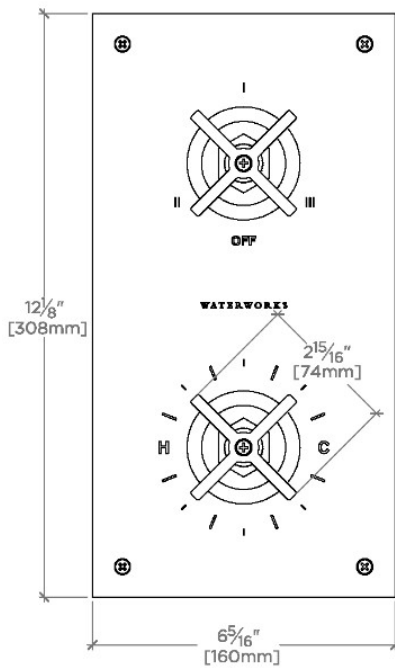
HTH503

Henry Integrated Thermostatic and Three Way Diverter Trim  
with Coin Edge Cross Handles



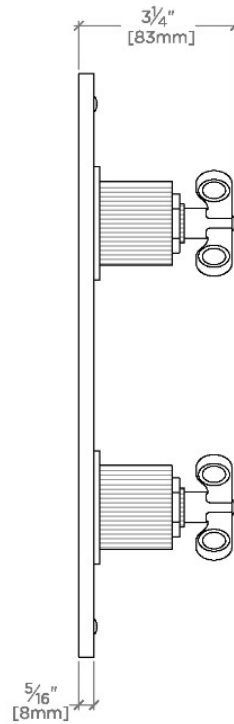
TOP VIEW

SCALE: 3"=1'-0"



FRONT VIEW

SCALE: 3"=1'-0"



SIDE VIEW

SCALE: 3"=1'-0"